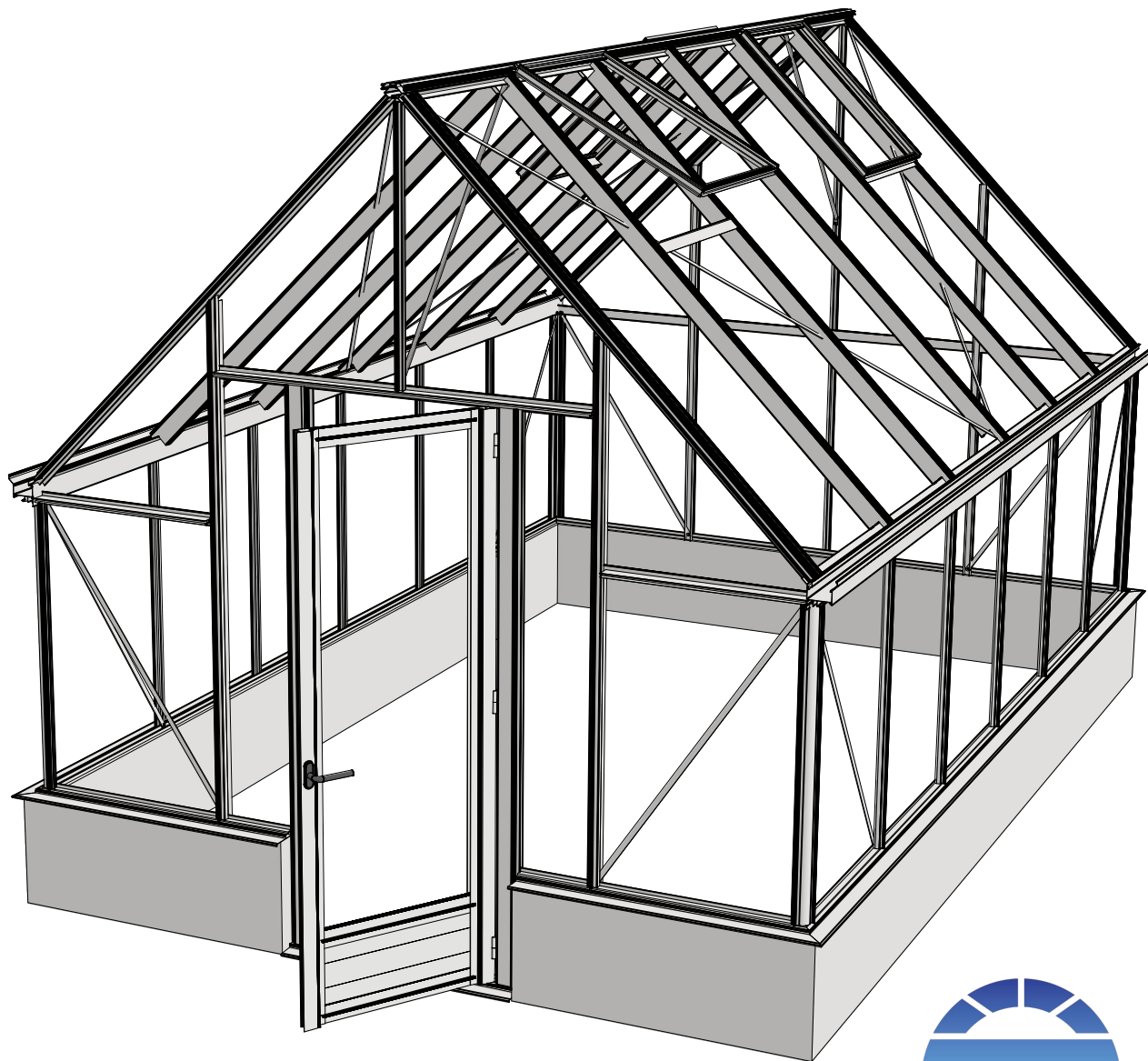
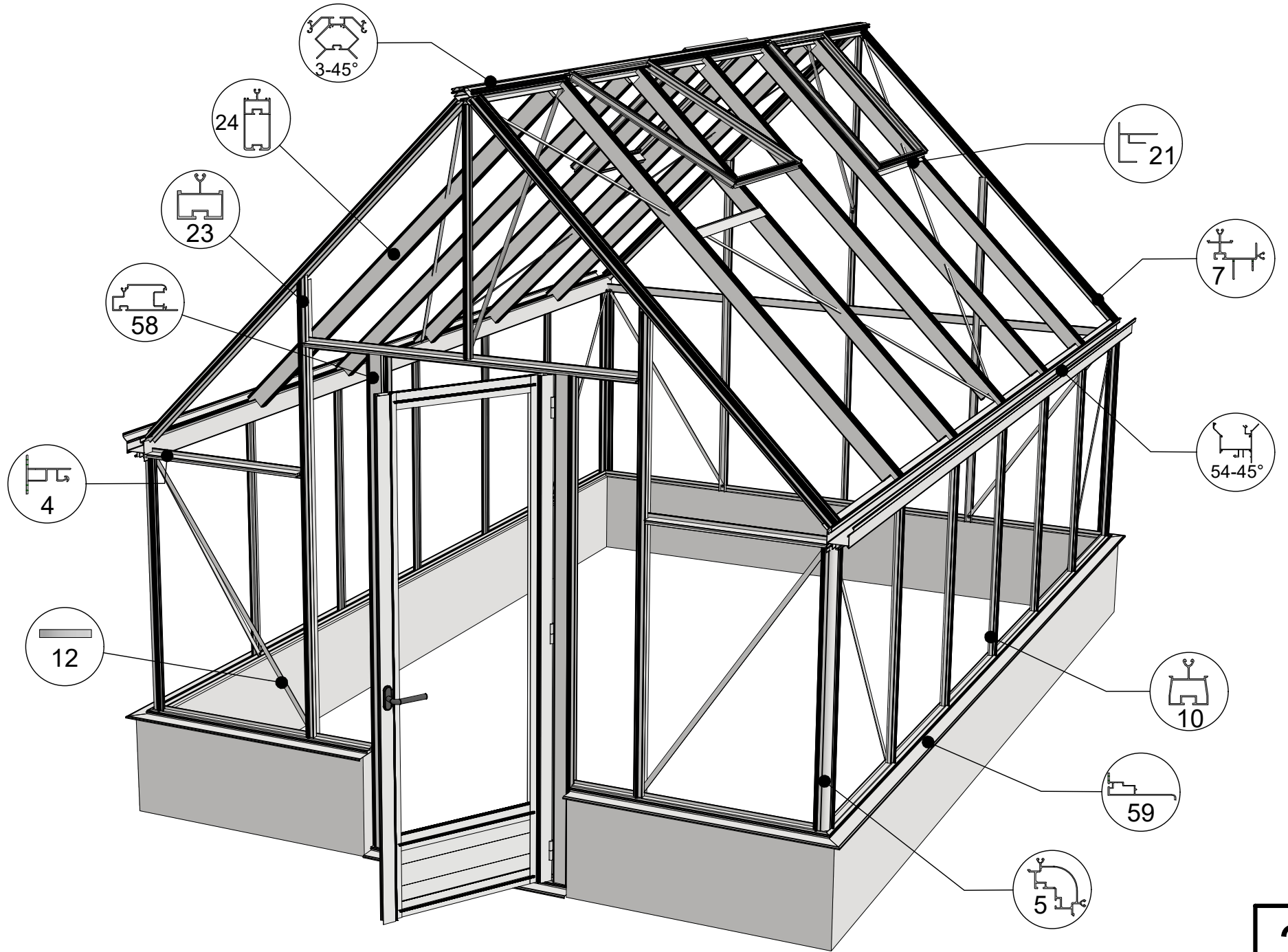


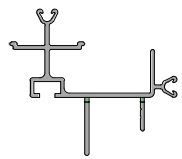
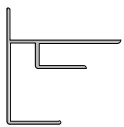
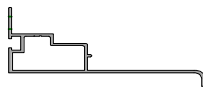
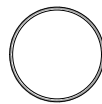
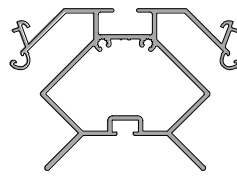


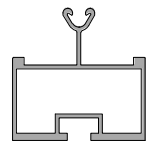
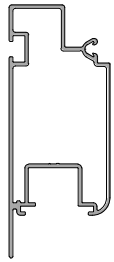
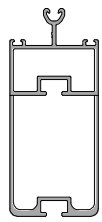
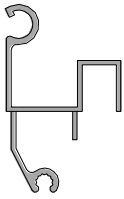
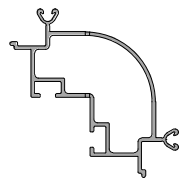
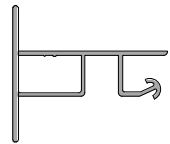
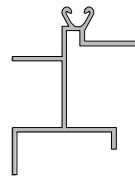
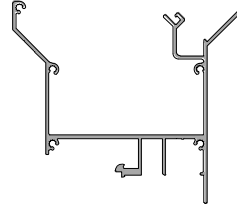
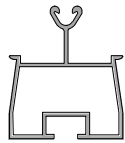
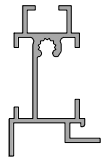
Euro-Rustiq 3,09 on wall.



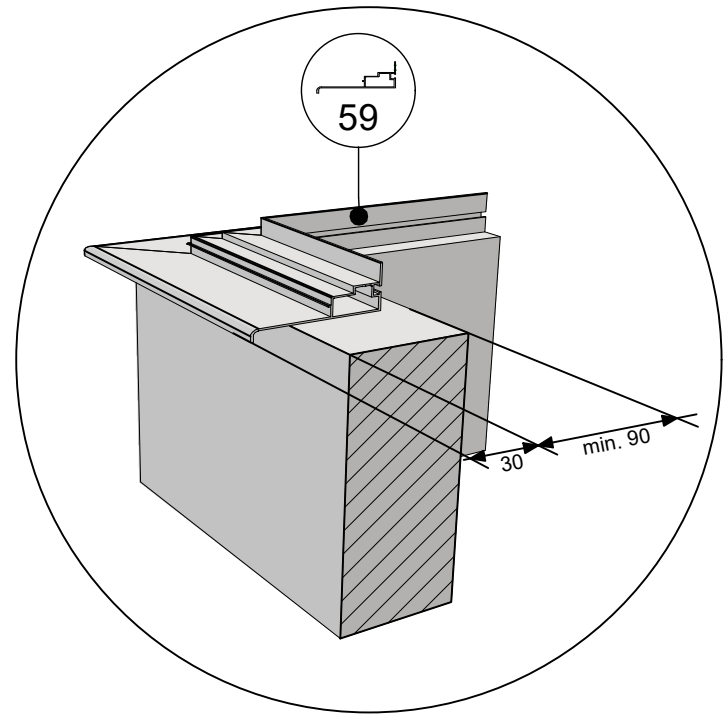
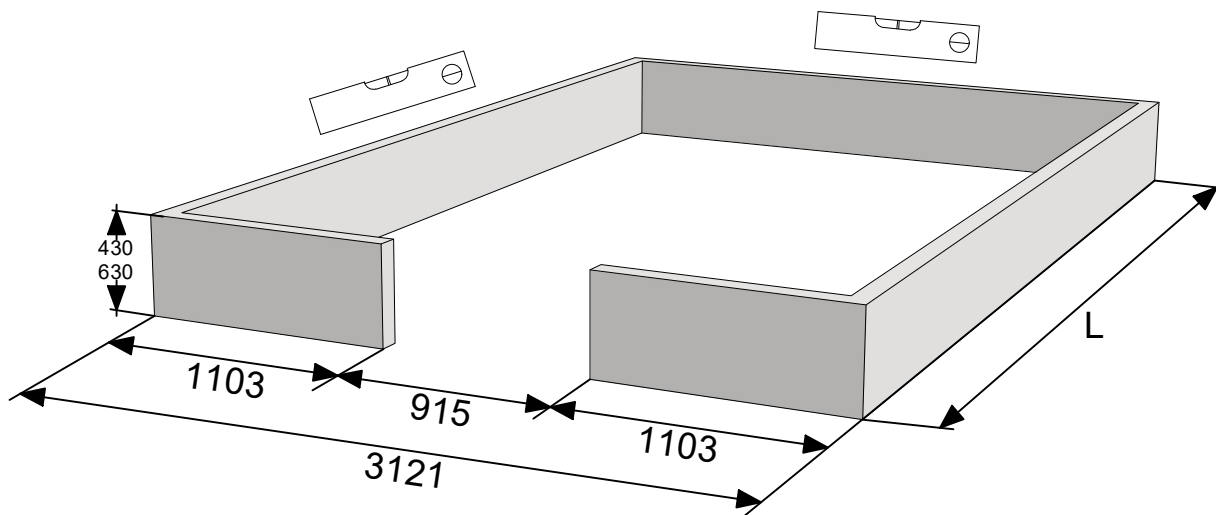
14-11-2023

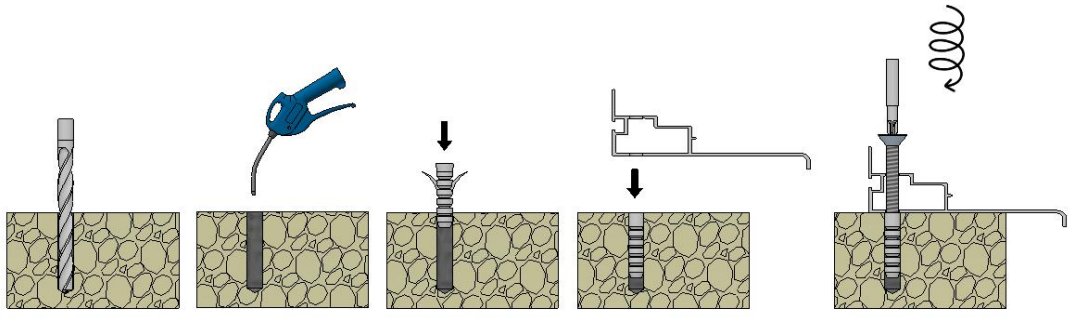



Profile list

Profile list											
-	NR	Profile NR	-	NR	Profile NR	-	NR	Profile NR	-	NR	Profile NR
	7	7151		21	2977		59	9249		40	B 50
	3-45°	15732		27	B 18		12	7070		23	17703
	58	12960		24	10968 U		18	17542			
	5	17548		4	17549		19	17543			
	54-45°	17540		10	17541		20T	28513			

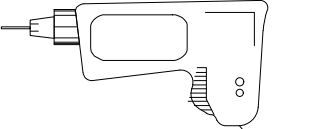
- Attention! Check inside the foundation for more profiles.
- Please fasten screws and nuts hand-tight.
  
- Achtung! Prüfen sie das fundament für weitere profile.
- Schraube und Mutter bitte handfest festziehen.
  
- Opgelet! kijk in de fundering voor andere profielen.
- Bout en moer a.u.b. handvast aandraaien.
  
- Attention! Regarde à l'intérieur du fondation pour plussier profils.
- Serrez les écrous et vis à la main s.v.p.
  
- Observera at en del profiler ligger i sockelprofilen!!
- Dra åt skruven och muttern handfast.

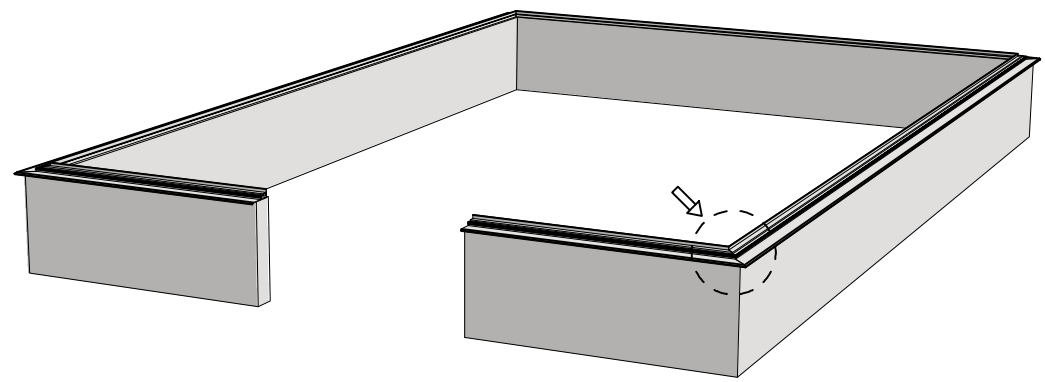
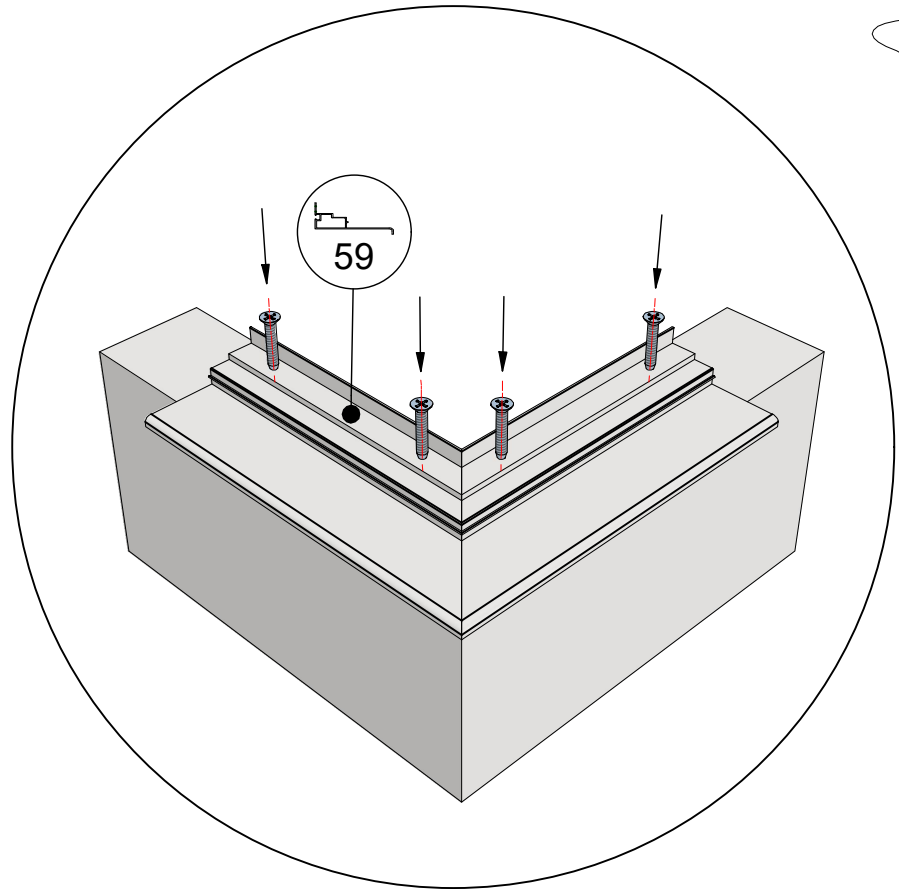
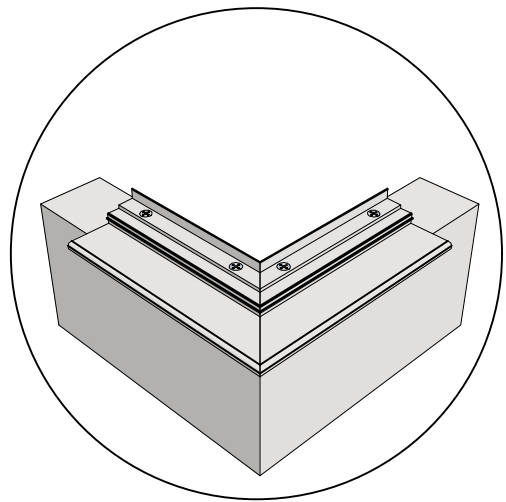


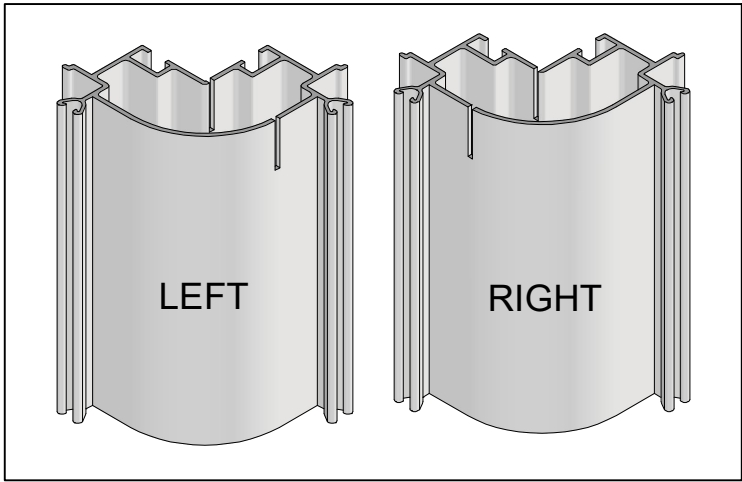


 = 8x40

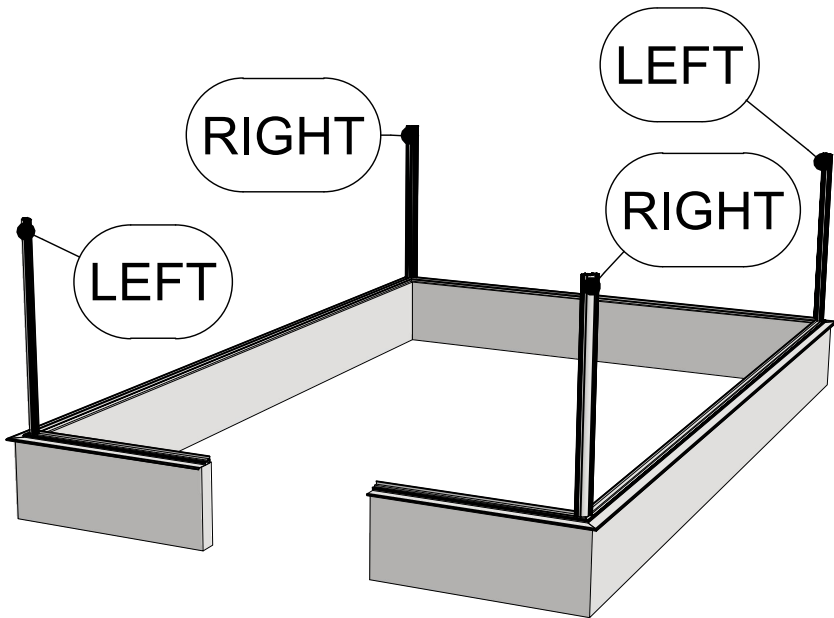
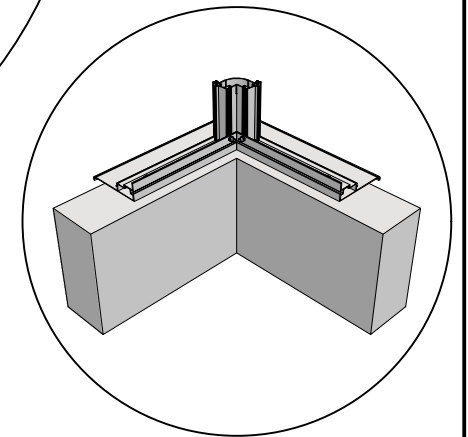
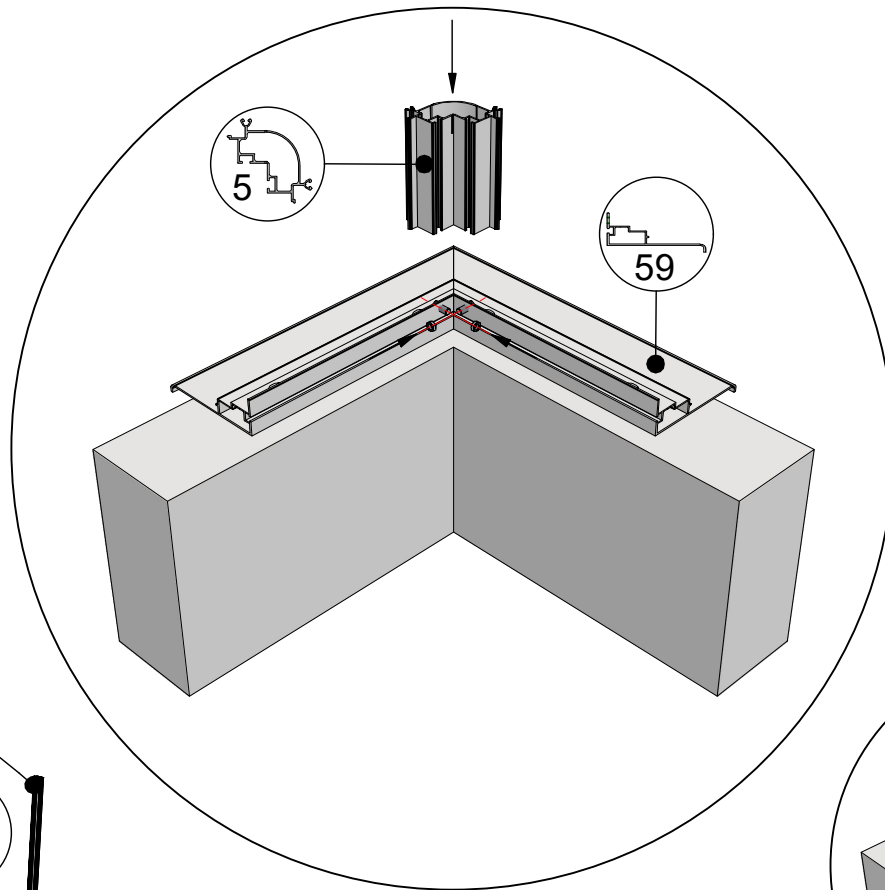
  = 6x120


Ø 8 mm 

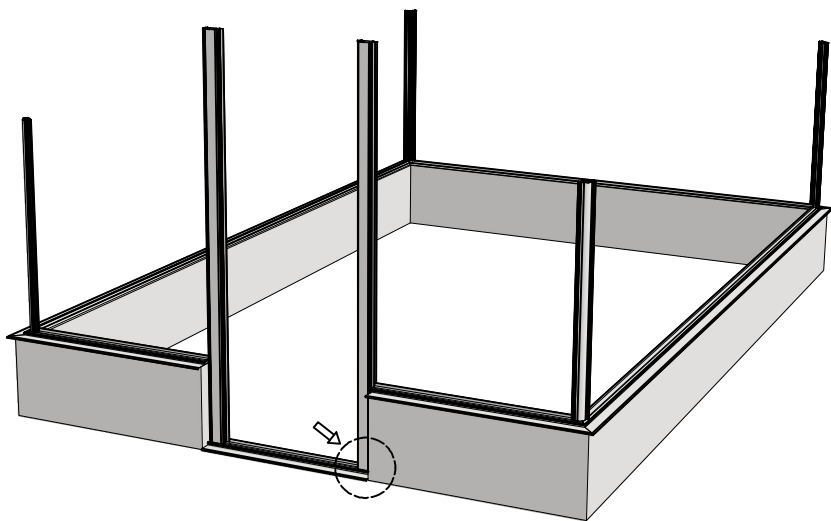
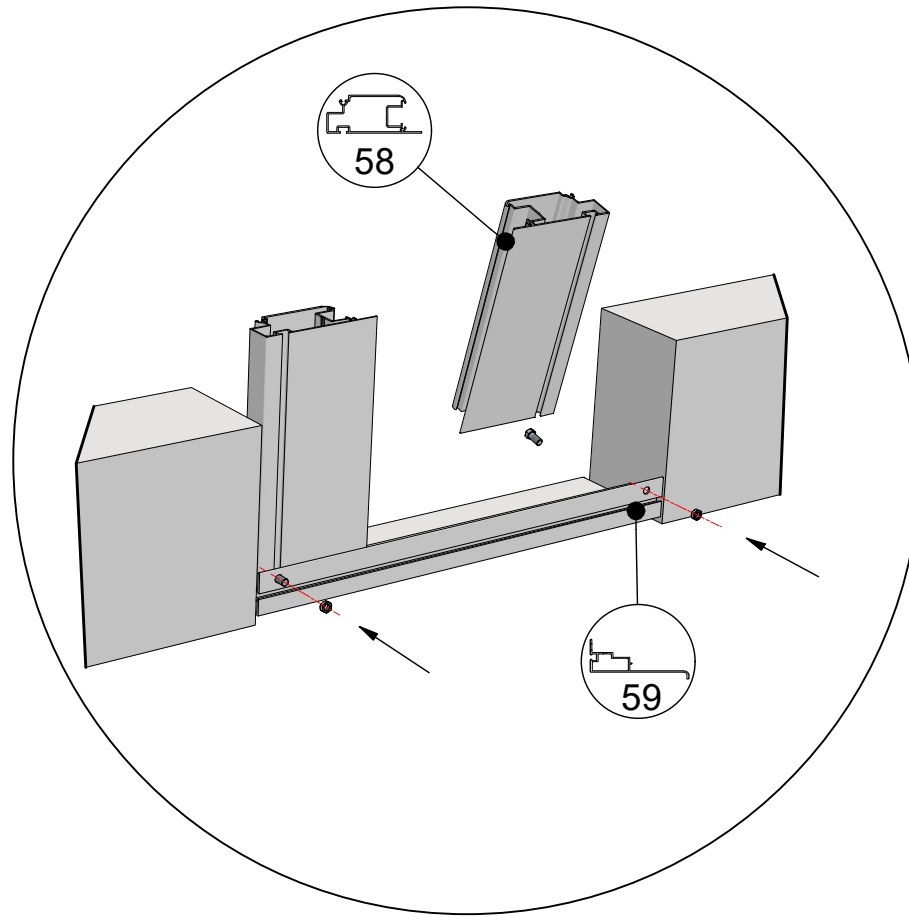
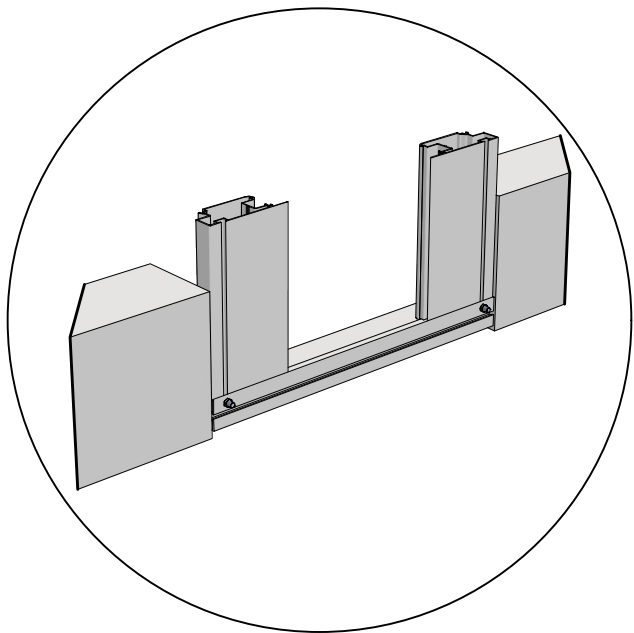




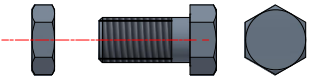
   = M6x12 (8x)

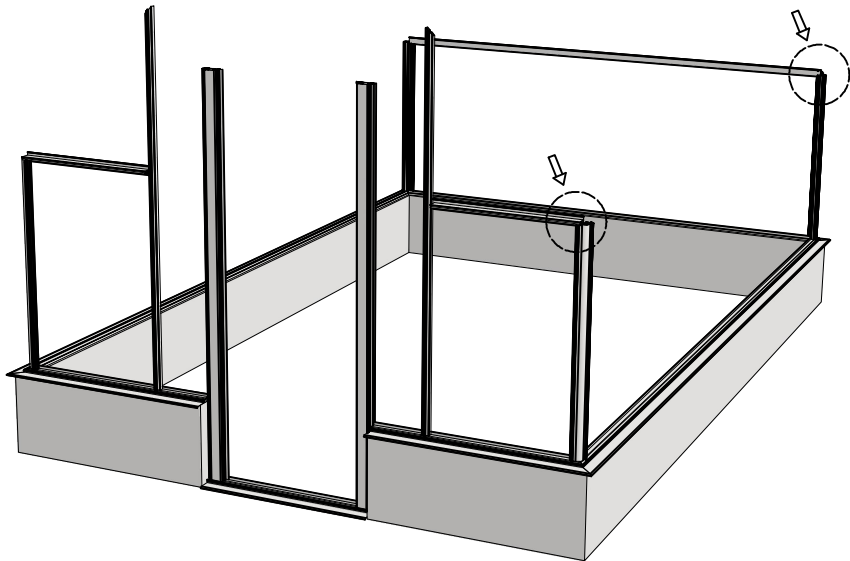
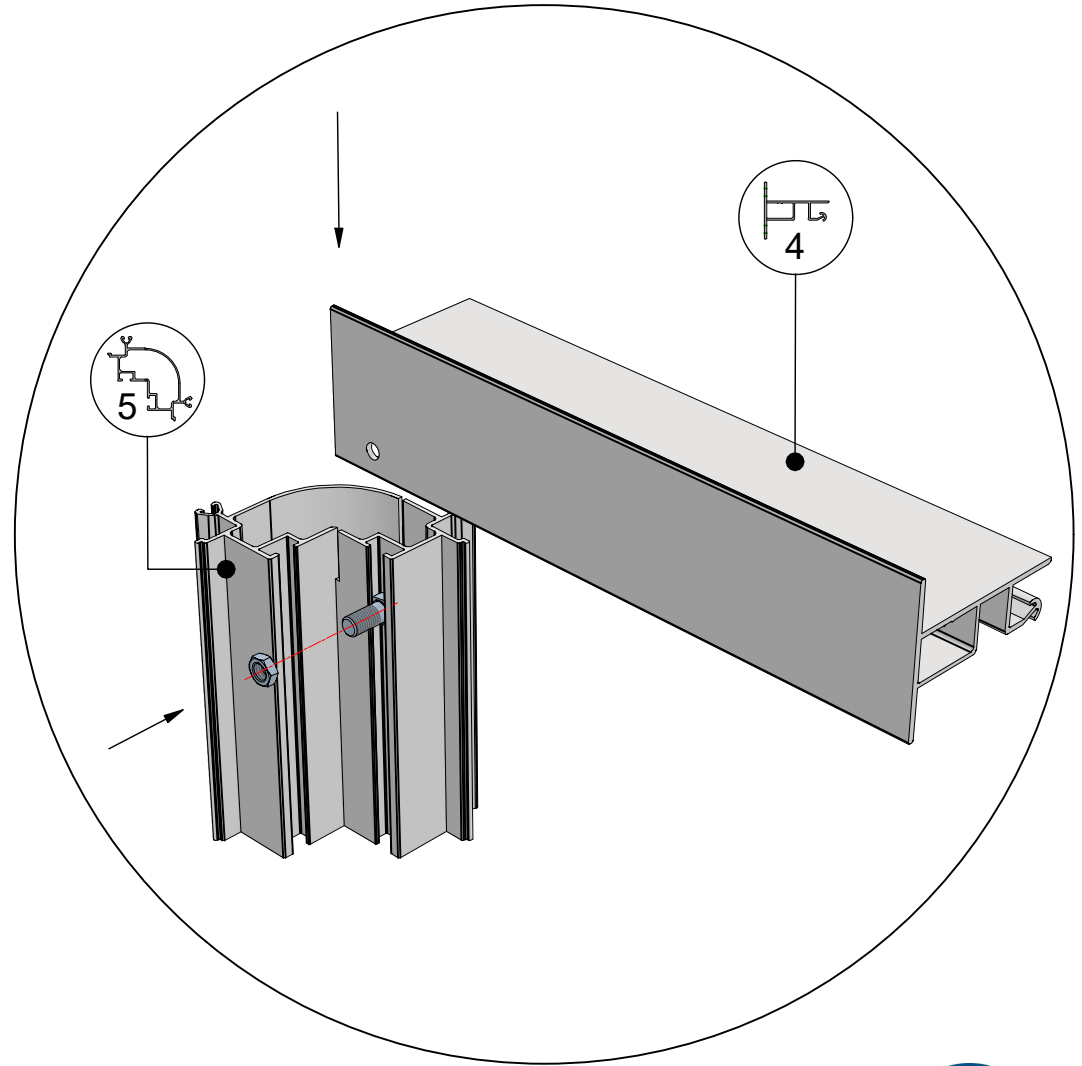
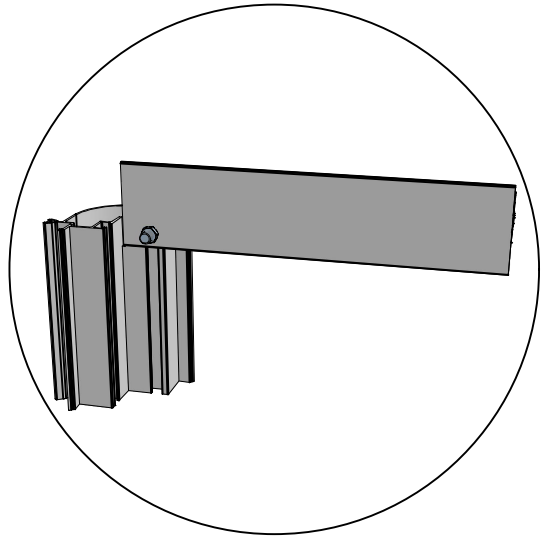


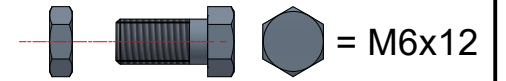
 = M6x12

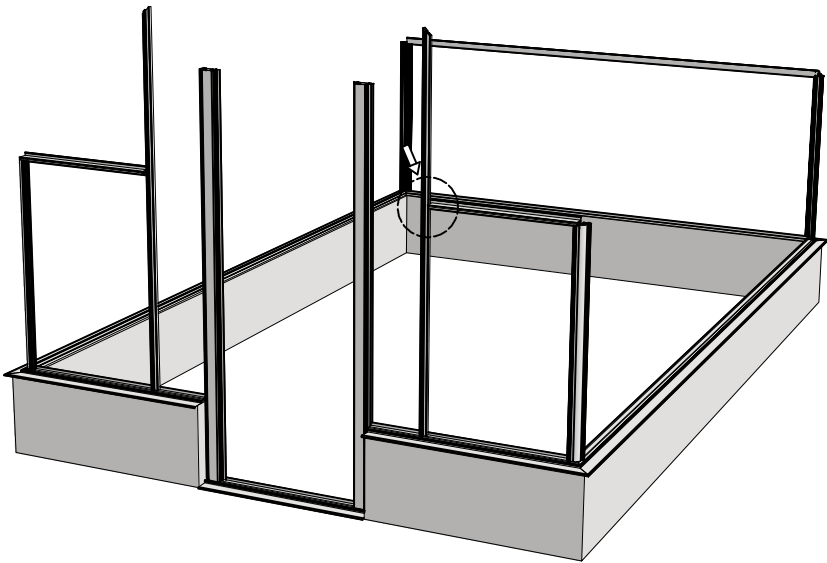
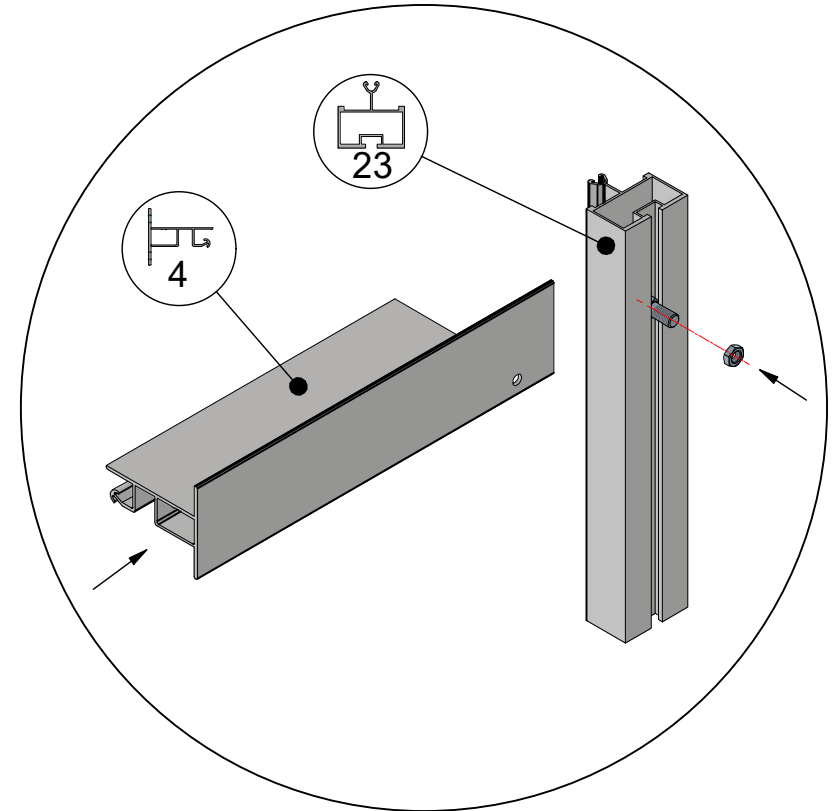
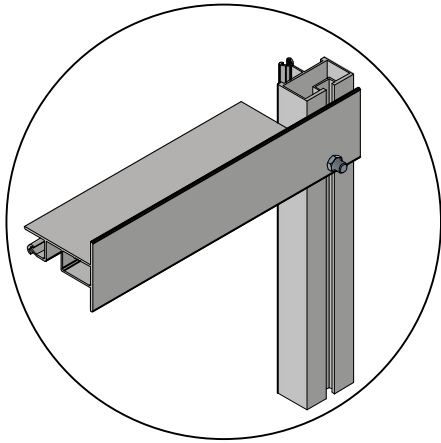




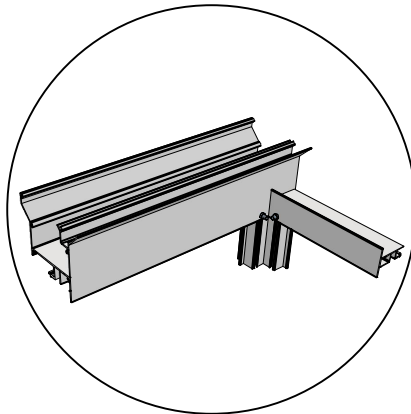
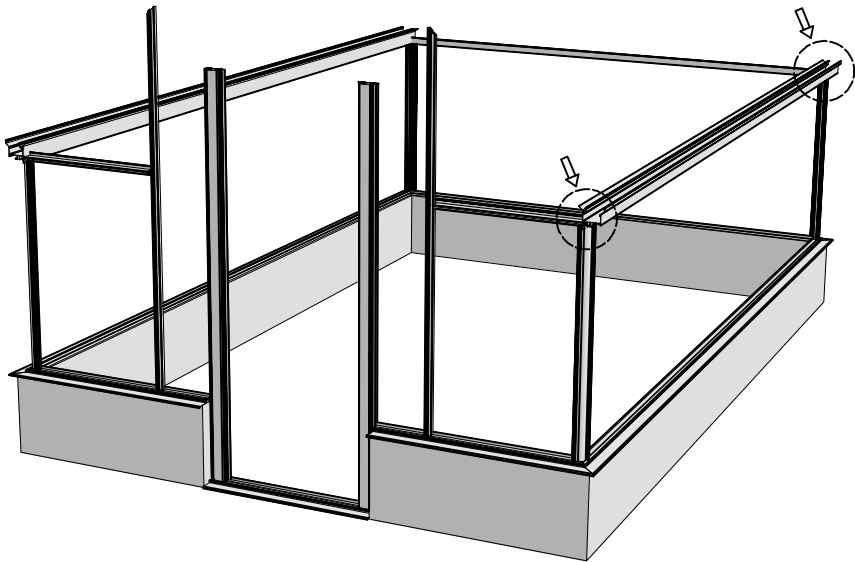
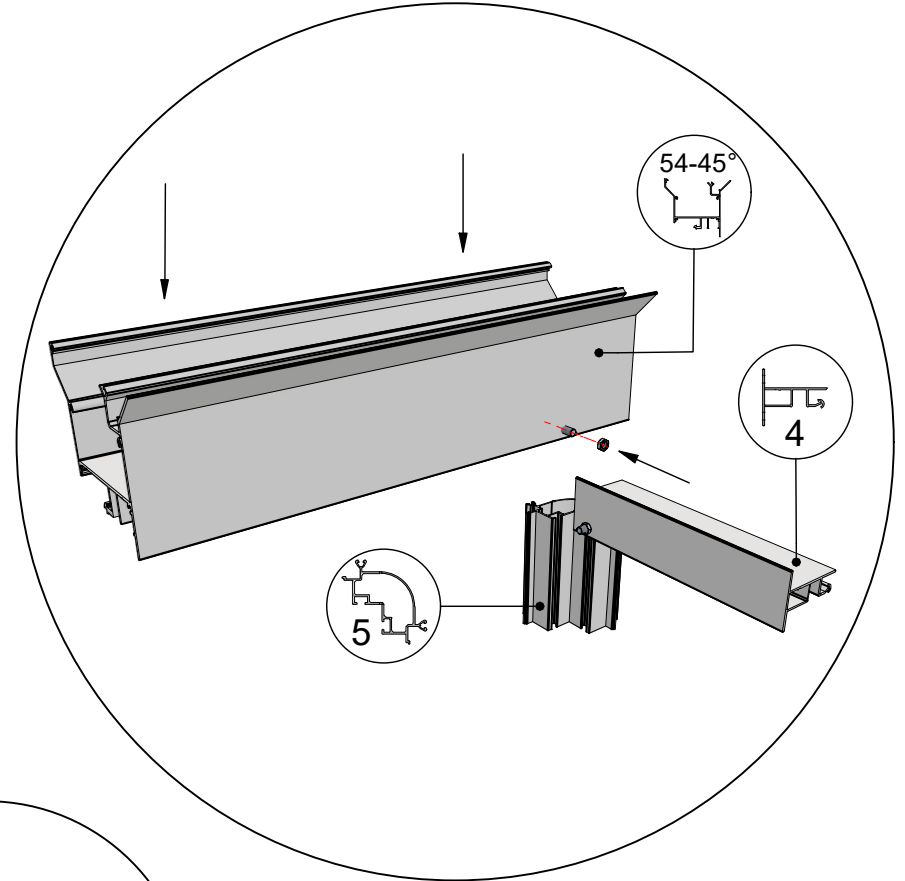
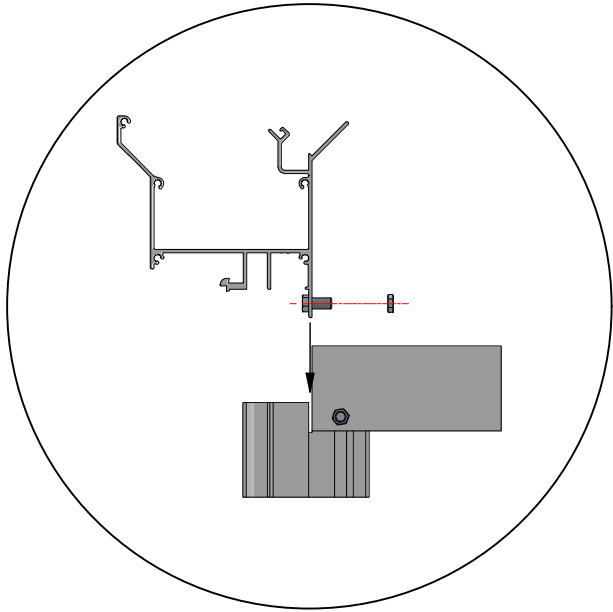
 = M6x12

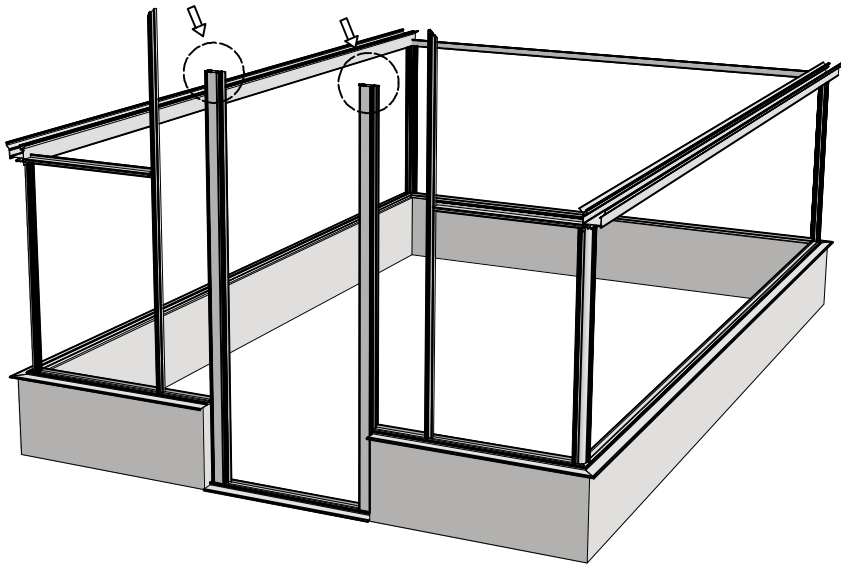
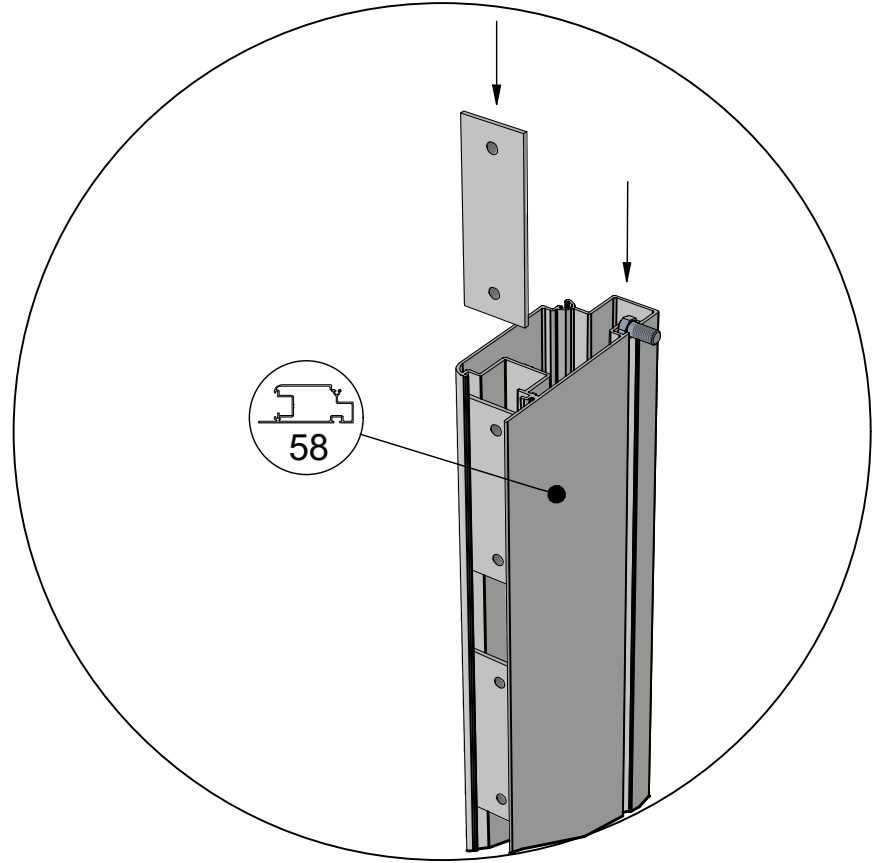
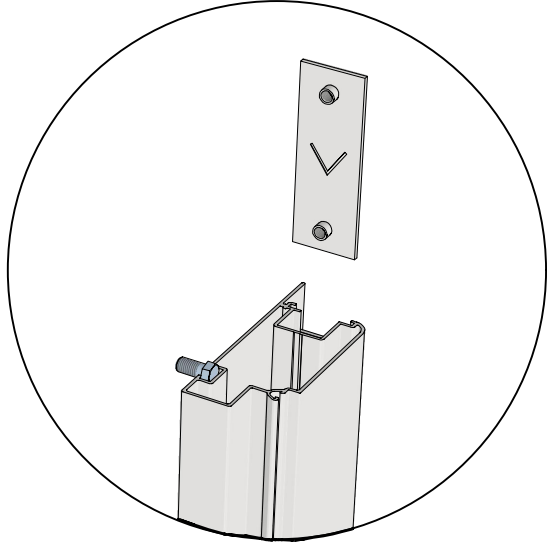


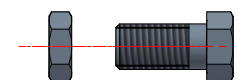
 = M6x12

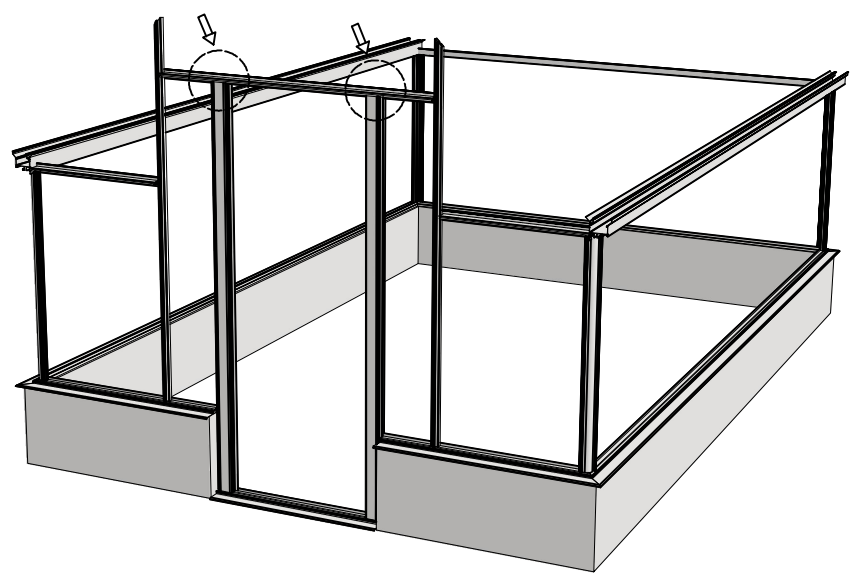
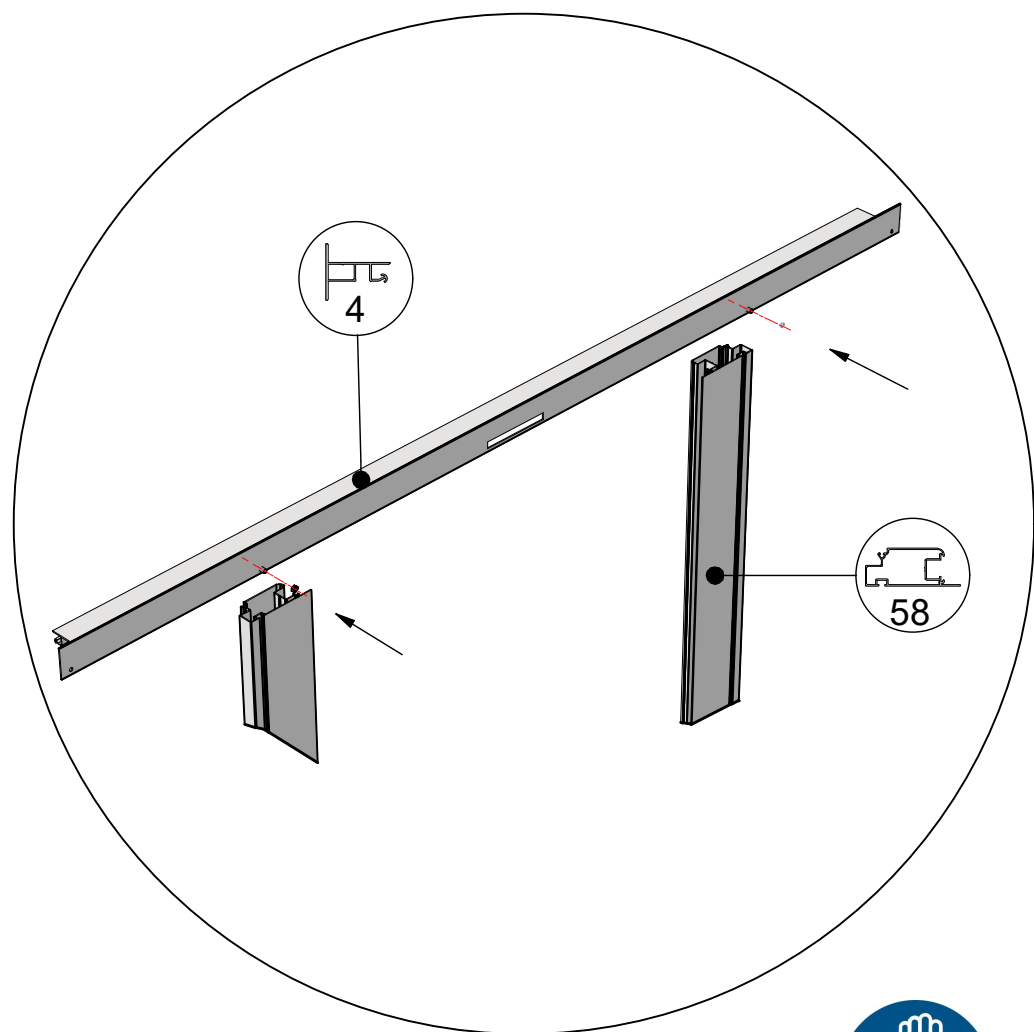
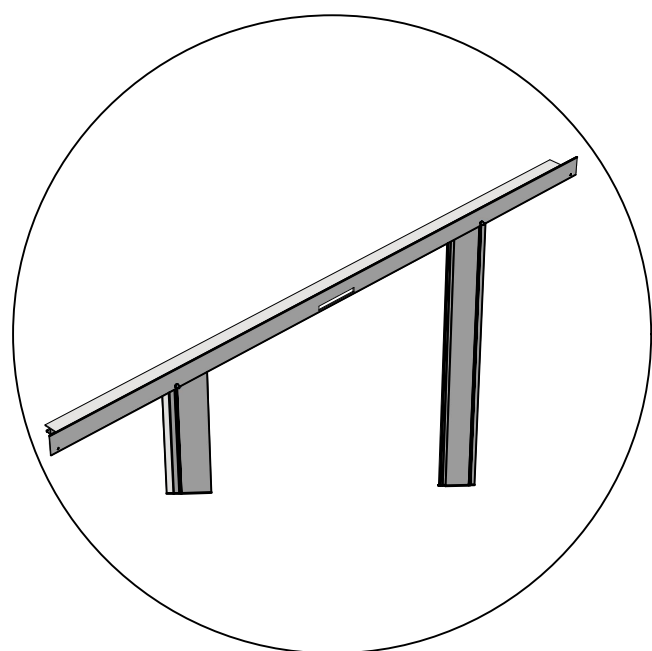



 = M6x12 (4x)

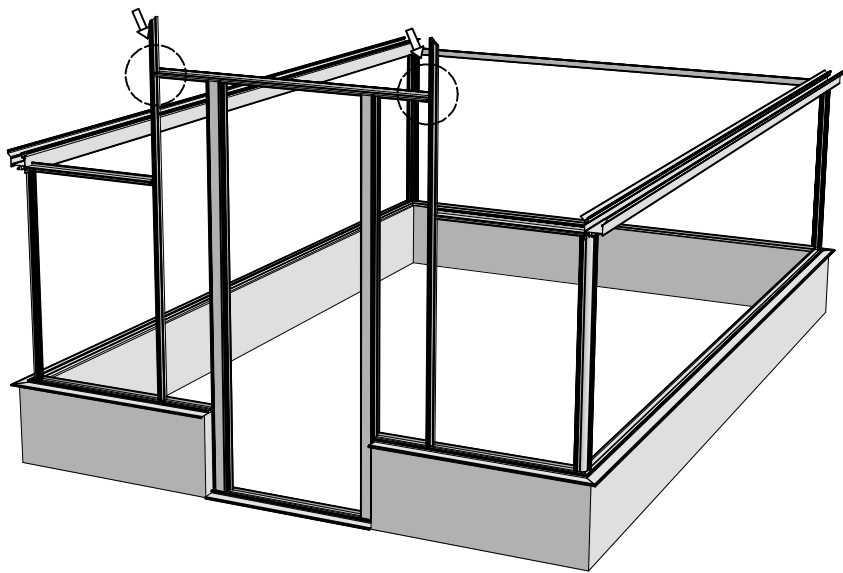
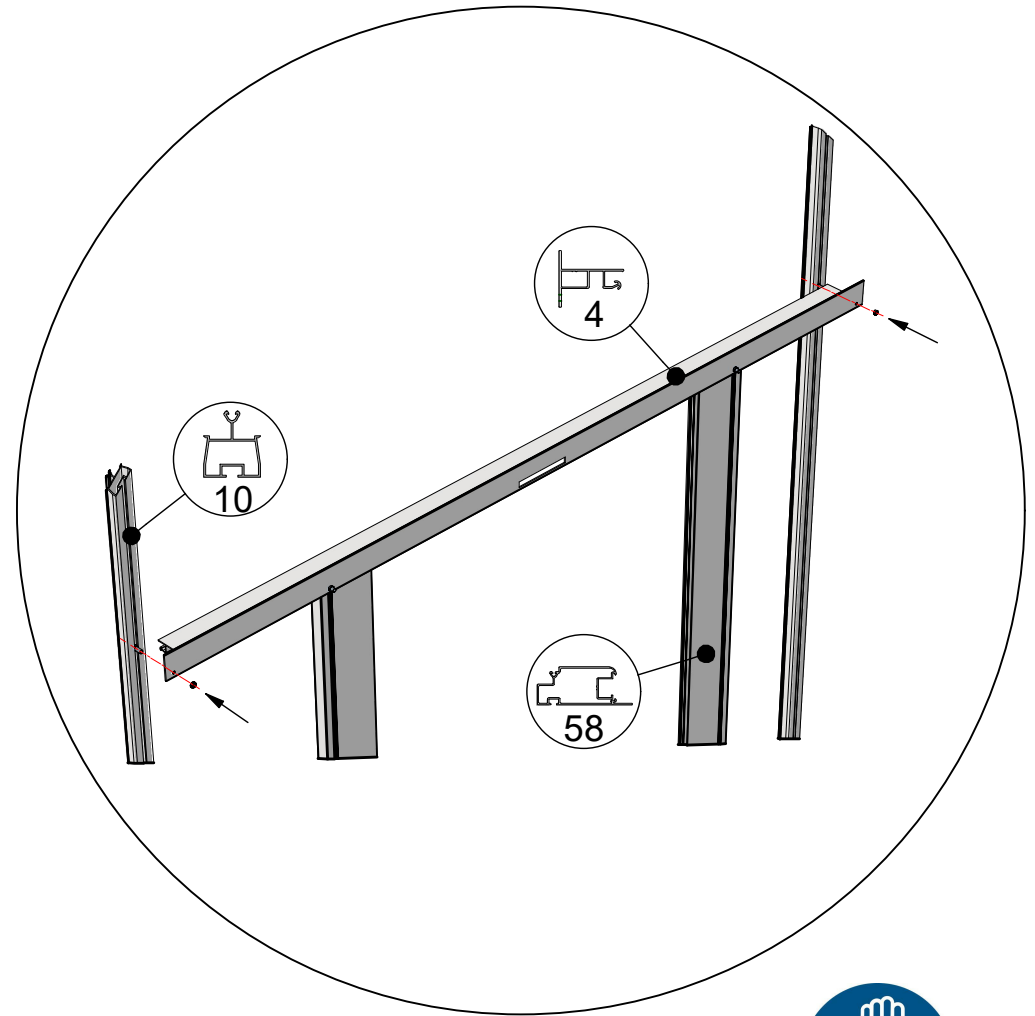
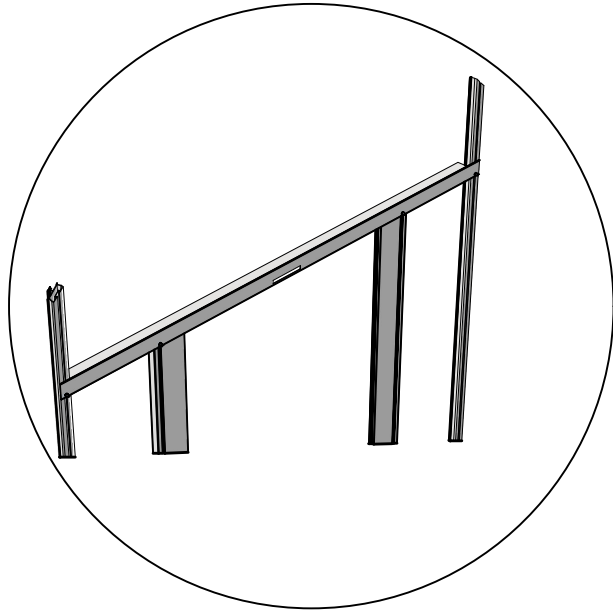





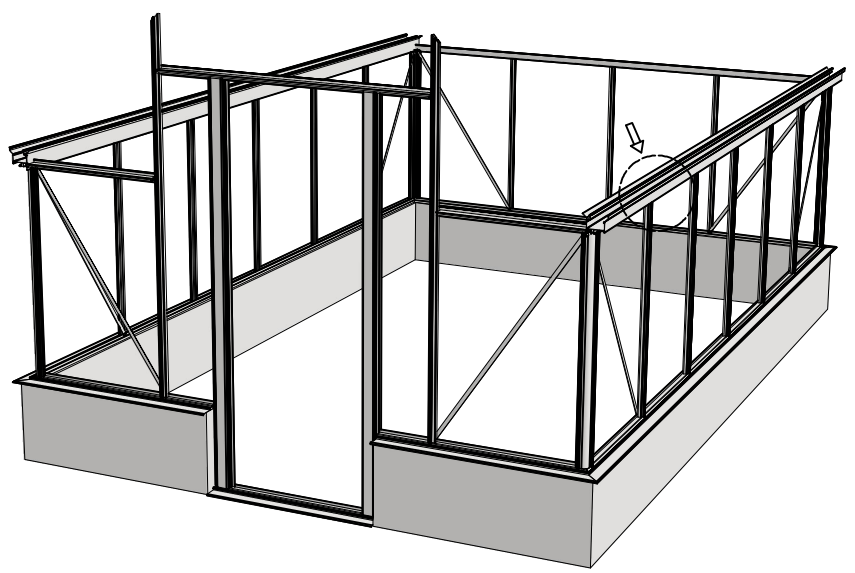
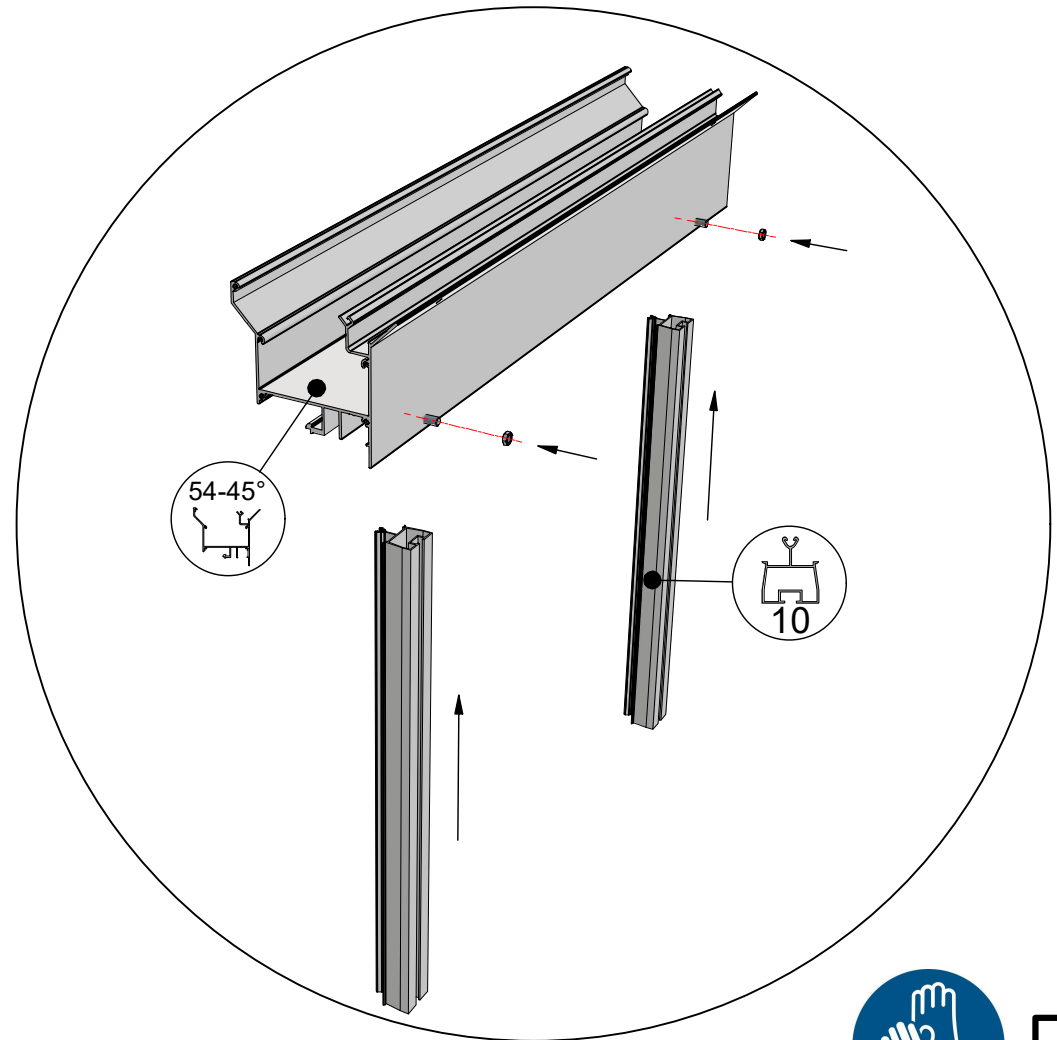
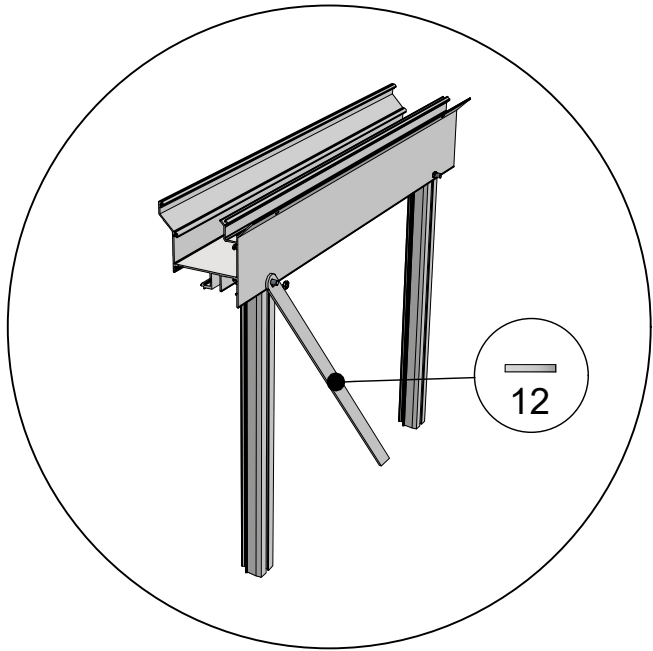
 = M6x12

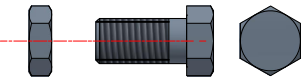


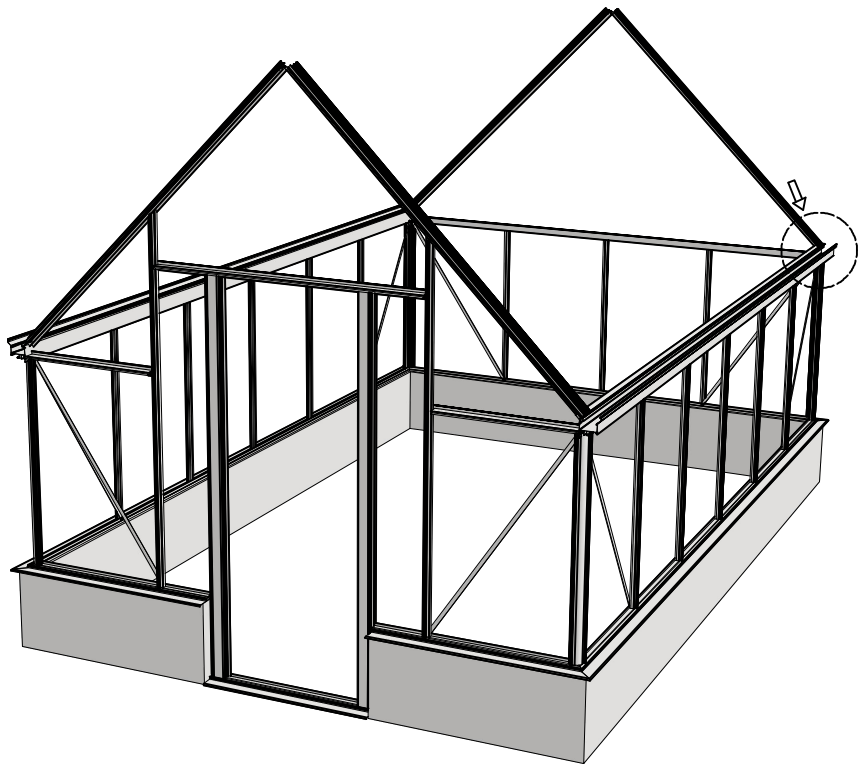
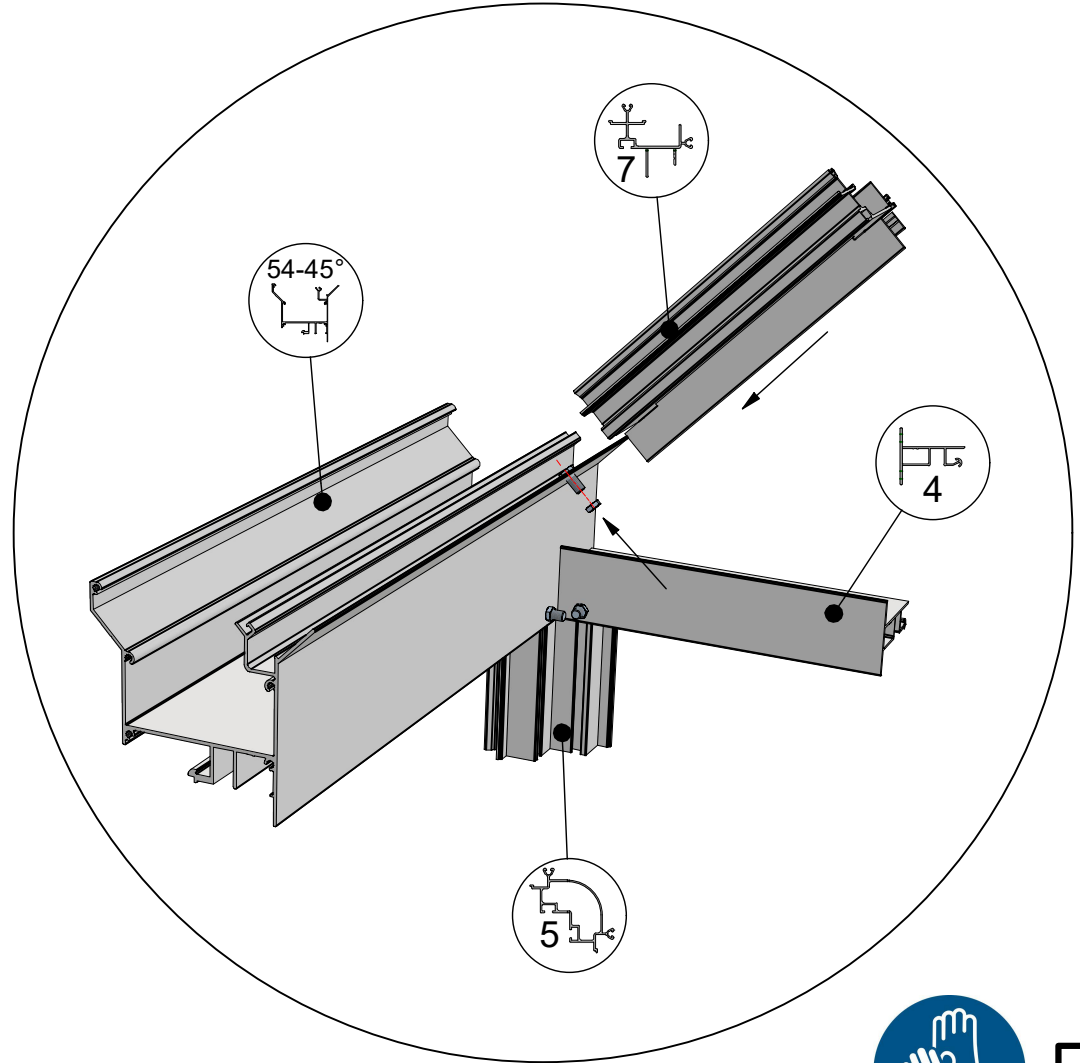
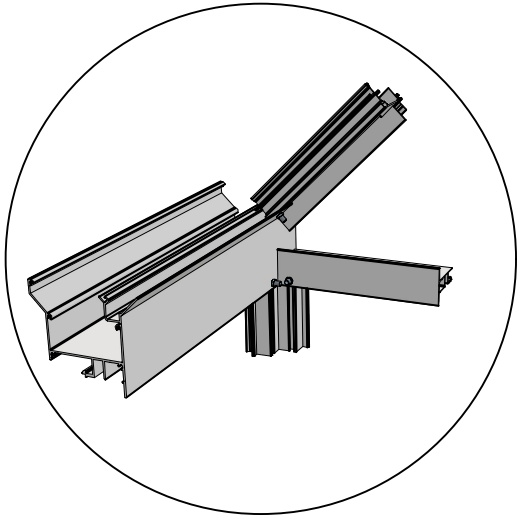
 = M6x12



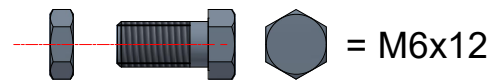
 = M6x12

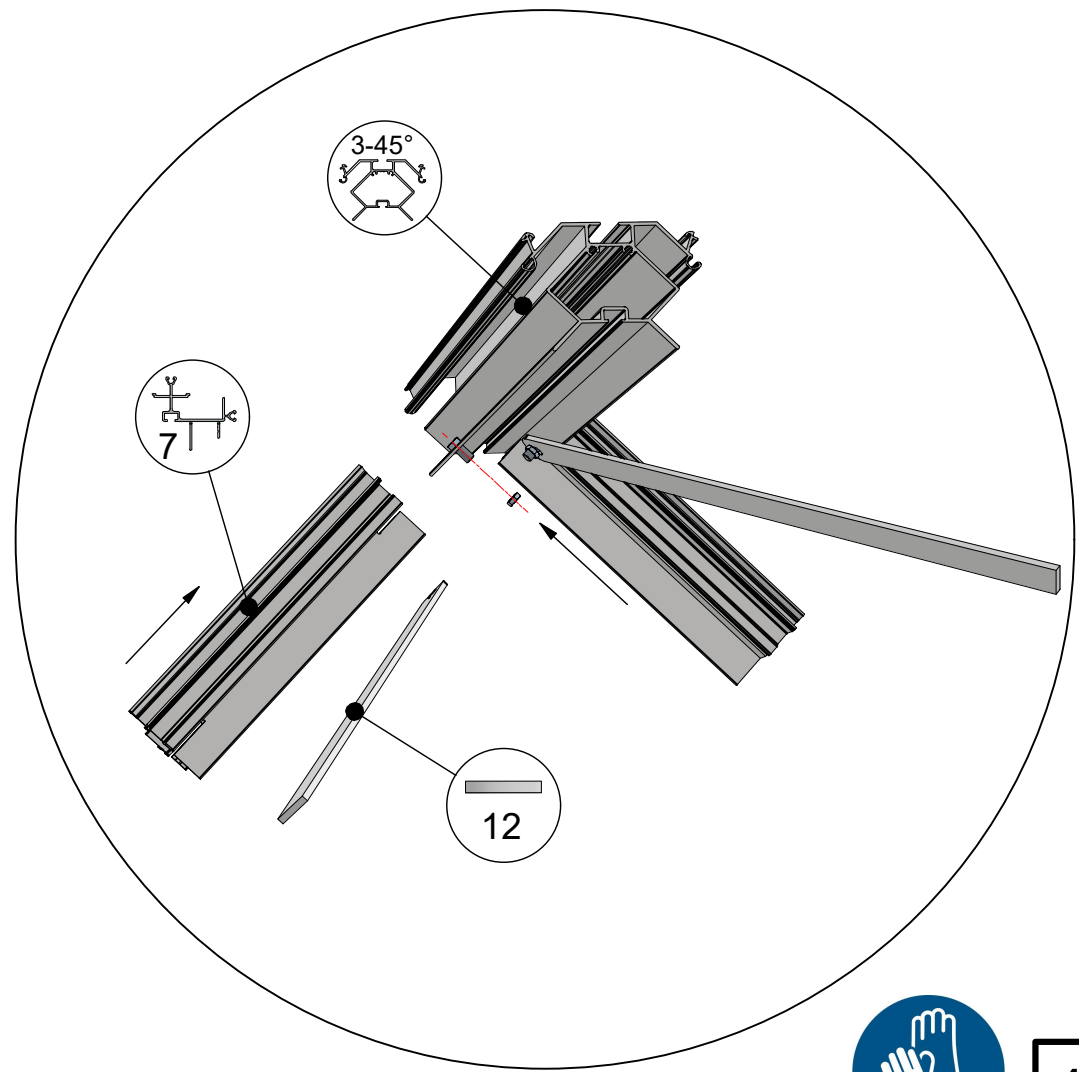
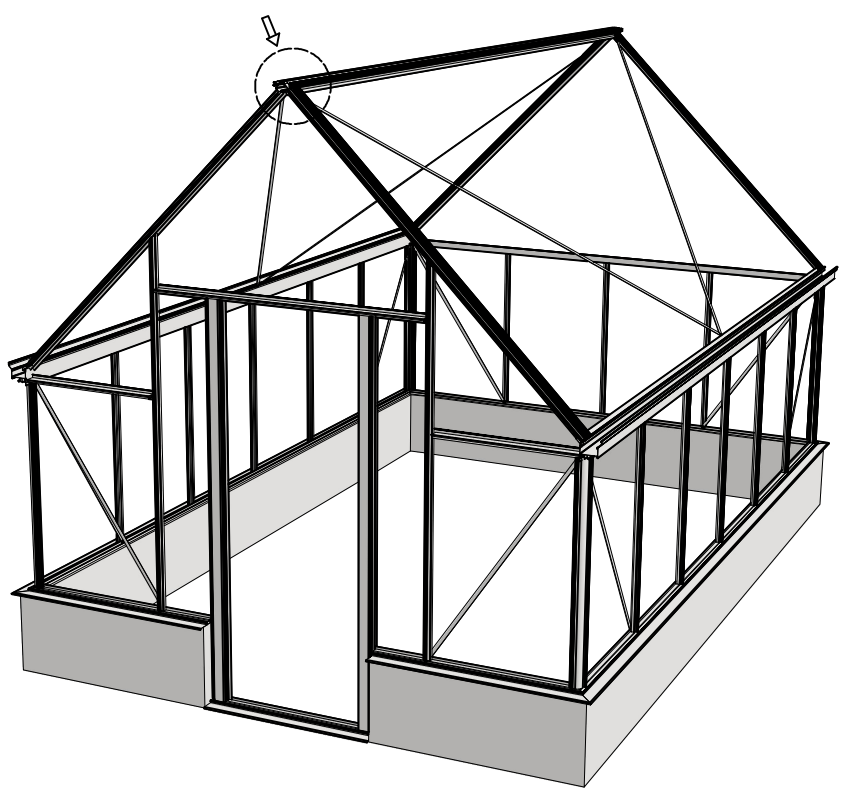
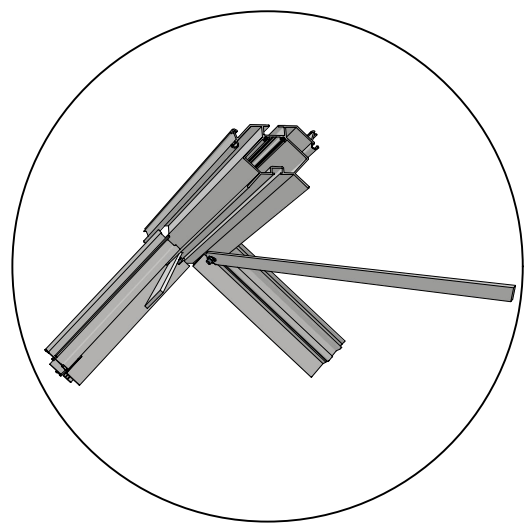


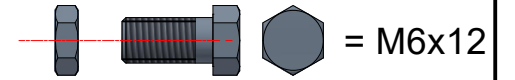
 = M6x12

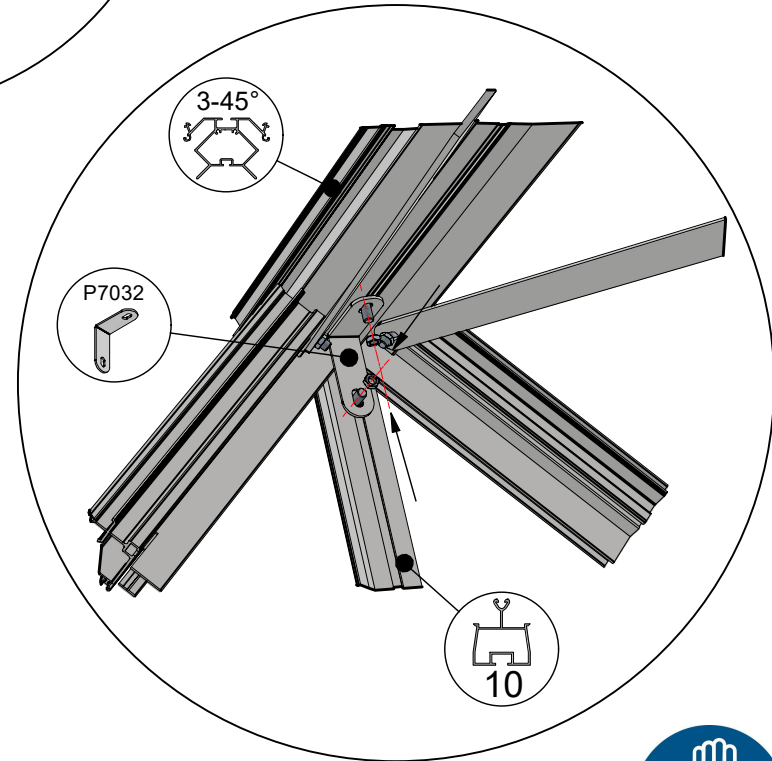
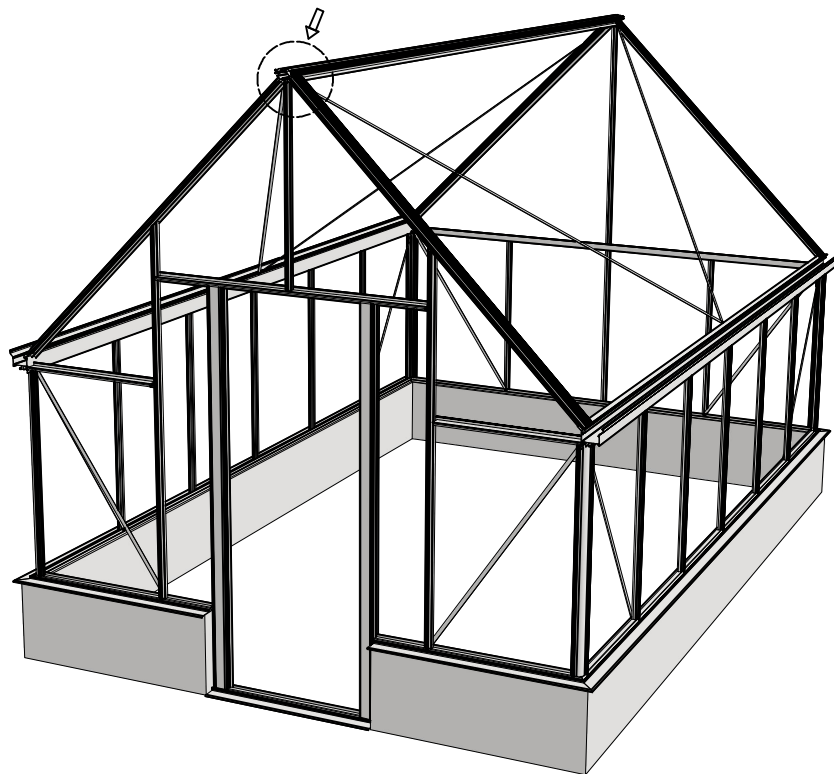
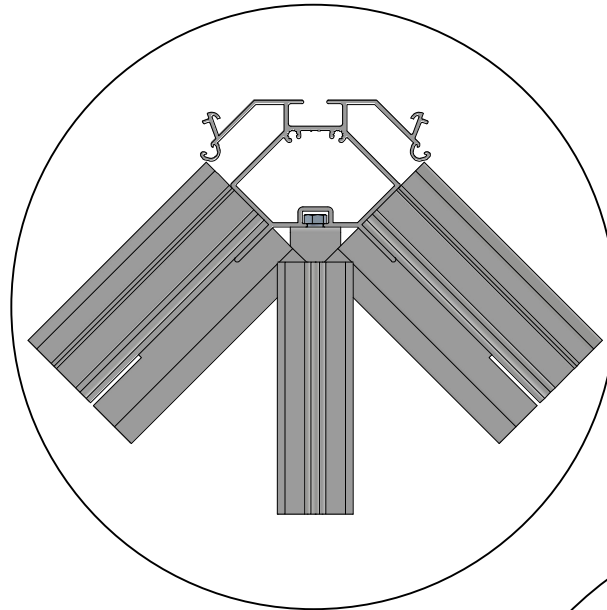
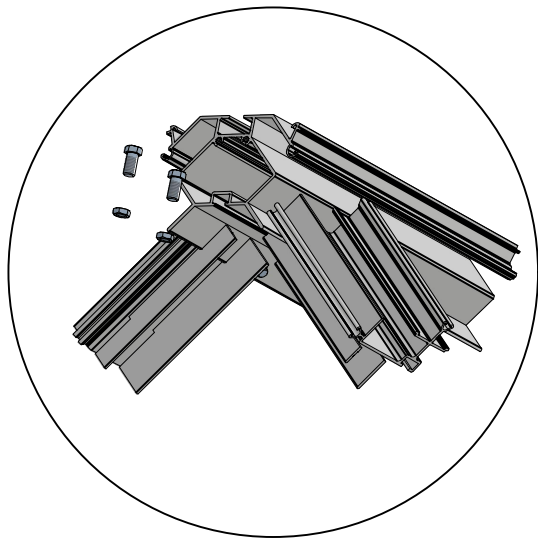





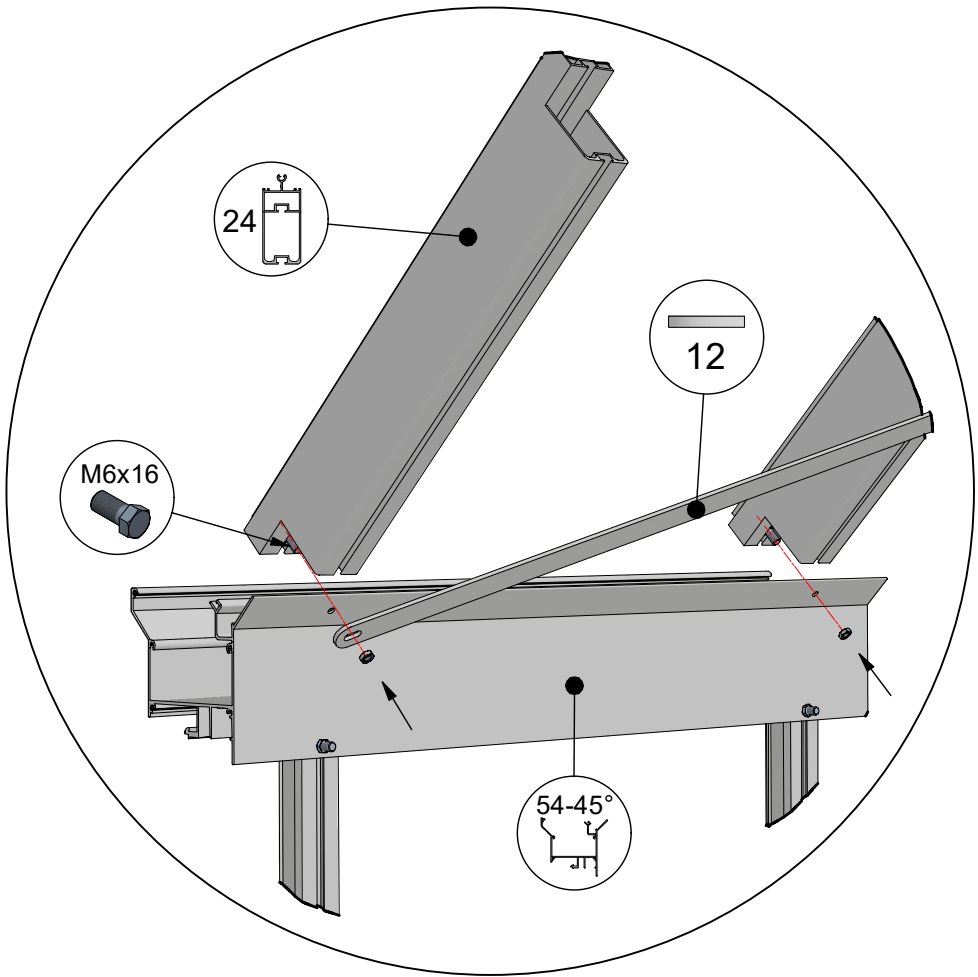
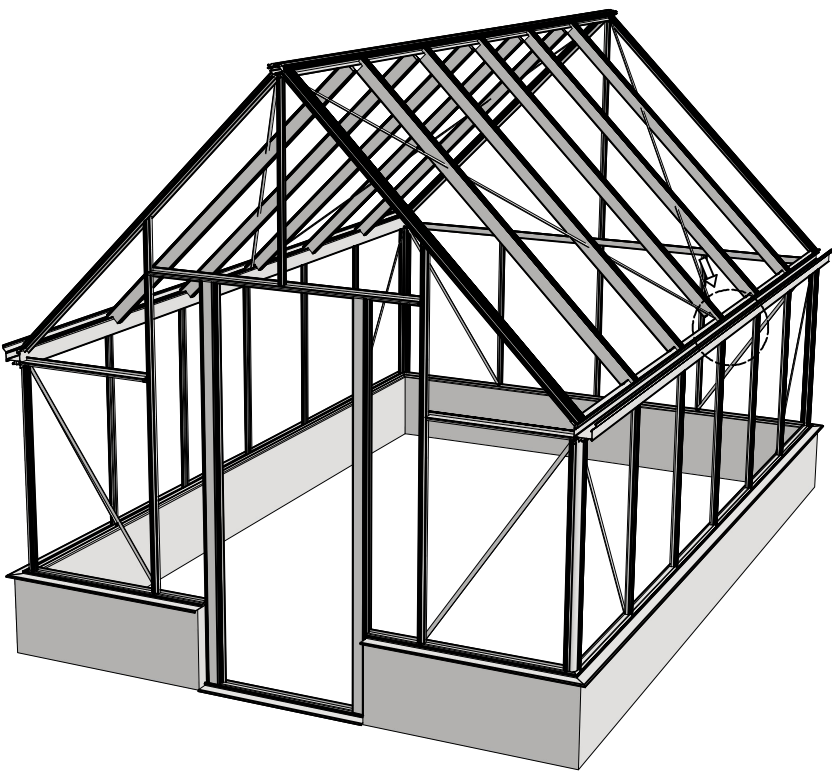
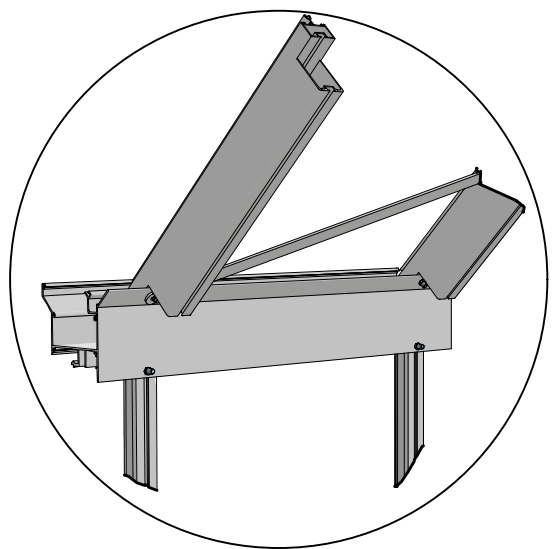
 = M6x12

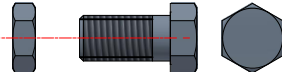


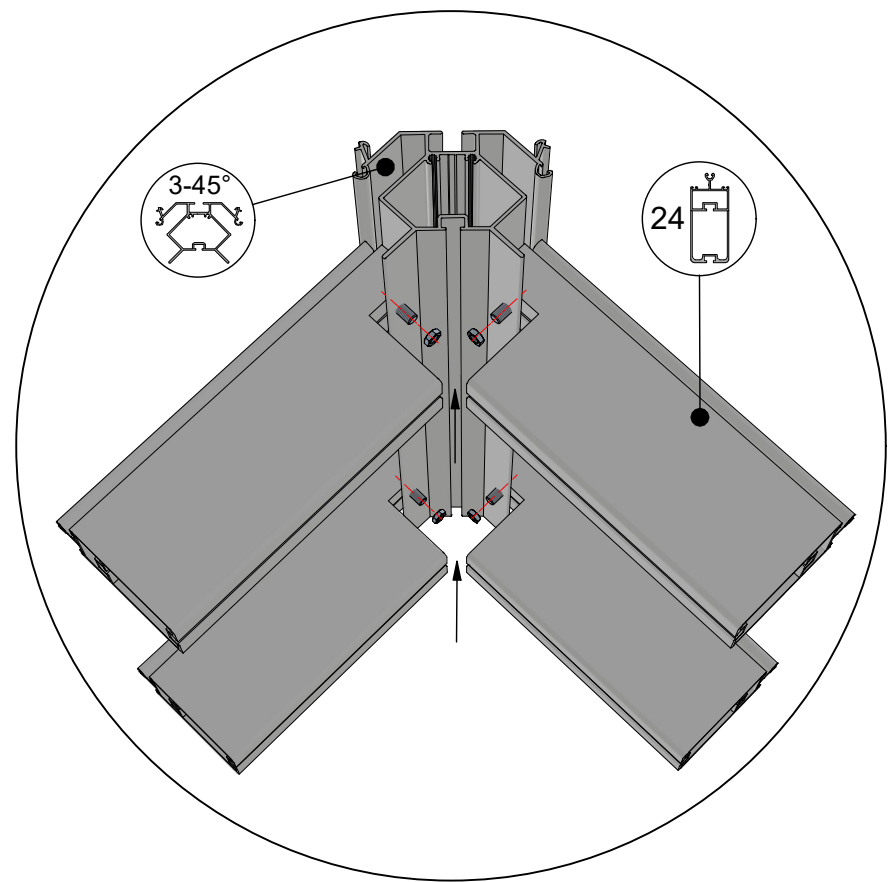
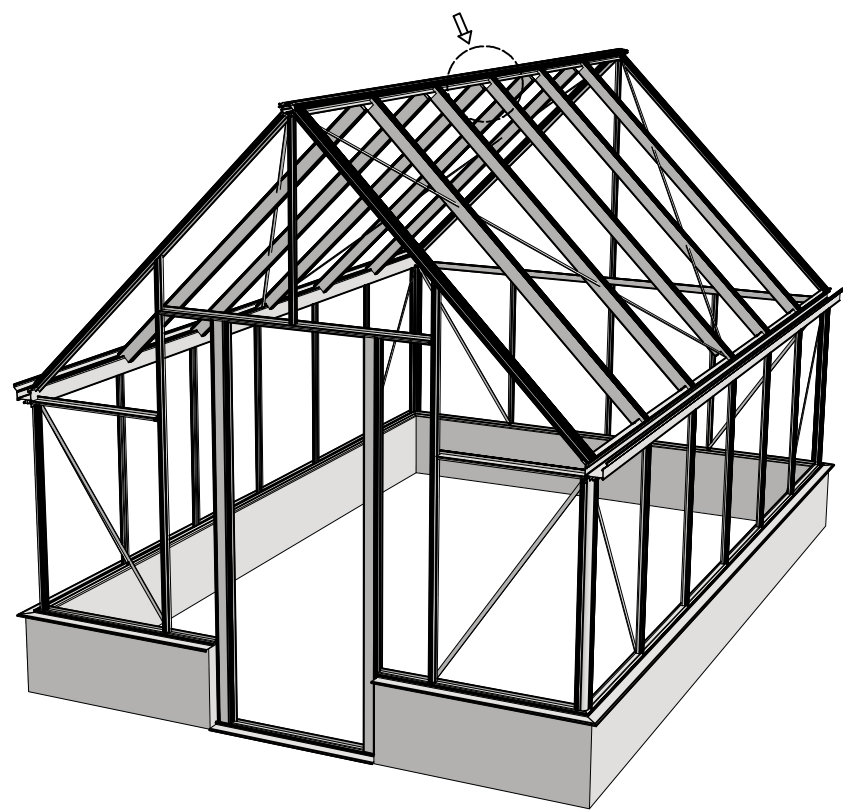
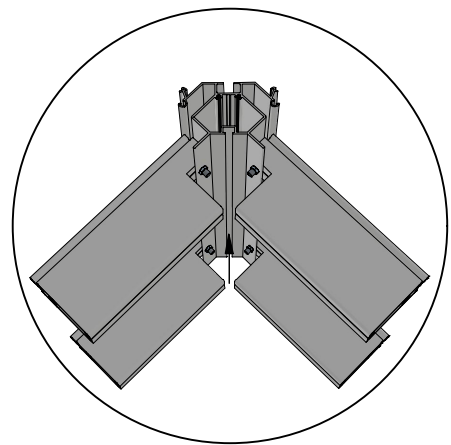
 = M6x12




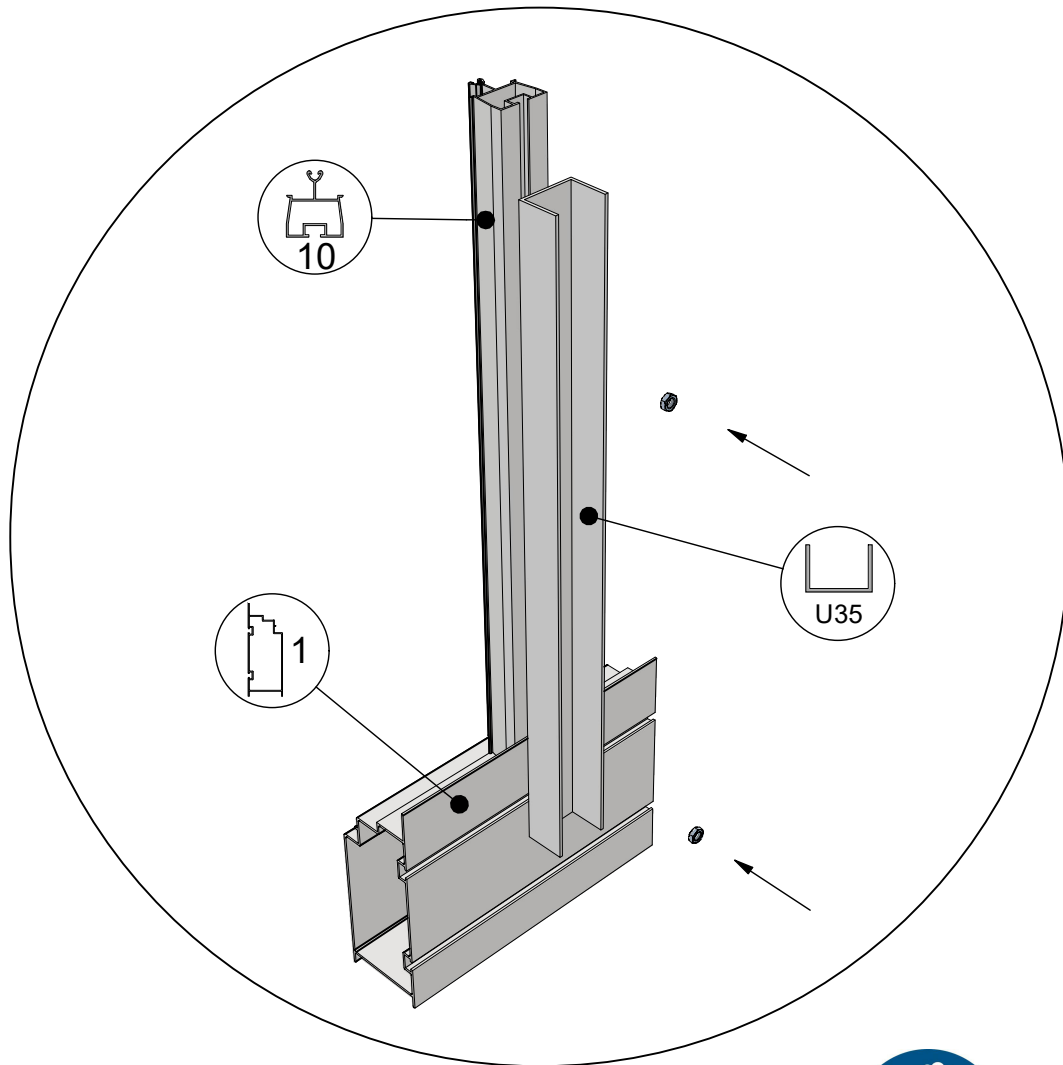
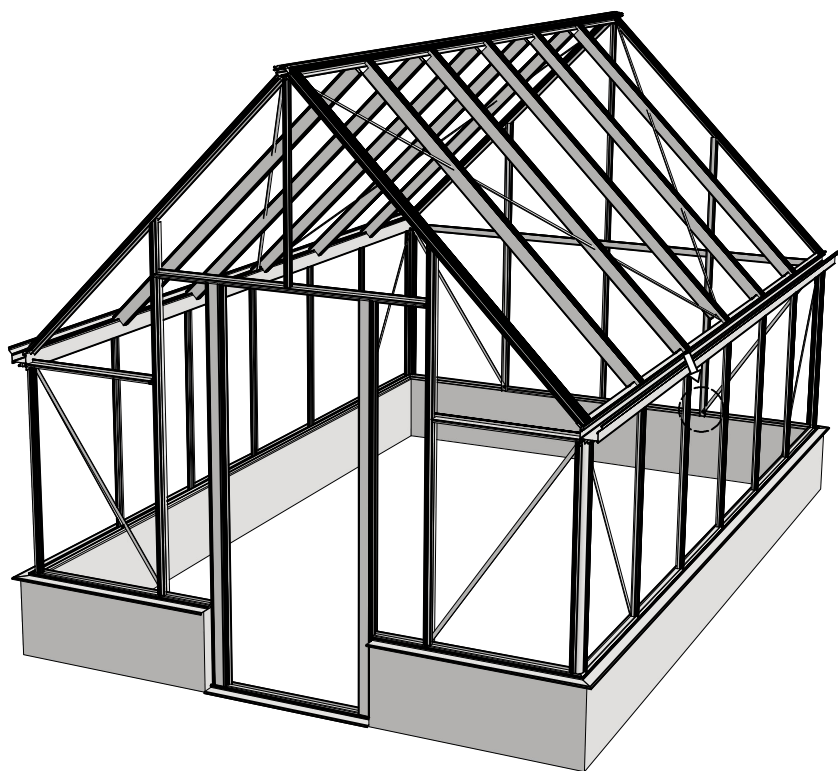
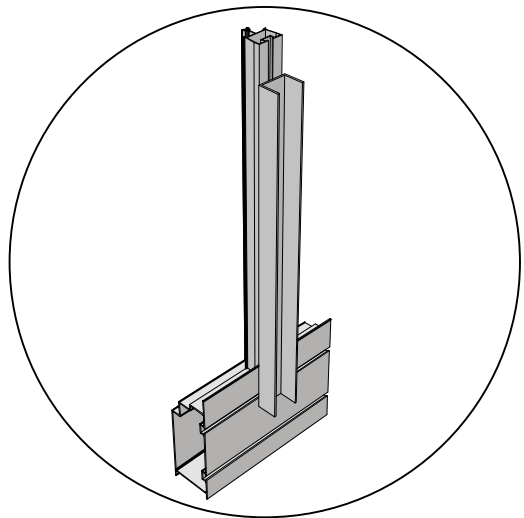
 = M6x12




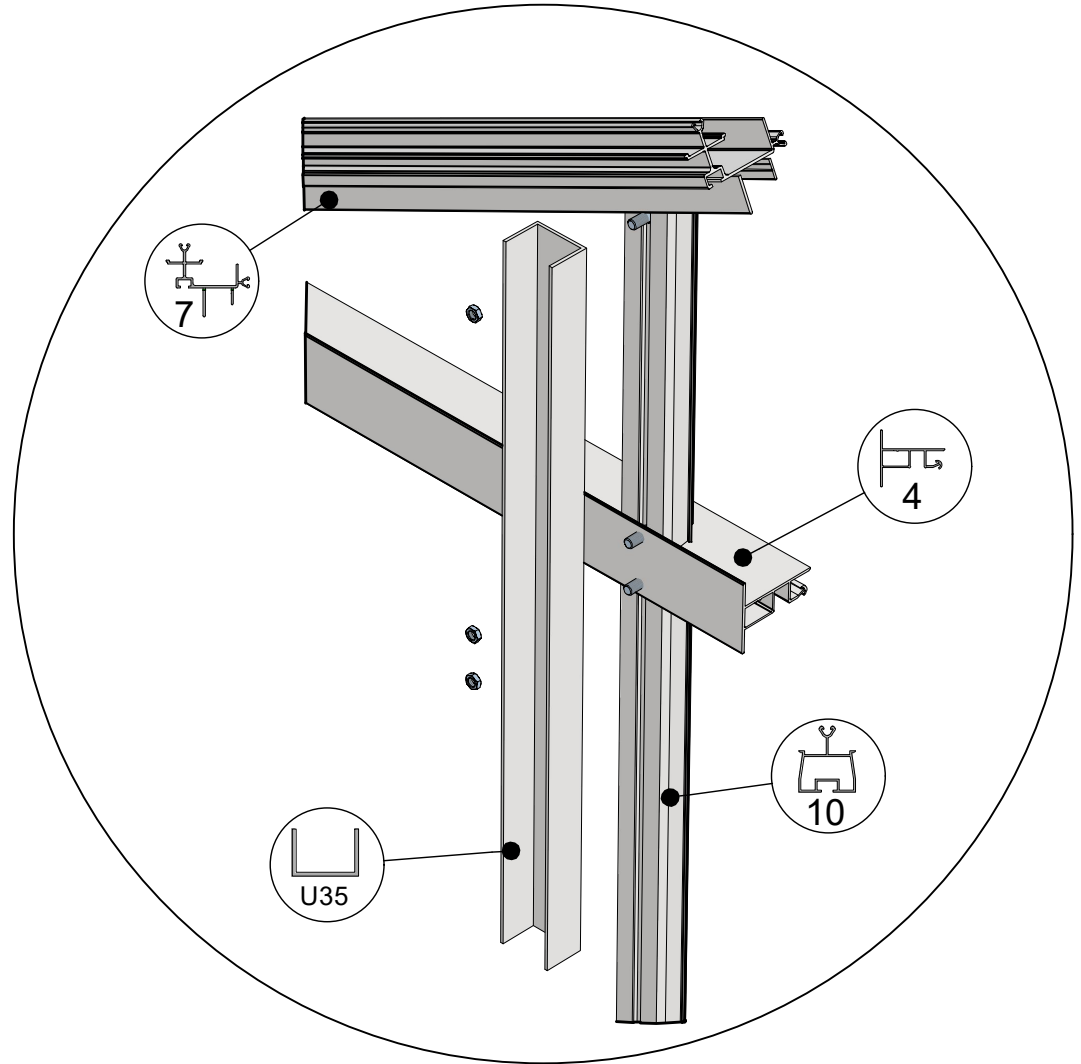
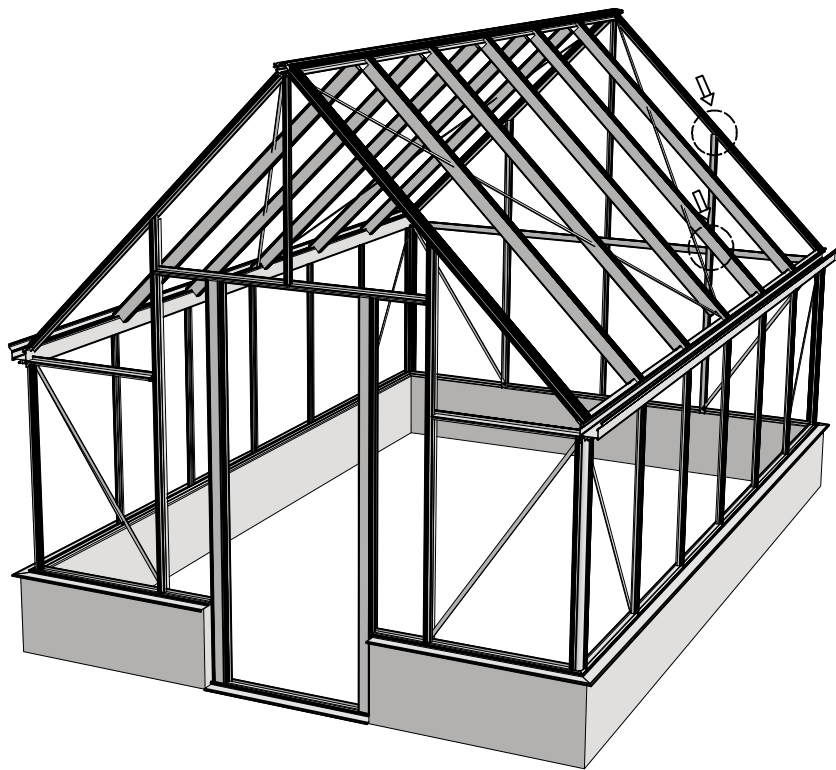
 = M6x12




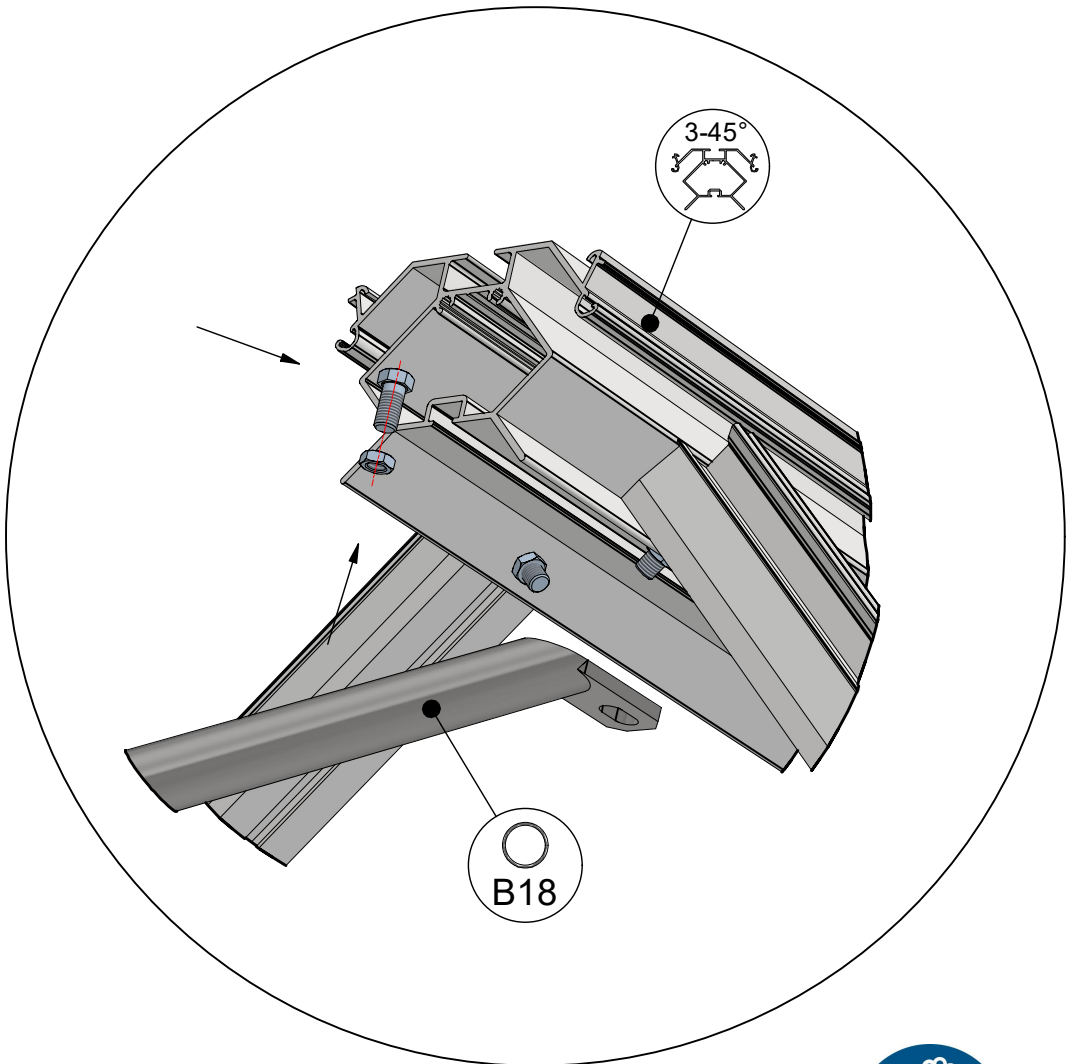
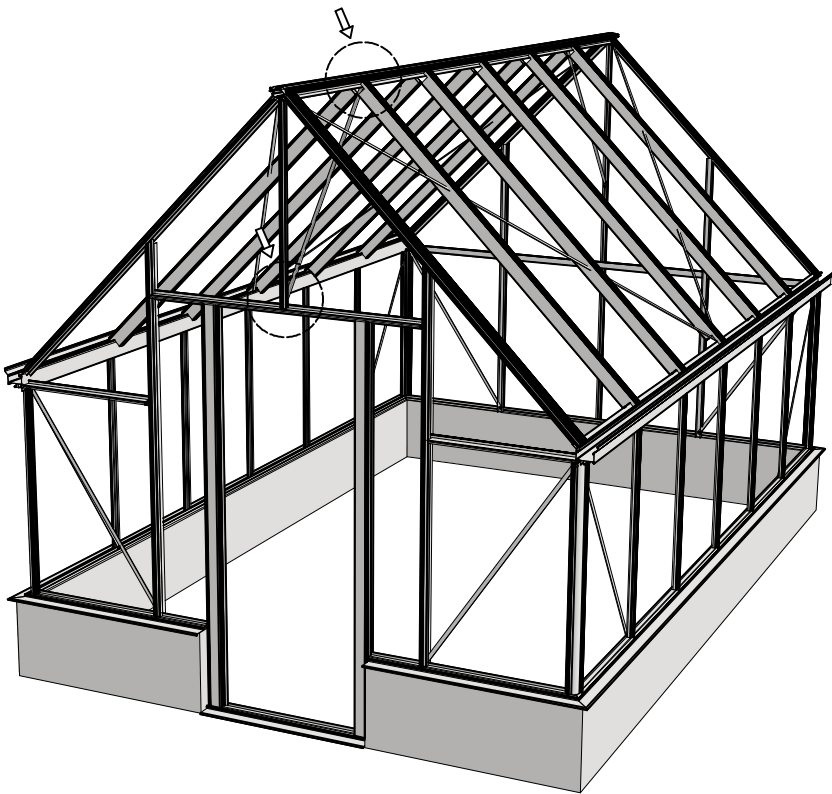
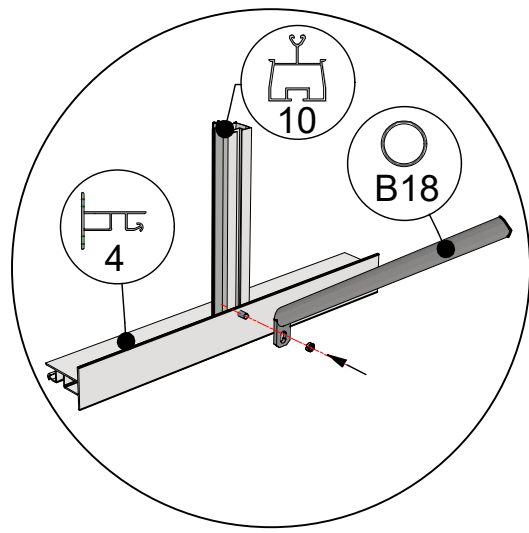
 = M6x12

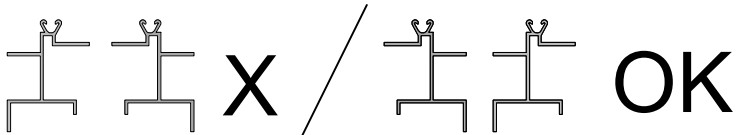
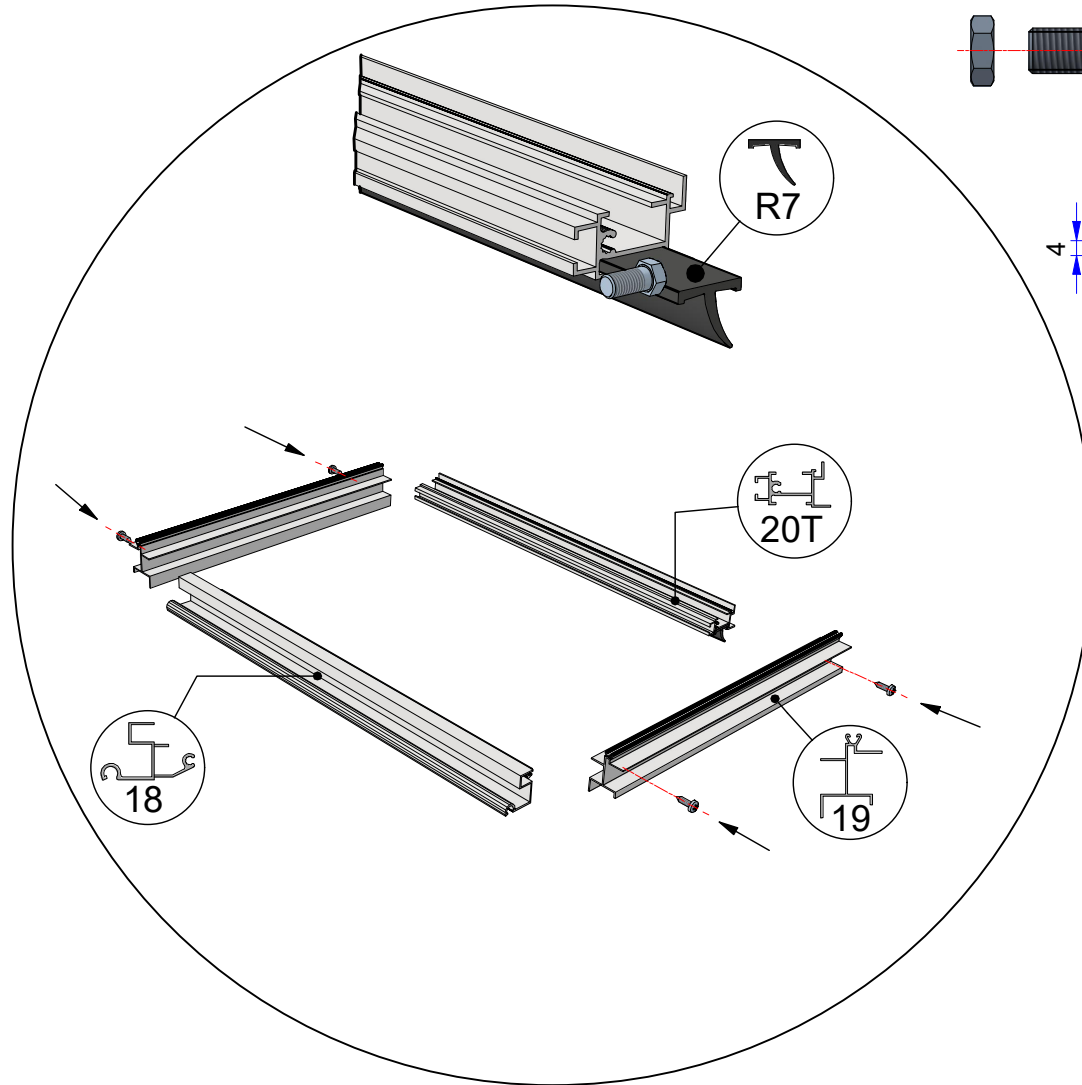
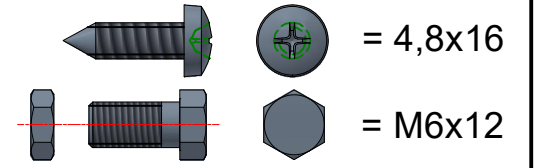
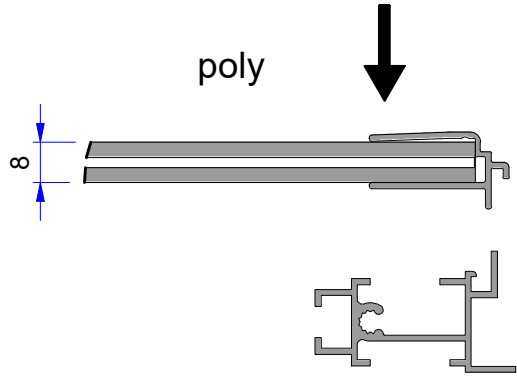


 = M6x12

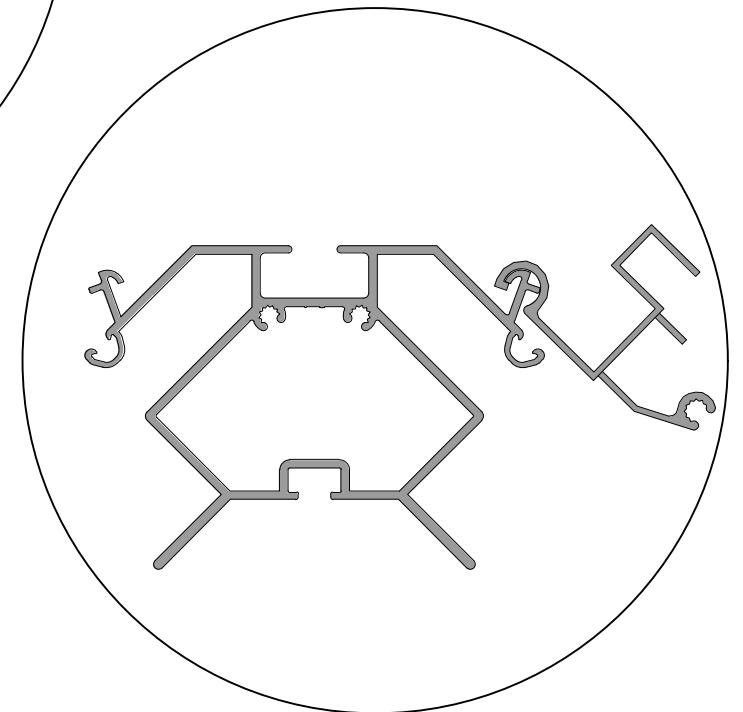
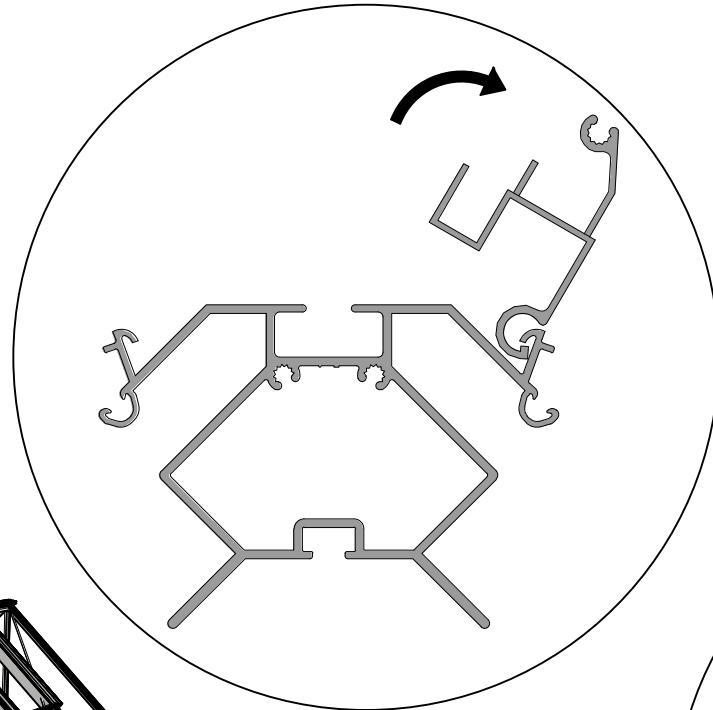
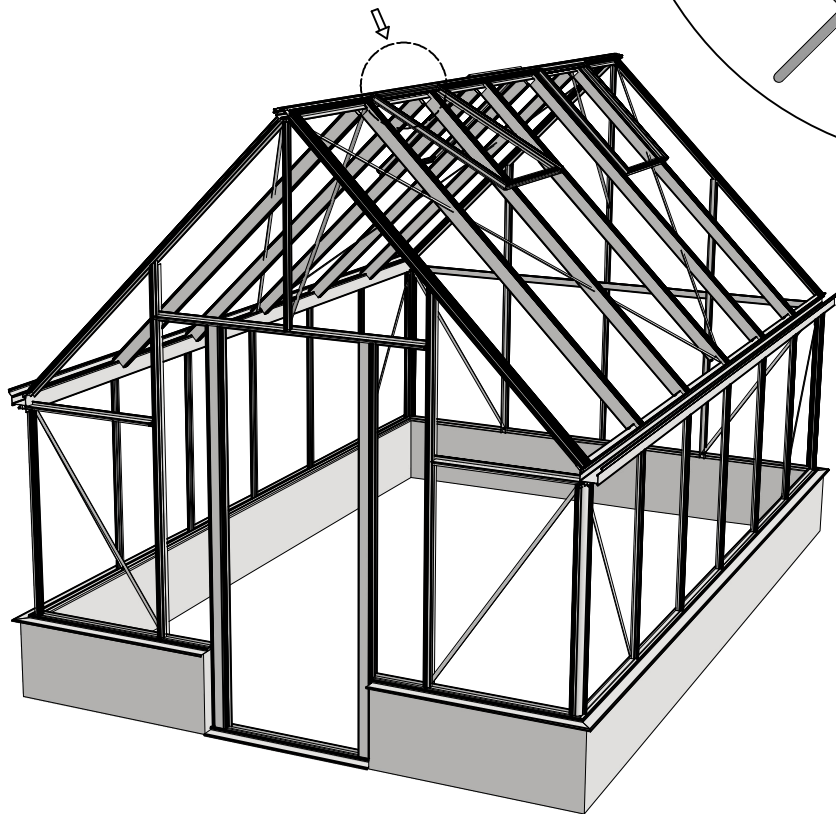


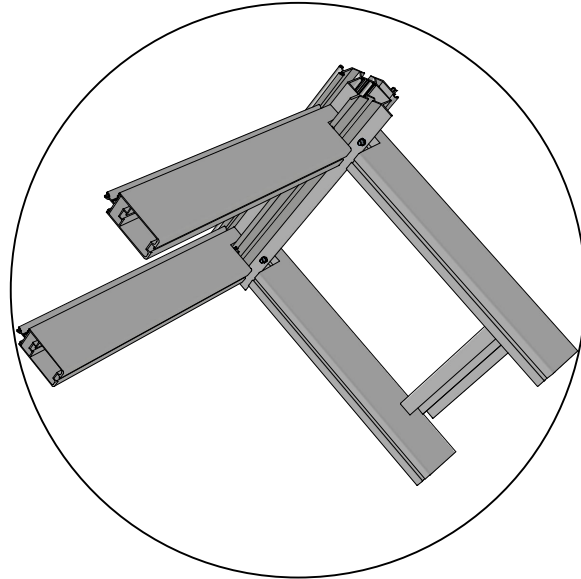
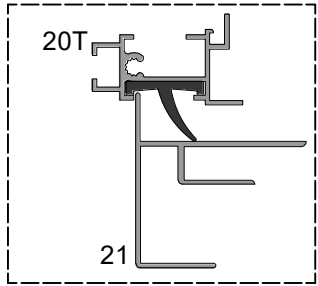
 = M6x12

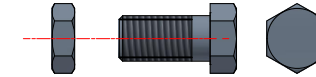


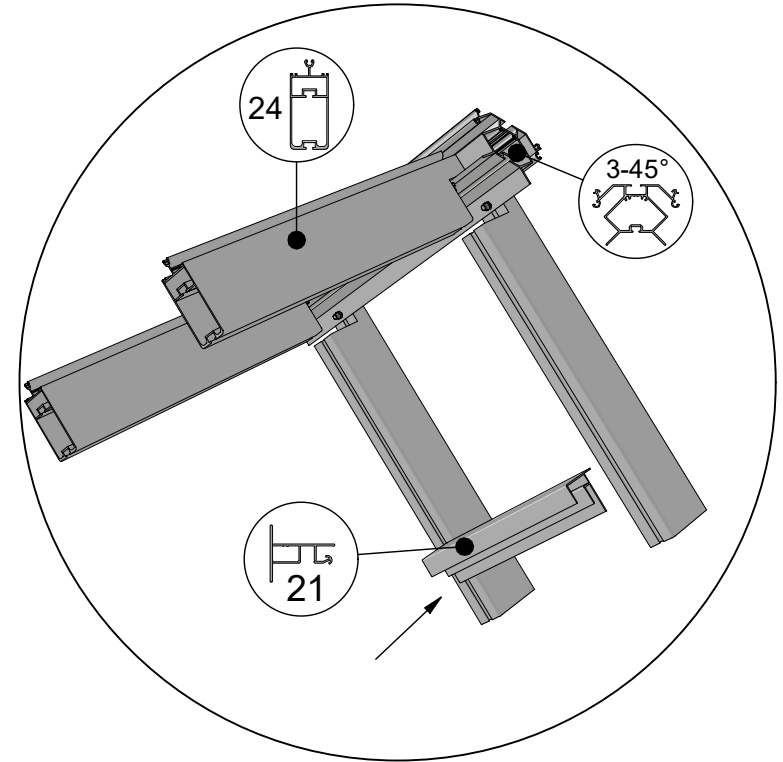
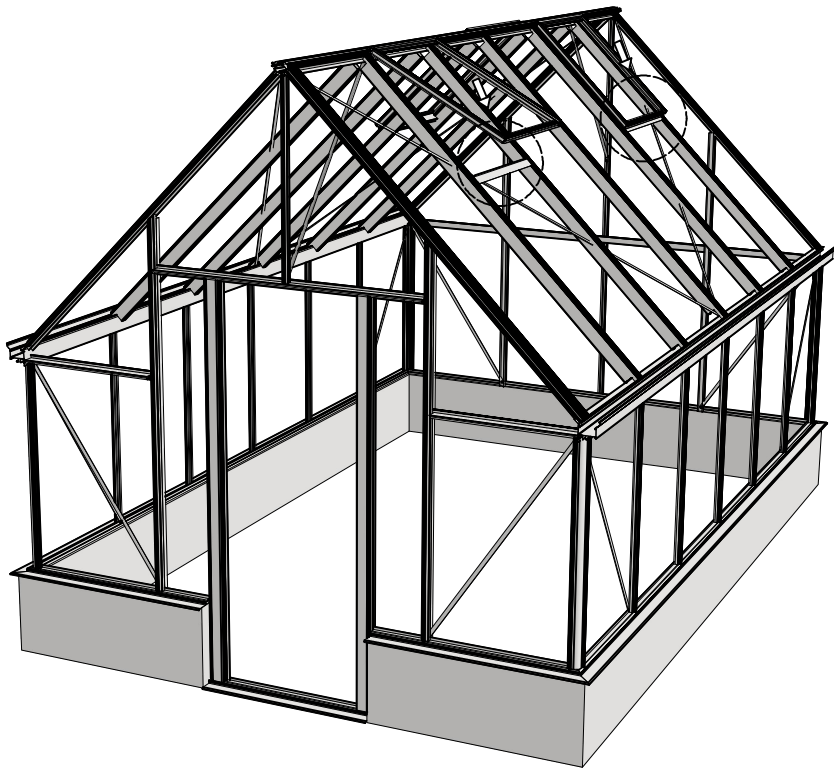


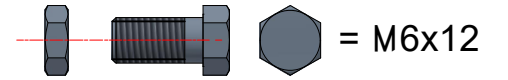
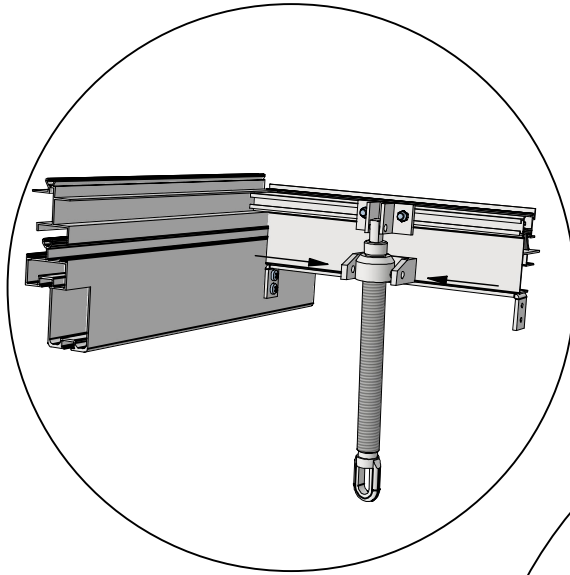
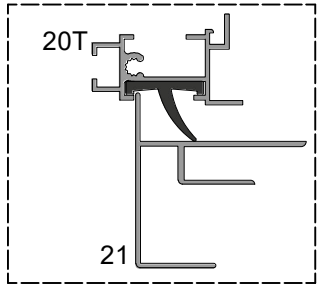






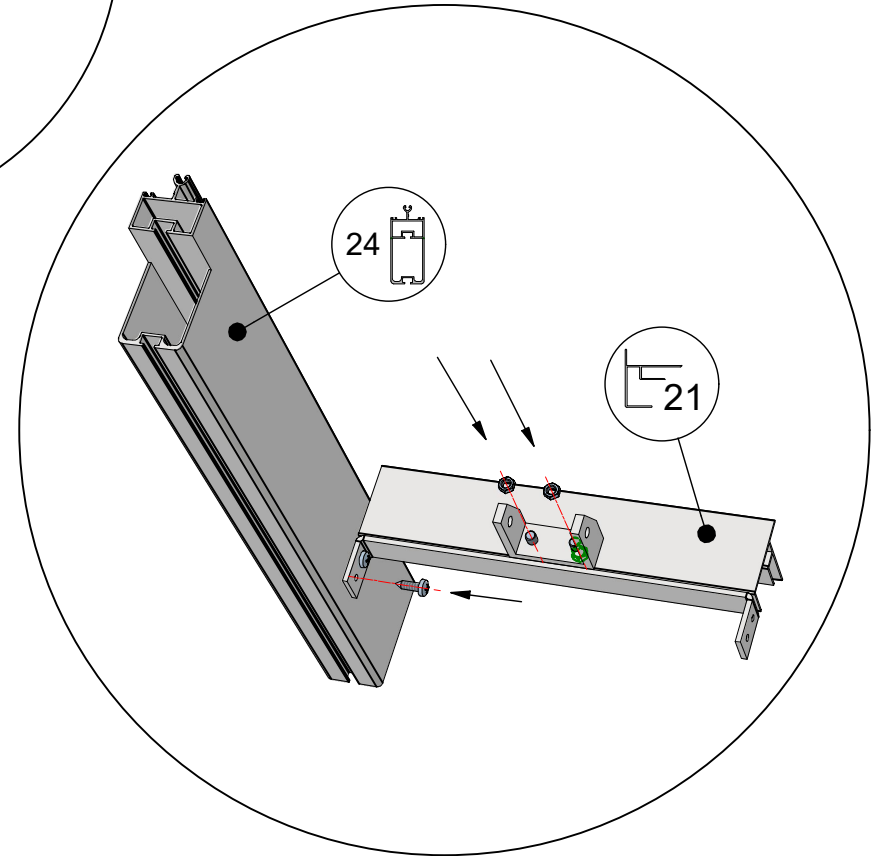
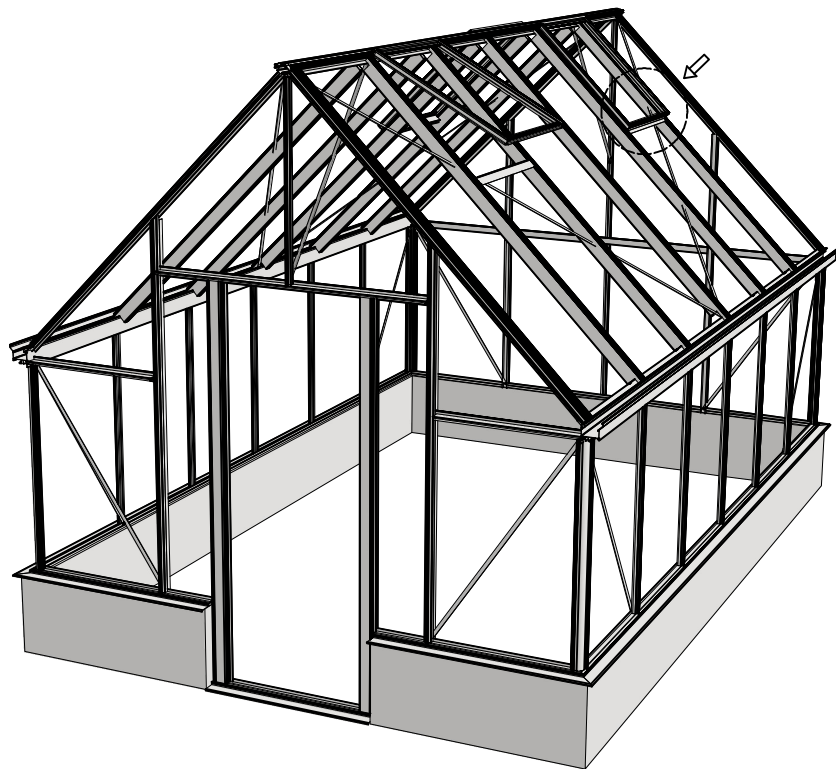
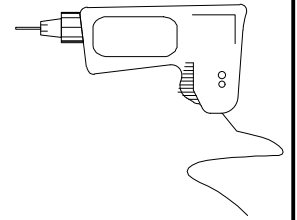
 = M6x12




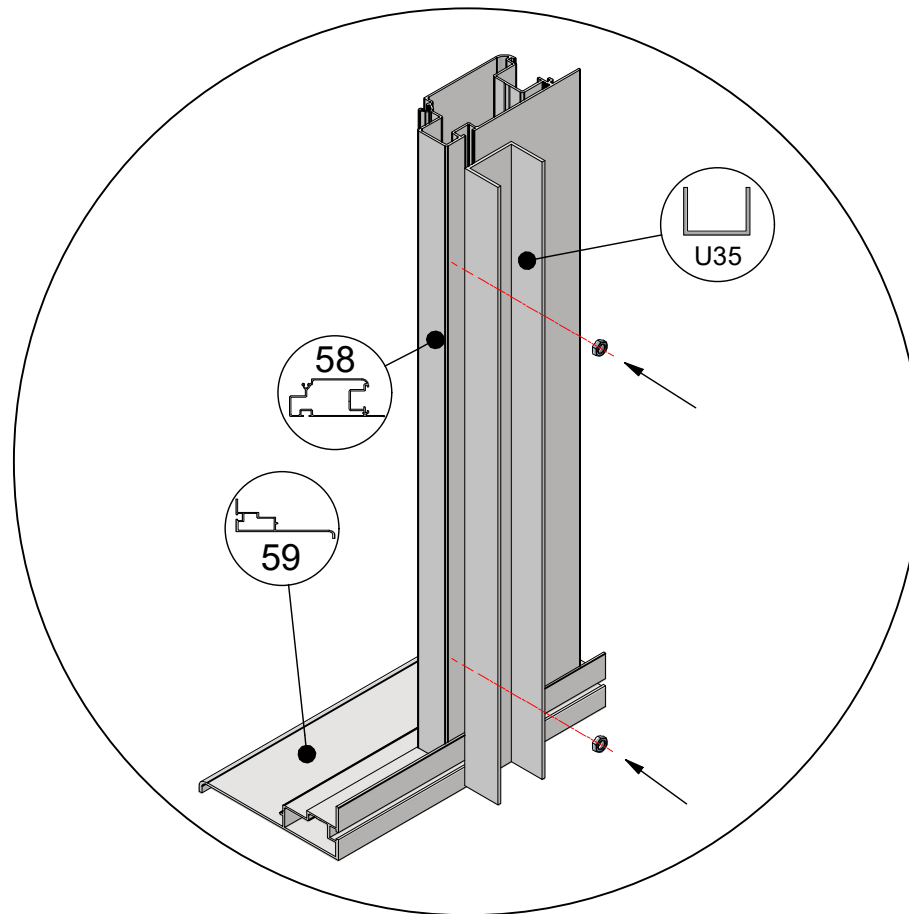
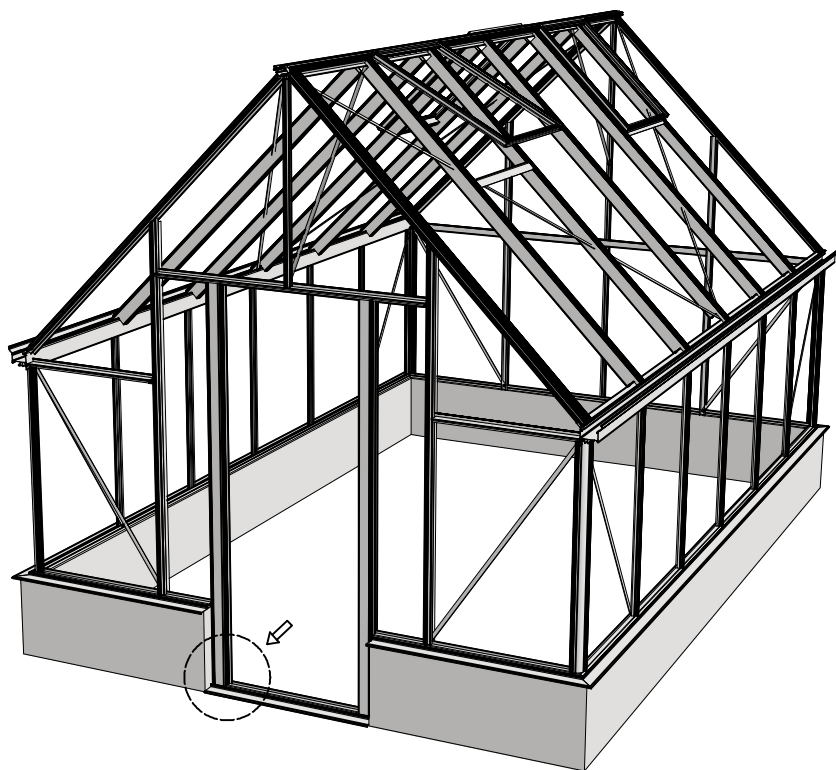
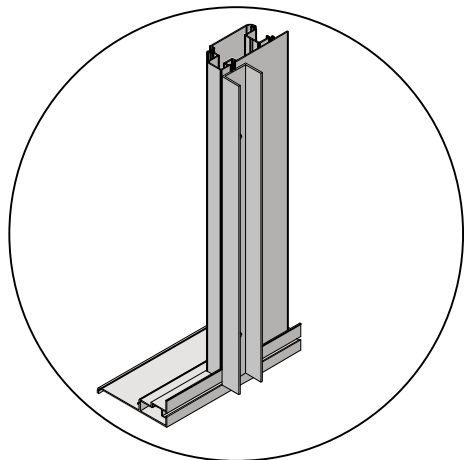


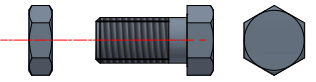
∅ = 6,5mm

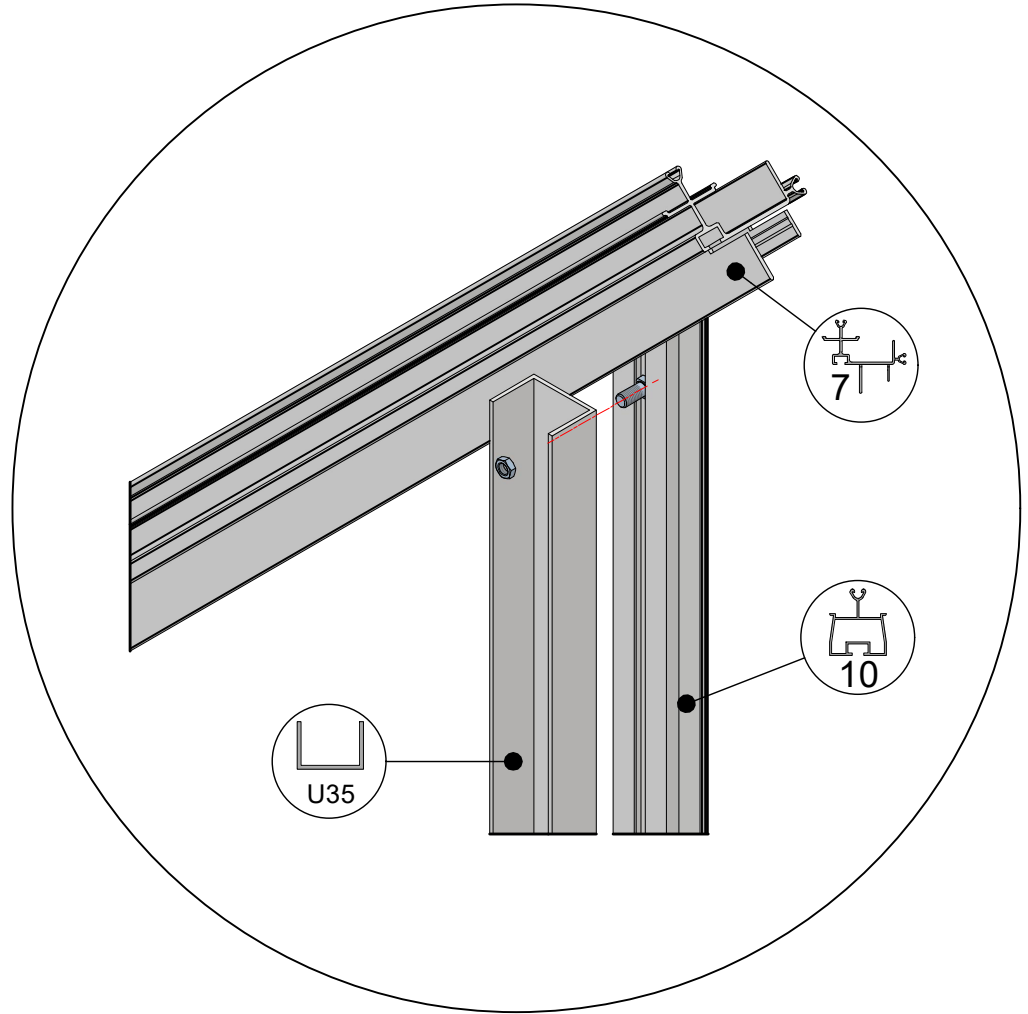
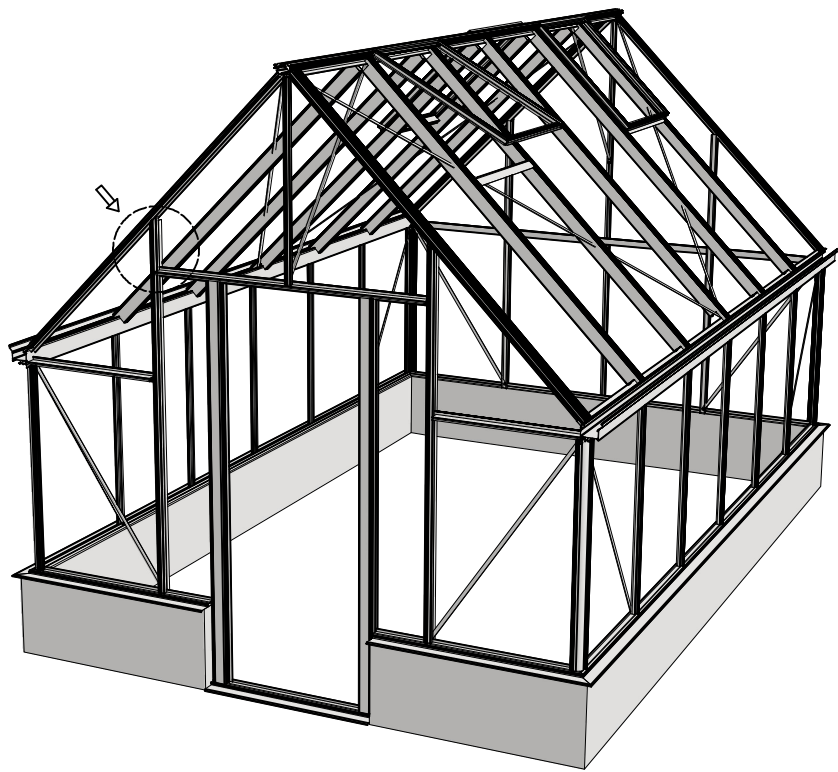
∅ = 4mm



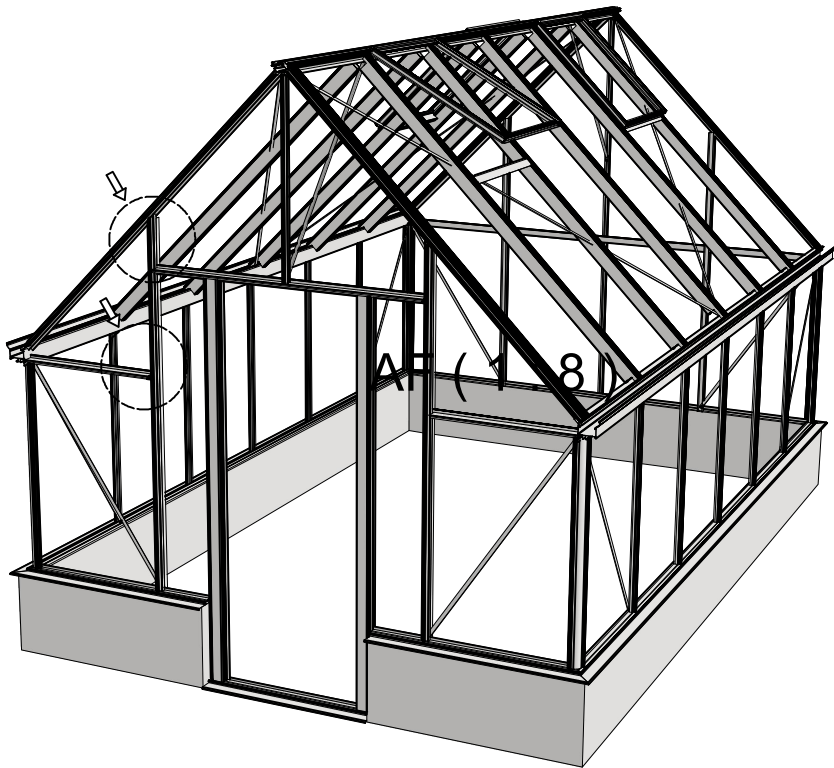
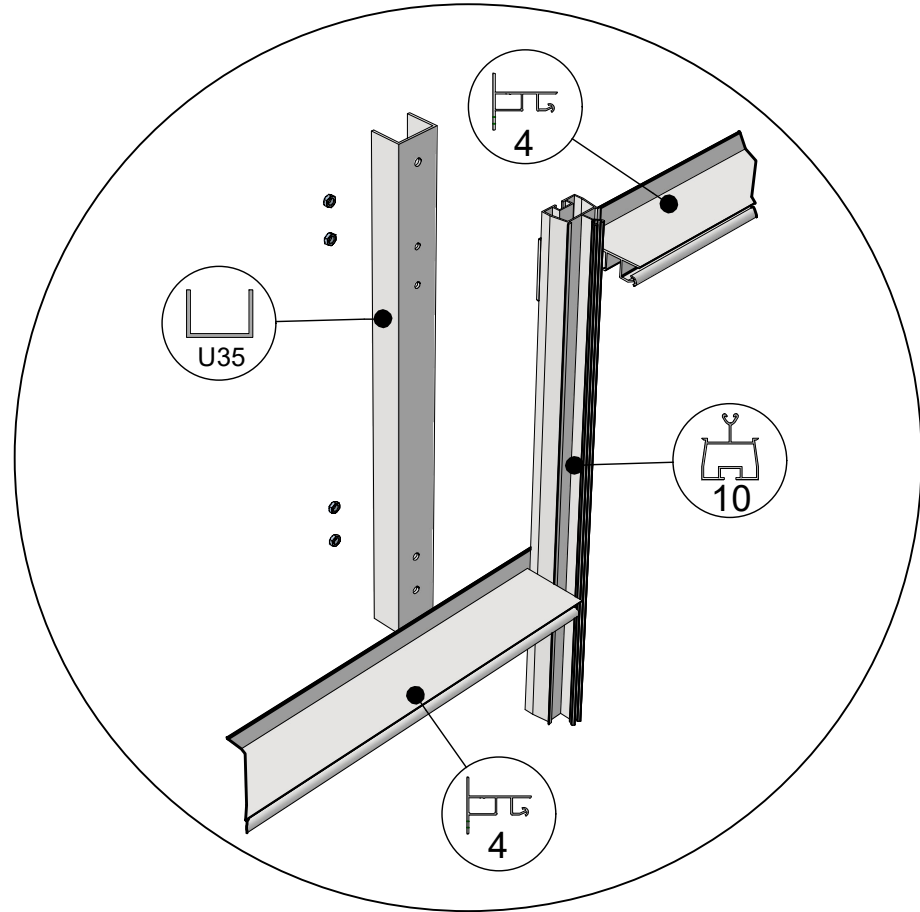
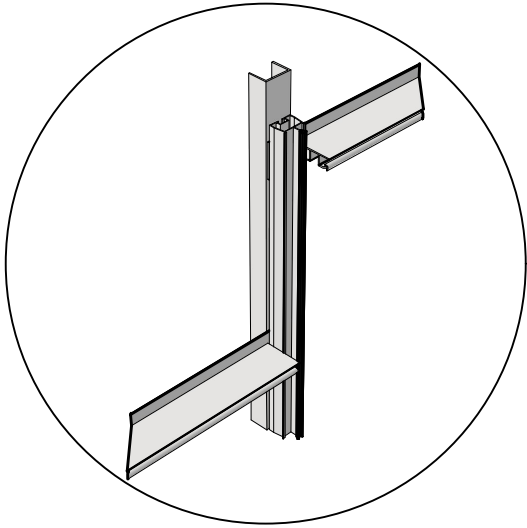
 = M6x12

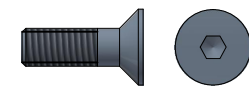


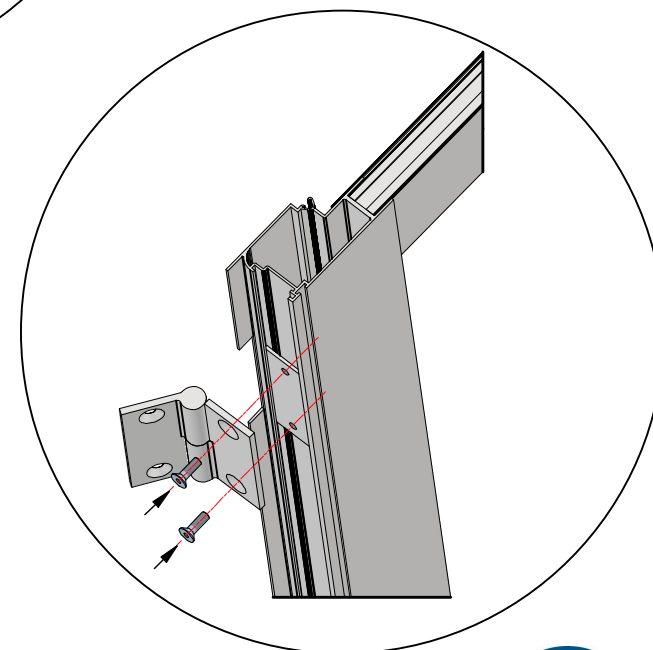
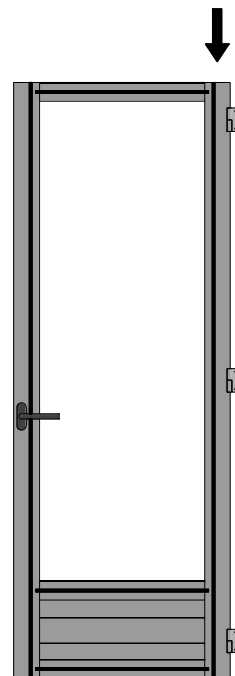
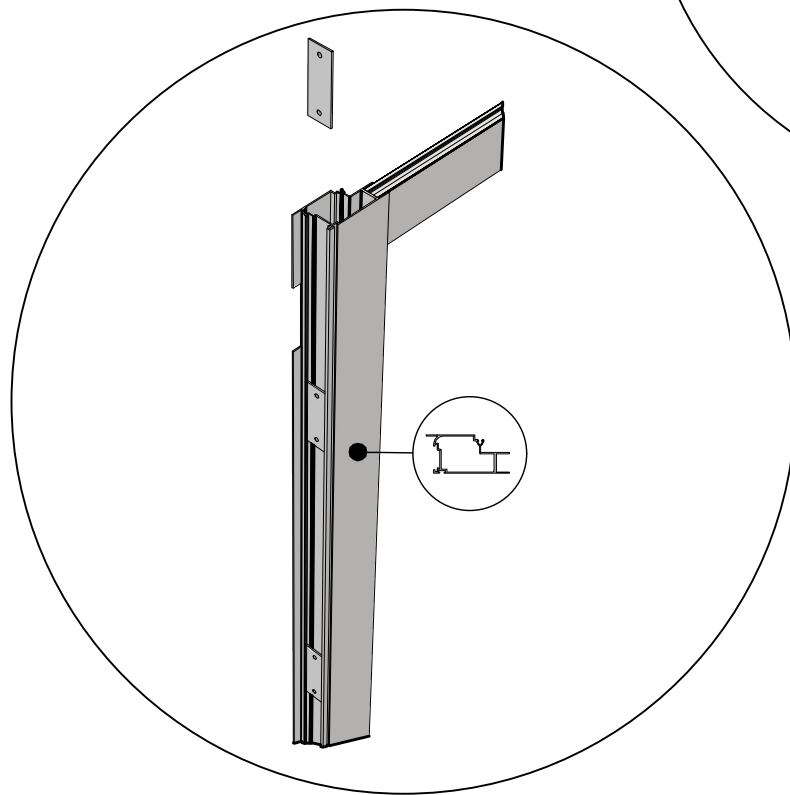
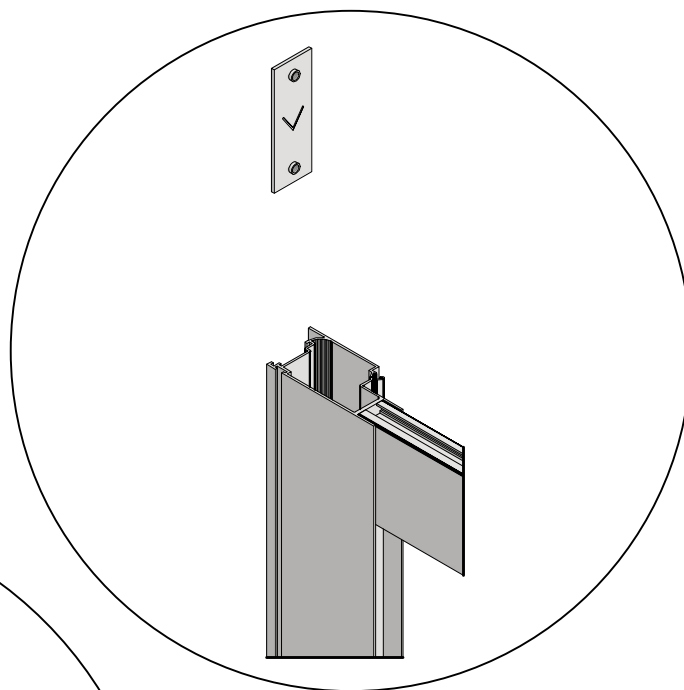
 = M6x12

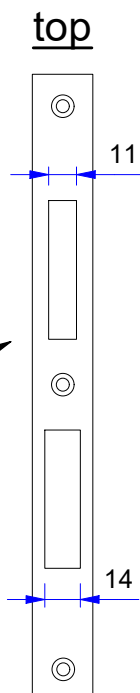
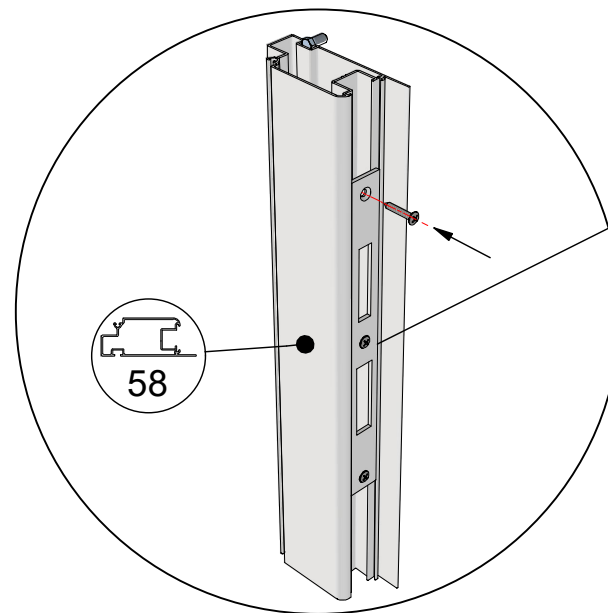
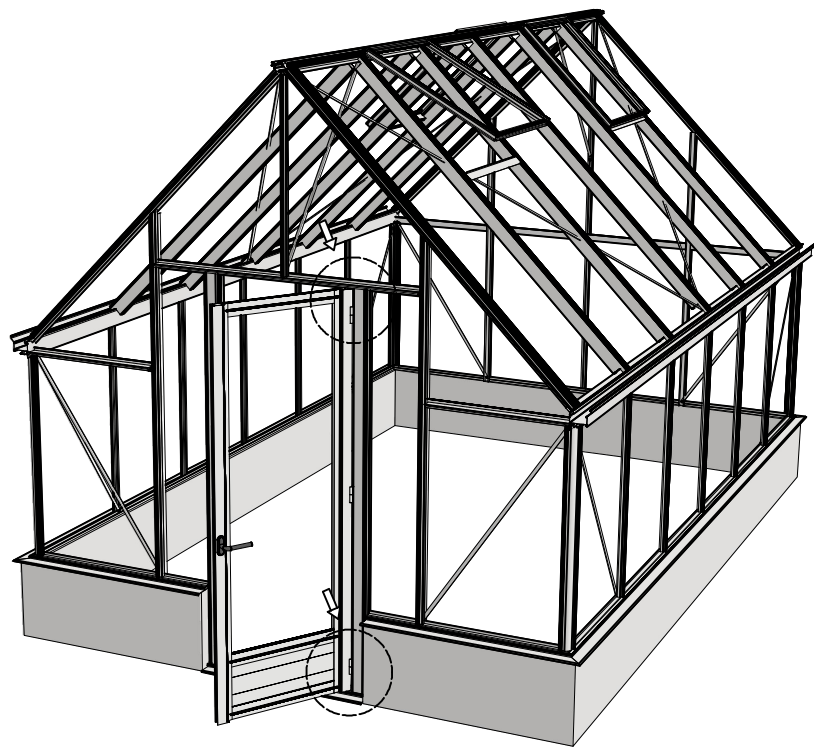
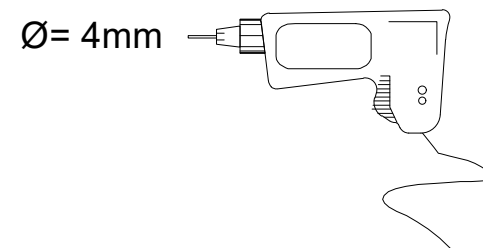
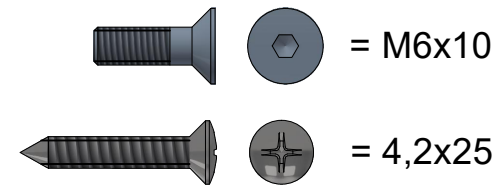
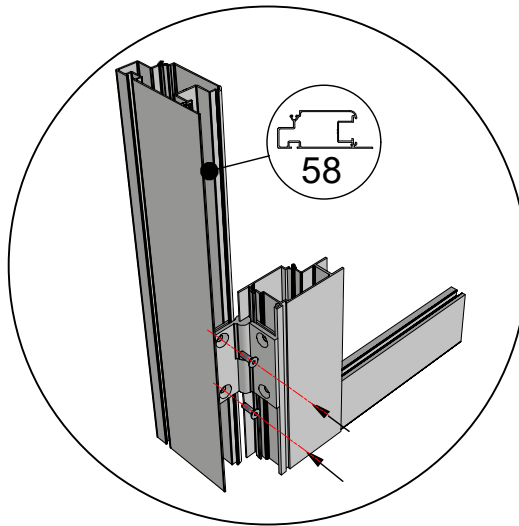
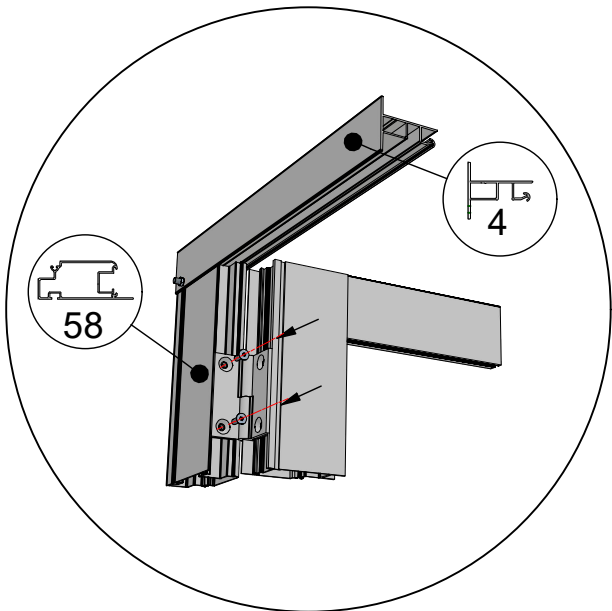


 = M6x12



 = M6x10







Glass Dimensions Nv Euro-serre		Euro-Rustic on wall			3,09m	GlassH: 1120	Wall H: 430			
Glass Size 730mm	Sides	Single		Roof	Size Lenght x Wide	Poly		m <sup>2</sup>	m <sup>2</sup>	
	1120 x 730 1650 x 290	1615 x 620		2110 x 730	1273 x 730 825 x 730	2110 x 730	1273 x 730			
Euro-Rustic on wall 3,09m x 3,09m	14	2	1	6	2	2 or 2	6	2	13,4	12,3
Euro-Rustic on wall 3,09m x 3,80m	16	2	1	8	2	2 or 2	8	2	15,0	15,4
Euro-Rustic on wall 3,09m x 4,57m	18	2	1	9	3	3 or 3	9	3	16,7	18,5
Euro-Rustic on wall 3,09m x 5,30m	20	2	1	11	3	3 or 3	11	3	18,3	21,5
Euro-Rustic on wall 3,09m x 6,04m	22	2	1	12	4	4 or 4	12	4	19,9	24,6
									0,0	
									0,0	
									0,0	
									0,0	



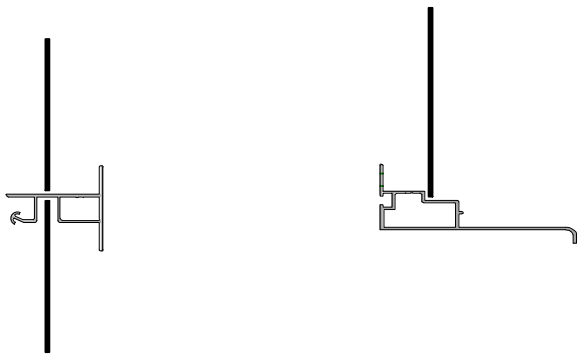
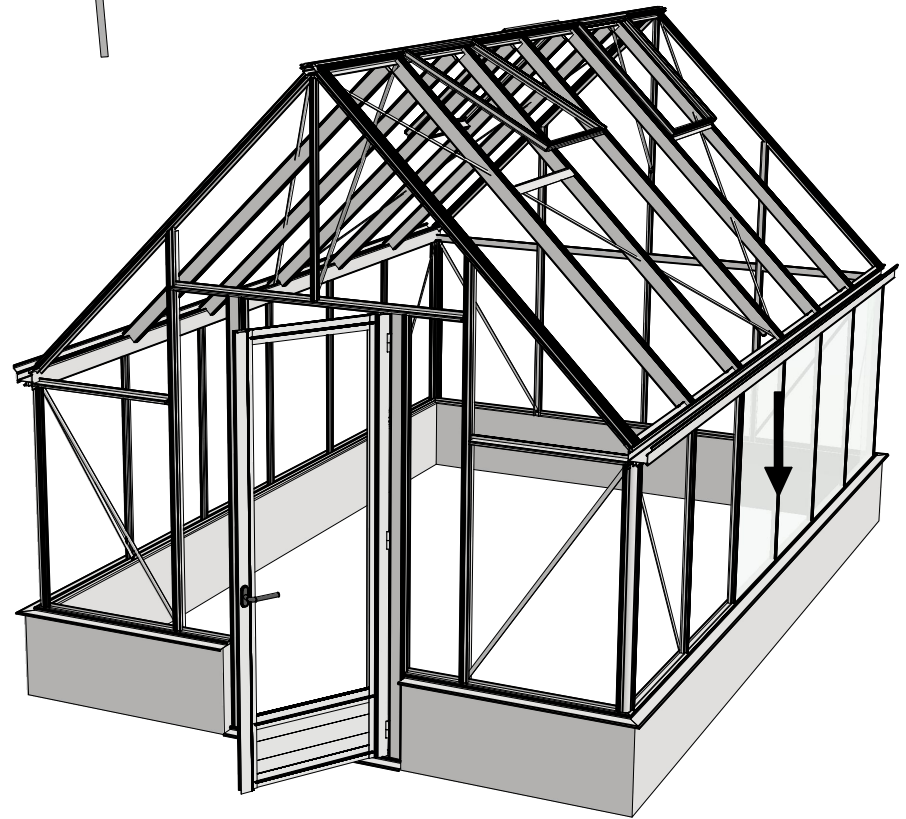
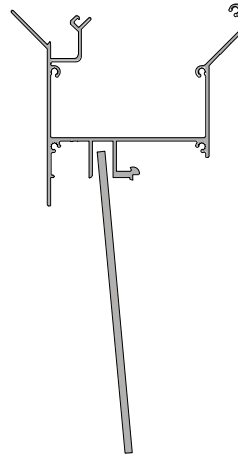
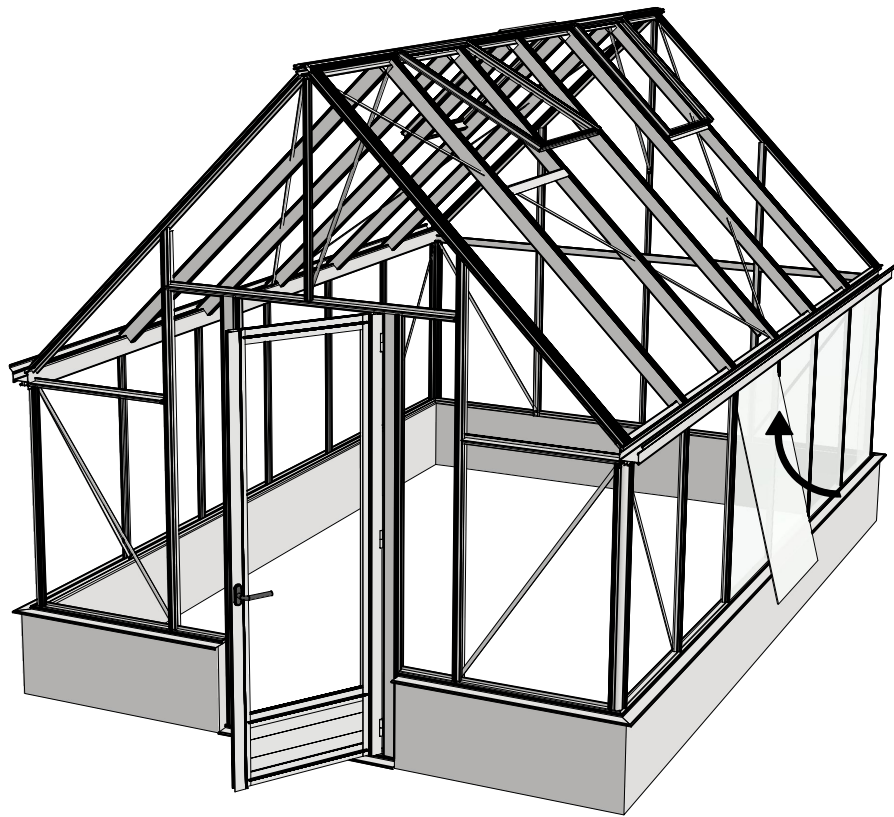
6,09 m<sup>2</sup>

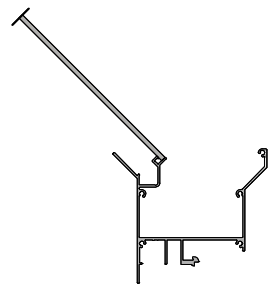
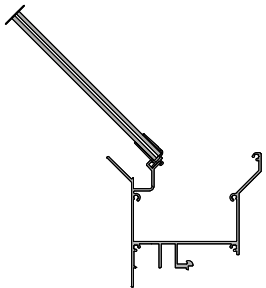
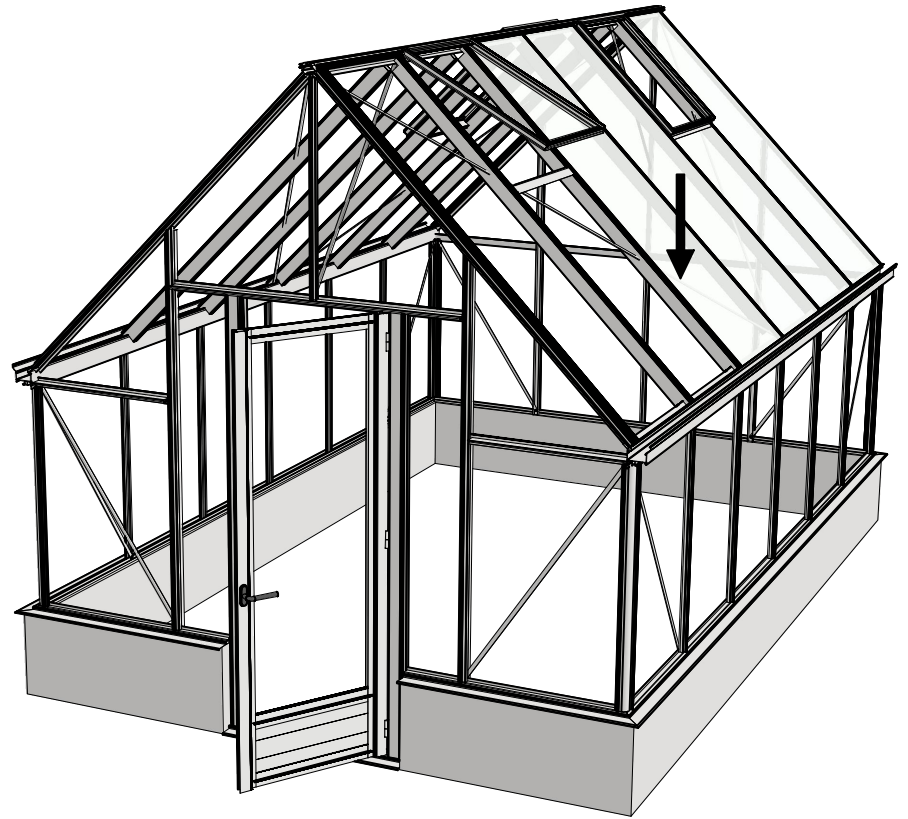
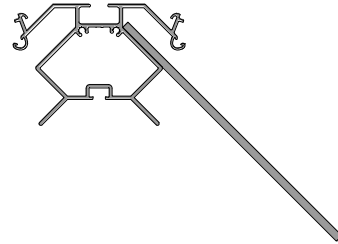
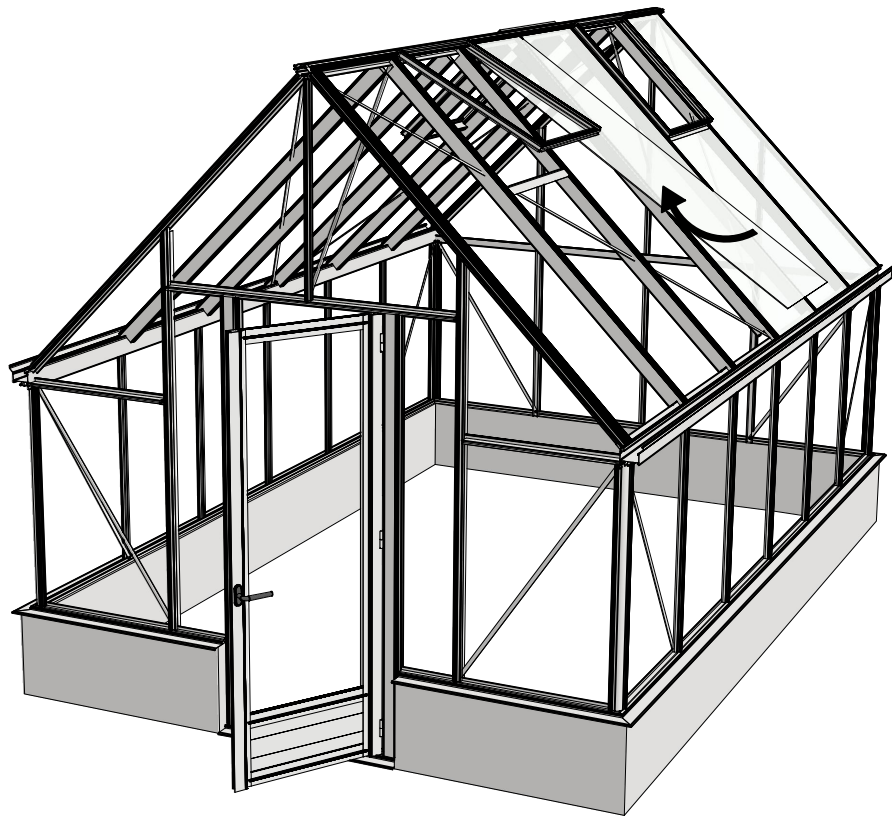
Glass Dimensions Nv Euro-serre		Euro-Rustic on wall			3,09m	GlassH: 920	Wall H: 630			
Glass Size 730mm	Sides	Single		Roof	Size Lenght x Wide	Poly		m <sup>2</sup>	m <sup>2</sup>	
	920 x 730 1450 x 290	1350 x 620		2110 x 730	1273 x 730 825 x 730	2110 x 730	1273 x 730			
Euro-Rustic on wall 3,09m x 3,09m	14	2	1	6	2	2 or 2	6	2	13,4	12,3
Euro-Rustic on wall 3,09m x 3,80m	16	2	1	8	2	2 or 2	8	2	15,0	15,4
Euro-Rustic on wall 3,09m x 4,57m	18	2	1	9	3	3 or 3	9	3	16,7	18,5
Euro-Rustic on wall 3,09m x 5,30m	20	2	1	11	3	3 or 3	11	3	18,3	21,5
Euro-Rustic on wall 3,09m x 6,04m	22	2	1	12	4	4 or 4	12	4	19,9	24,6
									0,0	
									0,0	
									0,0	
									0,0	

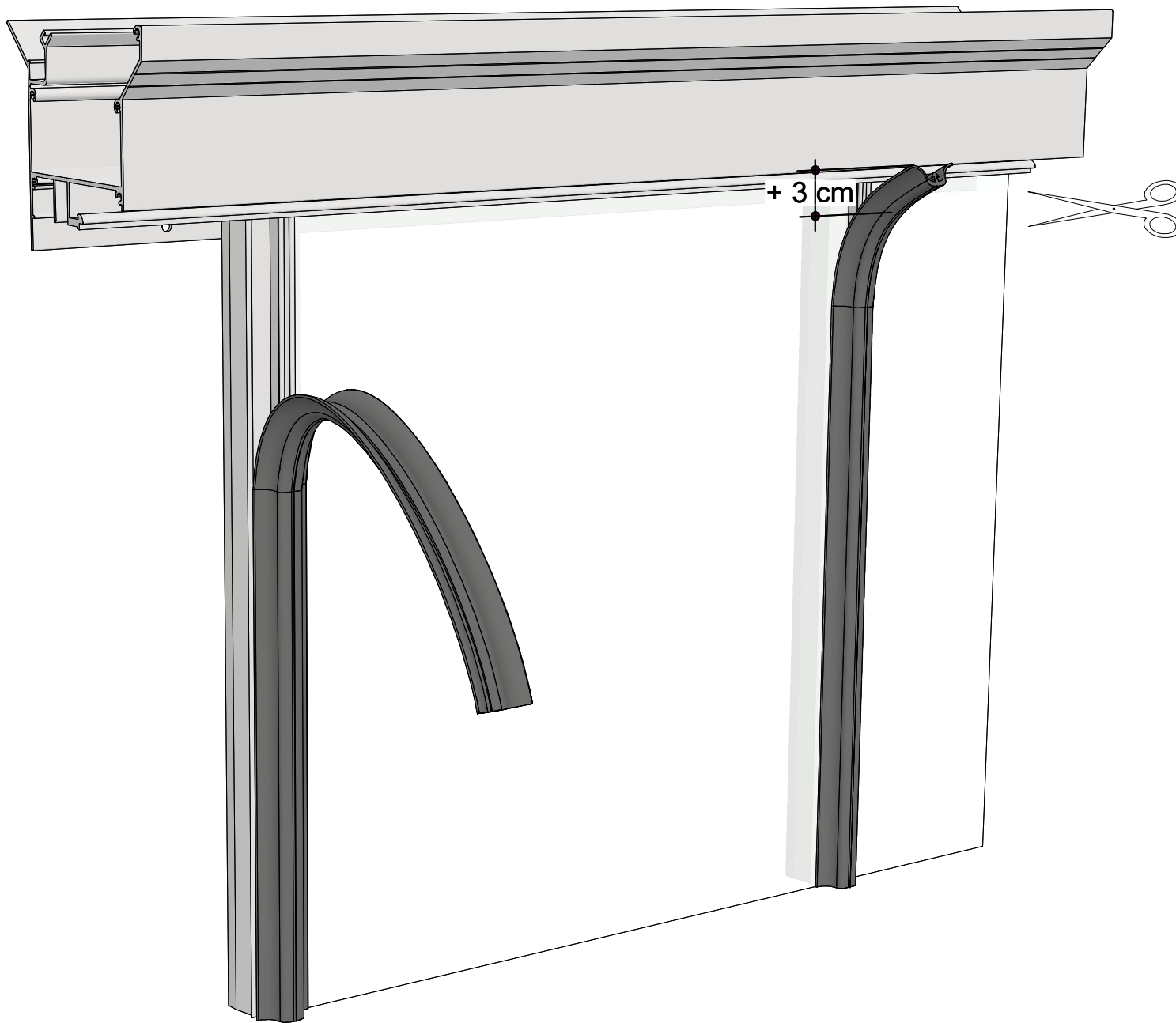


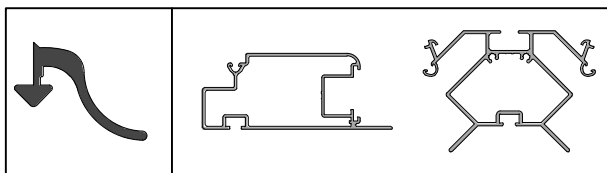
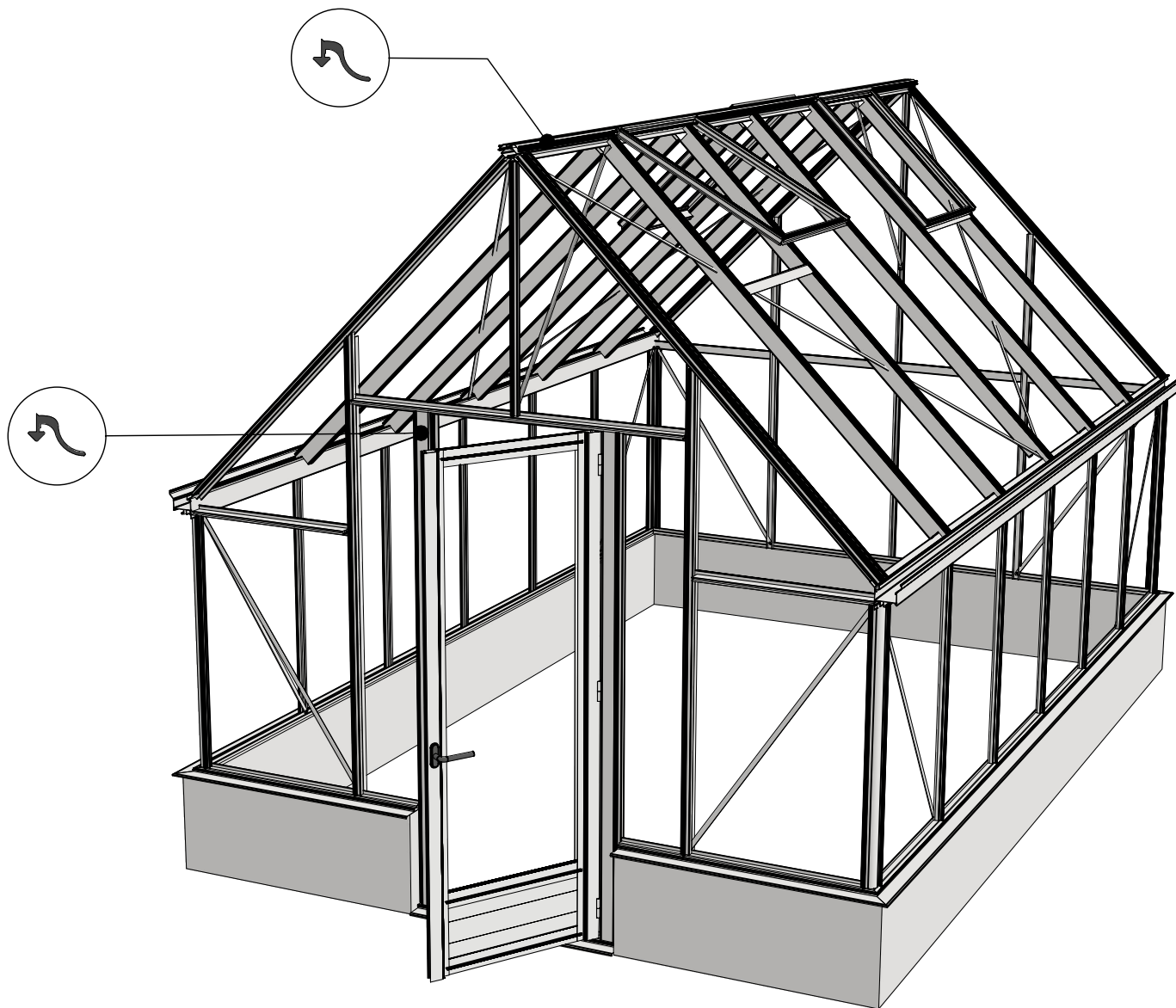
6,09 m<sup>2</sup>

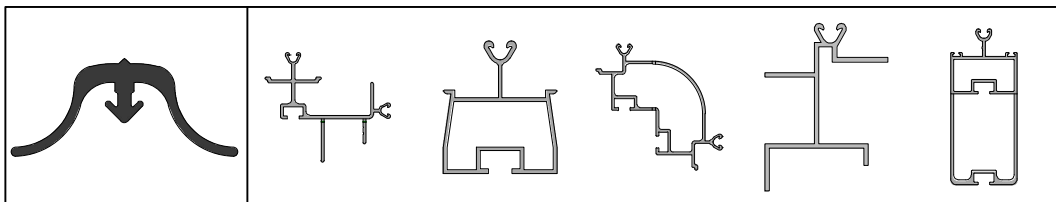
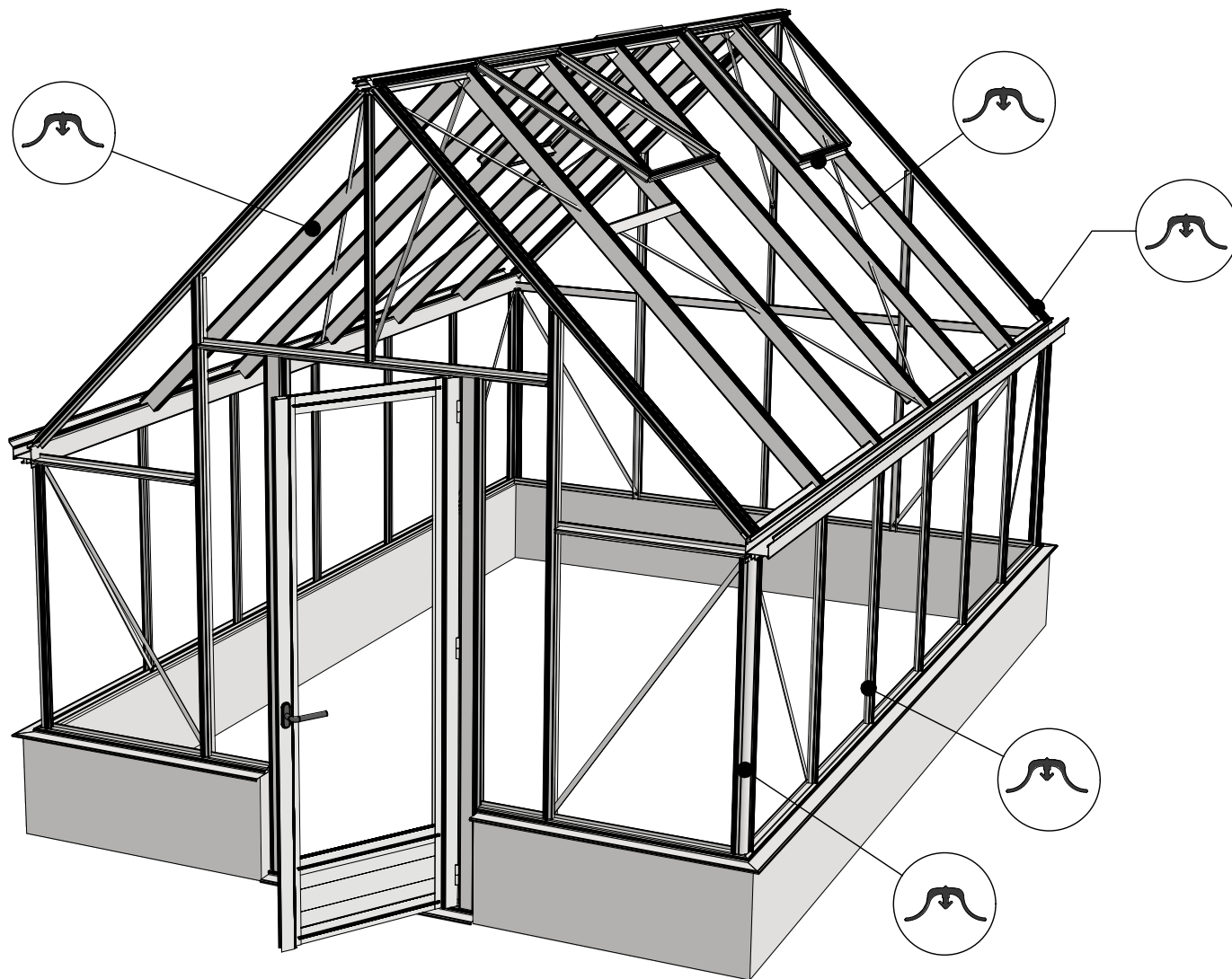
Opgemaakt op 30-06-2022

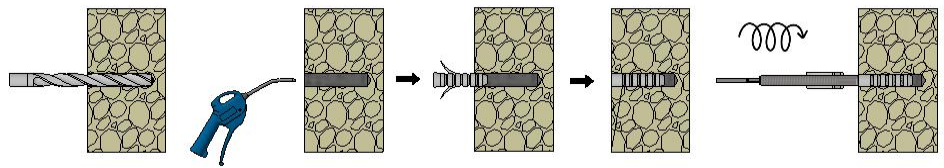







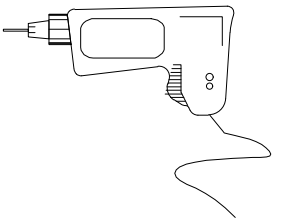


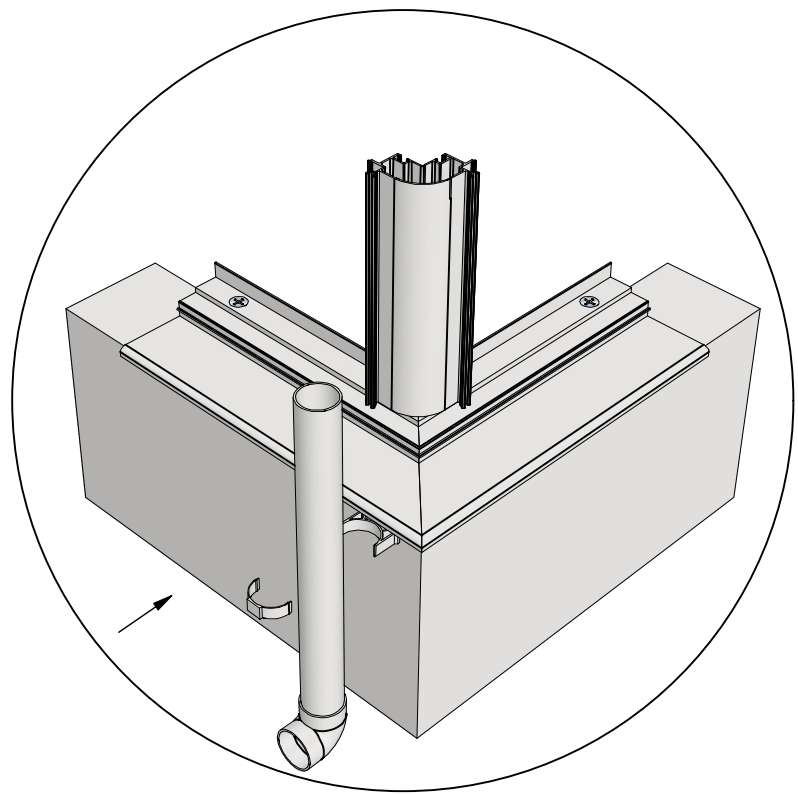
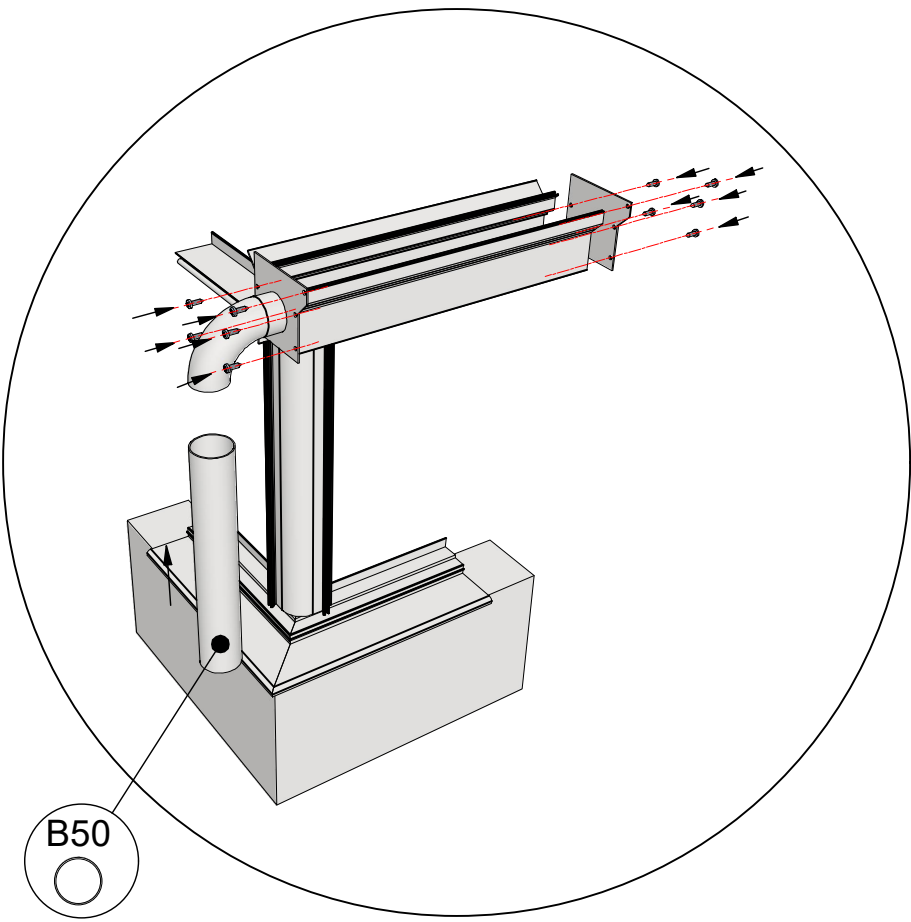




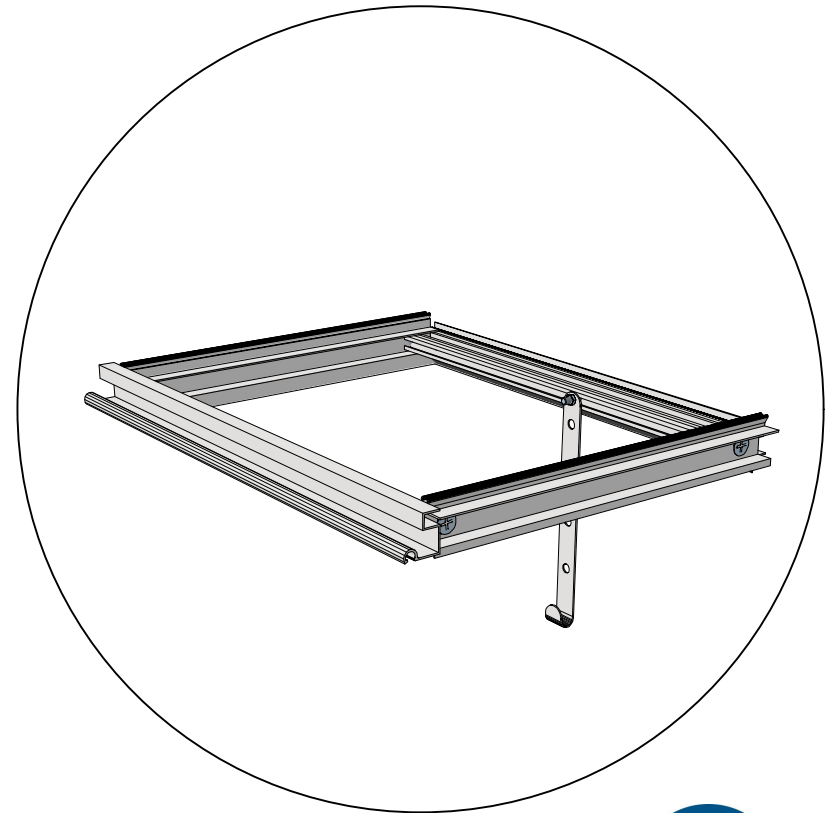
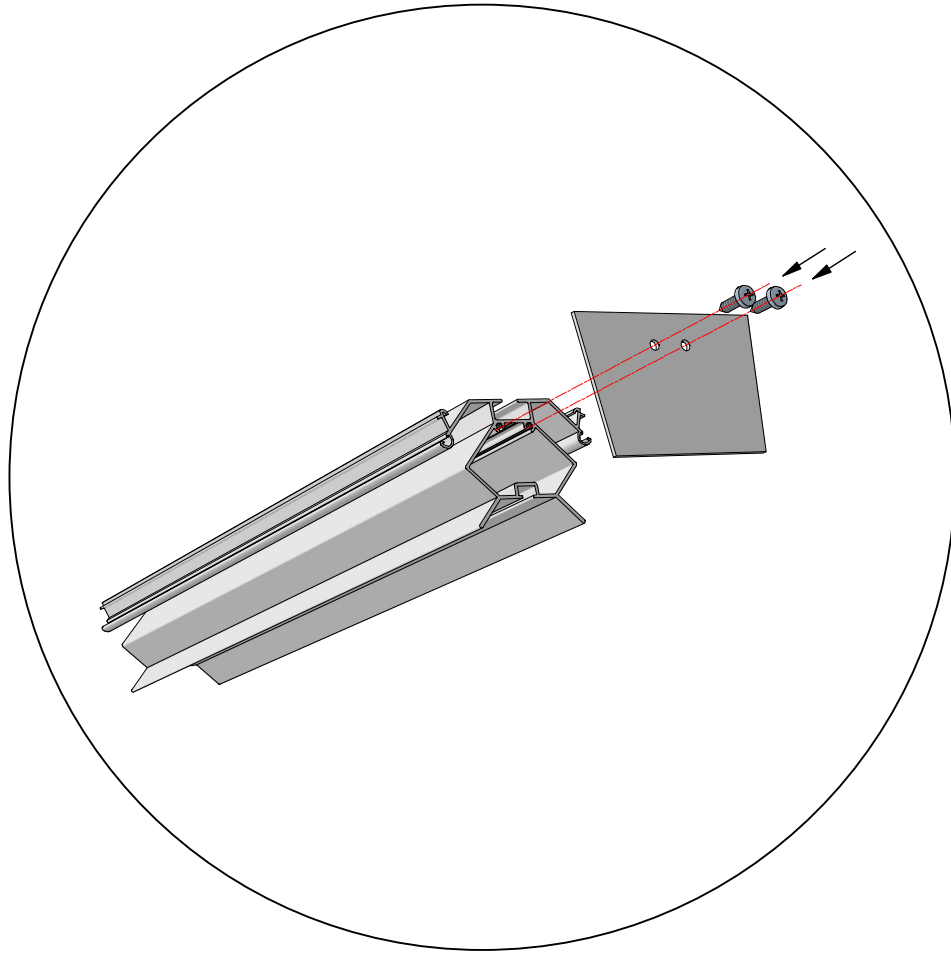
 = 8x40

 = 6x90

$\varnothing = 8\text{mm}$  



  = 4,8x16







**Geleenlaan 1 - 3600 Genk**

**ref: Rustiq on wall-001 Rev. 05.10.2023**

**OCBS - 1148-CPR-20231003-989 (€**

**EN 1090-1 EXC 1**

**Euro-Rustiq on wall**

**[www.euroserre.com/cecificaten](http://www.euroserre.com/cecificaten)**