

SH9002H	SH9002H5	SH9003H	SH9003H5	SH9004H	SH9004H5	SH9005H
1184×299×85cm 1168×200×36cm 1500×302cm 1500×200cm	1184×349×87cm 1168×250×38cm 1500×352cm 1500×250cm	1184×399×89cm 1168×300×40cm 1500×402cm 1500×300cm	1184×449×91cm 1168×350×42cm 1500×452cm 1500×350cm	1184×499×93cm 1168×400×44cm 1500×502cm 1500×400cm	1184×549×95cm 1167×450×46cm 1500×552cm 1500×450cm	1184×599×97cm 1168×500×48cm 1500×602cm 1500×500cm

Outer Size (L×W×H):
Inner Size (L×W×H):
Rail Outer Size (L×W):
Rail Inner Size (L×W):

Yttere storlek (L×B×H):
Inre storlek (L×B×H):
Räls yttre storlek (L×B):
Räls inre storlek (L×B):

Udvendig størrelse (L×B×H):
Indvendig størrelse (L×B×H):
Skinne ydre størrelse (L×B):
Skinne indre størrelse (L×B):

Ytre størrelse (L×B×H):
Indre størrelse (L×B×H):
Skinne ytre størrelse (L×B):
Skinne indre størrelse (L×B):

Ulompi koko (P×L×K):
Sisäinen koko (P×L×K):
Kiskon ulkokoko (P×L):
Kiskon sisäkoko (P×L):








Please read carefully before assembling
Two people are needed



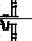
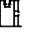

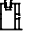

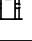
Läs noggrant innan montering.
Det krävs två personer för montering.

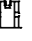
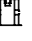


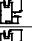

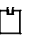


Les monteringsanvisningen nøye innen montering.
Det kreves to personer for montering.

Læs venligst omhyggeligt, før montering.
Der kræves to personer til montering.

Lue ohjeet huolellisesti läpi ennen asentamista.
Asentamiseen tarvitaan kaksi henkilöä.

Part	product	NO.	Length(mm)	QTY.	code	Page
	SH9002F	92X-A4-1	2036	1	9X-A4-1	P1
	SH9002F5	925X-A4-1	2538			
	SH9003F	93X-A4-1	3041			
	SH9003F5	935X-A4-1	3543			
	SH9004F	94X-A4-1	4046			
	SH9004F5	945X-A4-1	4548			
	SH9005F	95X-A4-1	5051			
	SH9002F	92X-A4-2	2245	1	9X-A4-2	P11
	SH9002F5	925X-A4-2	2747			
	SH9003F	93X-A4-2	3250			
	SH9003F5	935X-A4-2	3752			
	SH9004F	94X-A4-2	4255			
	SH9004F5	945X-A4-2	4758			
	SH9002F	92X-A4-2X	2245	1	9X-A4-2X	P11
	SH9002F5	925X-A4-2X	2747			
	SH9003F	93X-A4-2X	3250			
	SH9003F5	935X-A4-2X	3752			
	SH9004F	94X-A4-2X	4255			
	SH9004F5	945X-A4-2X	4758			
	SH9002F	92X-A4-3	2455	1	9X-A4-3	P20
	SH9002F5	925X-A4-3	2957			
	SH9003F	93X-A4-3	3460			
	SH9003F5	935X-A4-3	3962			
	SH9004F	94X-A4-3	4465			
	SH9004F5	945X-A4-3	4967			
	SH9002F	92X-A4-3X	2455	1	9X-A4-3X	P20
	SH9002F5	925X-A4-3X	2957			
	SH9003F	93X-A4-3X	3460			
	SH9003F5	935X-A4-3X	3962			
	SH9004F	94X-A4-3X	4465			
	SH9004F5	945X-A4-3X	4967			
	SH9002F	92X-A4-4	2665	1	9X-A4-4	P29
	SH9002F5	925X-A4-4	3167			
	SH9003F	93X-A4-4	3670			
	SH9003F5	935X-A4-4	4172			
	SH9004F	94X-A4-4	4675			
	SH9004F5	945X-A4-4	5177			
	SH9002F	92X-A4-4X	2665	1	9X-A4-4X	P29
	SH9002F5	925X-A4-4X	3167			
	SH9003F	93X-A4-4X	3670			
	SH9003F5	935X-A4-4X	4172			
	SH9004F	94X-A4-4X	4675			
	SH9004F5	945X-A4-4X	5177			

Part	product	NO.	Length(mm)	QTY.	code	Page				
	SH9005F	94X-A4-4X	5680	1	9X-A5-5X	P38				
	SH9002H	92X-A5-5X	2875							
	SH9002H5	925X-A5-5X	3378							
	SH9003H	93X-A5-5X	3880							
	SH9003H5	935X-A5-5X	4382							
	SH9004H	94X-A5-5X	4885							
	SH9004H5	945X-A5-5X	5387							
	SH9005H	95X-A5-5X	5890							
			90X-A-1				180	2		P2
			90X-A-2				265	2		P12
		90X-A-2X	265	2		P12				
		90X-A-3	349	2		P21				
		90X-A-3X	349	2		P21				
		90X-A-4	432	2		P30				
		90X-A-4X	432	2		P30				
		90X-A-5X	514	1		P39				
		90X-A-5S	514	1		P39				
		SH9002F	92X-B4-1	2036	1	9X-B4-1	P1			
SH9002F5		925X-B4-1	2538							
SH9003F		93X-B4-1	3041							
SH9003F5		935X-B4-1	3543							
SH9004F		94X-B4-1	4046							
SH9004F5		945X-B4-1	4548							
	SH9002F	92X-B4-2	2245	1	9X-B4-2	P11				
	SH9002F5	925X-B4-2	2747							
	SH9003F	93X-B4-2	3250							
	SH9003F5	935X-B4-2	3752							
	SH9004F5	94X-B4-2	4255							
	SH9005F	95X-B4-2	5260							
	SH9002F	92X-B4-3	2455	1	9X-B4-3	P20				
	SH9002F5	925X-B4-3	2957							
	SH9003F	93X-B4-3	3460							
	SH9003F5	935X-B4-3	3962							
	SH9004F	94X-B4-3	4465							
	SH9004F5	945X-B4-3	4967							
	SH9002F	92X-B4-4	2665	1	9X-B4-4	P29				
	SH9002F5	925X-B4-4	3167							
	SH9003F	93X-B4-4	3670							
	SH9003F5	935X-B4-4	4172							
	SH9004F	94X-B4-4	4675							
	SH9004F5	945X-B4-4	5177							
	SH9002H	92X-B5-5	2875	1	9X-B5-5	P38				
	SH9002H5	925X-B5-5	3378							

Part	product	NO.	Length(mm)	QTY.	code	Page
	SH9003H	93X-B5-5	3880	1	9X-B5-5	P38
	SH9003H5	935X-B5-5	4382			
	SH9004H	94X-B5-5	4885			
	SH9004H5	945X-B5-5	5387			
	SH9005H	95X-B5-5	5890			
			90X-B-1			
		90X-B-2	265	2		P12
		90X-B-3	349	2		P21
		90X-B-4	432	2		P30
		90X-B-5	514	2		P39
	SH9002F	92X-C4-1	2036	1	9X-C4-1	P1
	SH9002F5	925X-C4-1	2538			
	SH9003F	93X-C4-1	3041			
	SH9003F5	935X-C4-1	3543			
	SH9004F	94X-C4-1	4046			
	SH9004F5	945X-C4-1	4548			
	SH9002H	92X-C5-5	2875	1	9X-C5-5	P38
	SH9002H5	925X-C5-5	3378			
	SH9003H	93X-C5-5	3880			
	SH9003H5	935X-C5-5	4382			
	SH9004H	94X-C5-5	4885			
	SH9004H5	945X-C5-5	5387			
		90X-C4-1-L	180	1		P2
		90X-C4-1-R	180	1		P2
		90X-C5-5-L	514	1		P39
		90X-C5-5-R	514	1		P39
		90X-D-A	1099	2		P1
		90X-D-B	1110	6		P11-29
		90X-D-C	1140	2		P38
	SH9002F	92X-DX-1	200	1	9X-DX-1	P4
	SH9002F5	925X-DX-1	222			
	SH9003F	93X-DX-1	244			
	SH9003F5	935X-DX-1	266			
	SH9004F	94X-DX-1	288			
	SH9004F5	945X-DX-1	310			
	SH9002H	92X-DX-5	612	1	9X-DX-5	P41
	SH9002H5	925X-DX-5	633			
	SH9003H	93X-DX-5	655			
	SH9003H5	935X-DX-5	676			
	SH9004H	94X-DX-5	698			
	SH9004H5	945X-DX-5	719			
		90X-E-A	1099	4		P1

Part	product	NO.	Length(mm)	QTY.	code	Page
		90X-E-B	1110	12		P11-29
		90X-E-C	1140	3		P38
□	SH9002F	92X-E-1-L	183	1	9X-E-1-L	P4
	SH9002F5	925X-E-1-L	199			
	SH9003F	93X-E-1-L	215			
	SH9003F5	935X-E-1-L	232			
	SH9004F	94X-E-1-L	248			
	SH9004F5	945X-E-1-L	265			
	SH9005F	95X-E-1-L	281			
	SH9002F	92X-E-1-R	183			
□	SH9002F5	925X-E-1-R	199	1	9X-E-1-R	P4
	SH9003F	93X-E-1-R	215			
	SH9003F5	935X-E-1-R	232			
	SH9004F	94X-E-1-R	248			
	SH9004F5	945X-E-1-R	265			
□	SH9002H	92X-E-5-L	575	1	9X-E-5-L	P41
	SH9002H5	925X-E-5-L	591			
	SH9003H	93X-E-5-L	607			
	SH9003H5	935X-E-5-L	623			
	SH9004H	94X-E-5-L	639			
	SH9004H5	945X-E-5-L	656			
□	SH9002H	92X-E-5-R	575	1	9X-E-5-R	P41
	SH9002H5	925X-E-5-R	591			
	SH9003H	93X-E-5-R	607			
	SH9003H5	935X-E-5-R	623			
	SH9004H	94X-E-5-R	639			
	SH9004H5	945X-E-5-R	656			
		90X-F-A-L	2400	1		P2
		90X-F-A-R	2400	1		P2
		90X-F	2400	6		P12-29
		90X-F-B	2480	1		P39
		90X-F-C	1260	1		P39
		90X-F-D	80	1		P39
		90X-G-A-L	2400	1		P2
		90X-G-A-R	2400	1		P2
		90X-G-B-L	2400	3		P12-30
		90X-G-B-R	2400	3		P12-30
		90X-G-C-L	2480	1		P39
		90X-G-C-R	2480	1		P39
□	SH9002F	90X-H2	2003	1	9X-HX	P4
	SH9002F5	90X-H25	2503			
	SH9003F	90X-H3	3003			






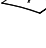
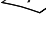
Part	product	NO.	Length(mm)	QTY.	code	Page
□	SH9003F5	90X-H35	3503	1	9X-HX	P4
	SH9004F	90X-H4	4003			
	SH9004F5	90X-H45	4503			
	SH9005F	90X-H5	5003			
□	SH9002H	90X-H2-5	2828	1	9X-HX-X	P41
	SH9002H5	90X-H25-5	3328			
	SH9003H	90X-H3-5	3828			
	SH9003H5	90X-H35-5	4328			
	SH9004H	90X-H4-5	4828			
	SH9004H5	90X-H45-5	5328			
		90X-H5-5	5828			
□	SH9002F	92X-I4-1	2036	2	9X-I4-1	P6
	SH9002F5	925X-I4-1	2538			
	SH9003F	93X-I4-1	3041			
	SH9003F5	935X-I4-1	3543			
	SH9004F	94X-I4-1	4046			
	SH9004F5	945X-I4-1	4548			
□	SH9002F	92X-I4-2	2245	2	9X-I4-2	P15
	SH9002F5	925X-I4-2	2747			
	SH9003F	93X-I4-2	3250			
	SH9003F5	935X-I4-2	3752			
	SH9004F	94X-I4-2	4255			
□	SH9004F5	945X-I4-2	4758	2	9X-I4-3	P24
	SH9005F	95X-I4-2	5260			
	SH9002F	92X-I4-3	2455			
	SH9002F5	925X-I4-3	2957			
	SH9003F	93X-I4-3	3460			
□	SH9003F5	935X-I4-3	3962	2	9X-I4-4	P33
	SH9004F	94X-I4-3	4465			
	SH9004F5	945X-I4-3	4967			
	SH9005F	95X-I4-3	5470			
	SH9002F	92X-I4-4	2665			
□	SH9002F5	925X-I4-4	3167	2	9X-I4-4	P33
	SH9003F	93X-I4-4	3670			
	SH9003F5	935X-I4-4	4172			
	SH9004F	94X-I4-4	4675			
	SH9004F5	945X-I4-4	5177			
□	SH9005F	95X-I4-4	5680	1	9X-I4-4-1	P9
	SH9002F	92X-IX-4-1	2020			
	SH9002F5	925X-IX-4-1	2523			
	SH9003F	93X-IX-4-1	3026			
	SH9003F5	935X-IX-4-1	3528			
□	SH9004F	94X-IX-4-1	4031	1	9X-IX-4-1	P9
	SH9004F5	945X-IX-4-1	4534			
	SH9005F	95X-IX-4-1	5036			
	SH9002H	92X-IX-5-5	2865			
□				1	9X-IX-5-5	P46

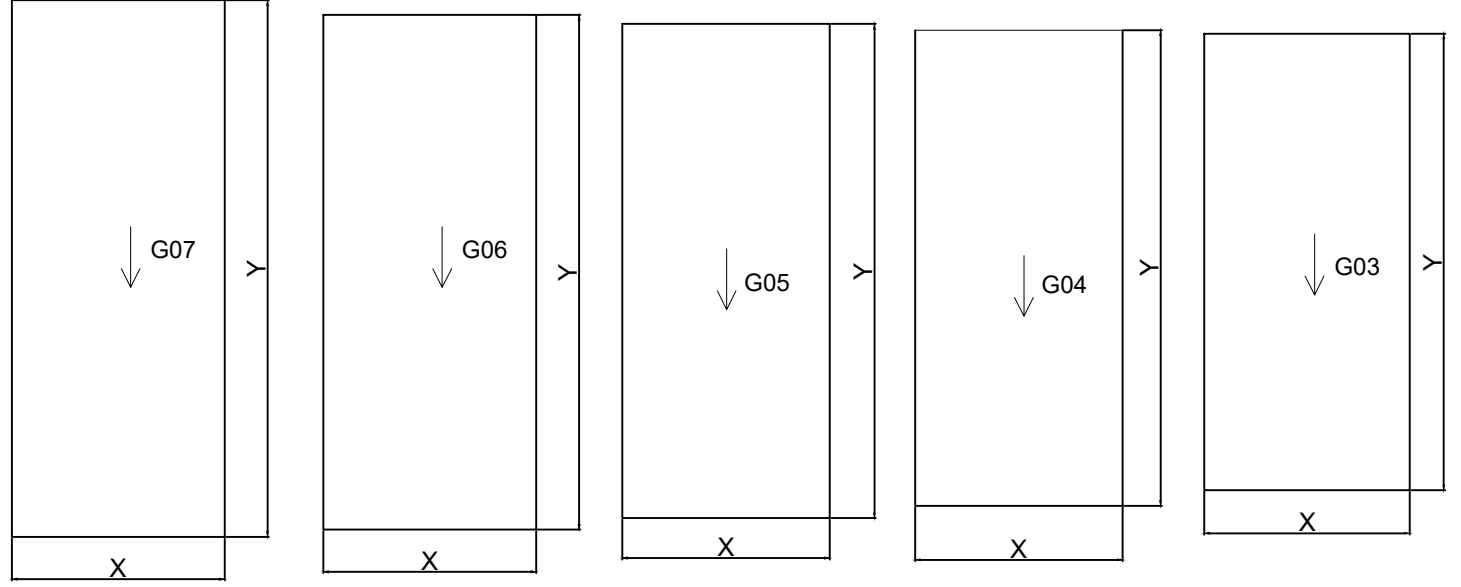
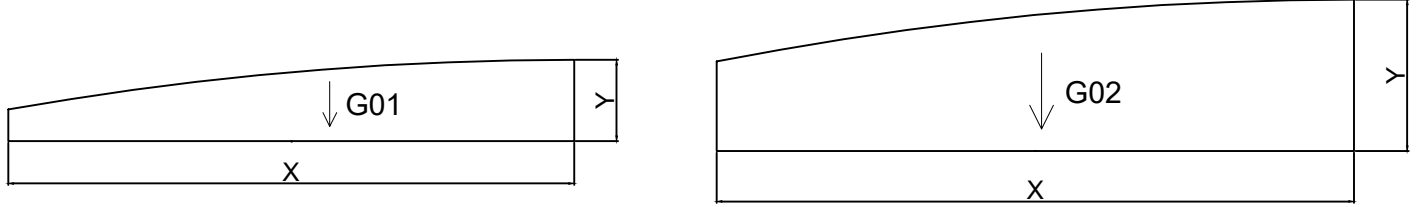
Part	product	NO.	Length(mm)	QTY.	code	Page
□	SH9002H5	925X-IX-5-5	3367	1	9X-IX-5-5	P46
	SH9003H	93X-IX-5-5	3869			
	SH9003H5	935X-IX-5-5	4371			
	SH9004H	94X-IX-5-5	4873			
	SH9004H5	945X-IX-5-5	5375			
	SH9005H	95X-IX-5-5	5877			
□	SH9002H	92X-I5-1	2875	2	9X-I5-1	P43
	SH9002H5	925X-I5-1	3378			
	SH9003H	93X-I5-1	3880			
	SH9003H5	935X-I5-1	4382			
	SH9004H	94X-I5-1	4885			
	SH9004H5	945X-I5-1	5387			
		95X-I5-1	5890			
□		90X-I	2400	24		P9-36
□		90X-I-B	2480	4		P46
□		90X-I-C	1260	2		P46
□		90X-I-D	80	2		P46
□		90X-I-1	180	6		P9
□		90X-I-2	265	4		P18
□		90X-I-3	349	4		P27
□		90X-I-4	432	4		P36
□		90X-I-5	512	6		P46
□	SH9002F	92X-J4-1	2036	1	9X-J4-1	P6
	SH9002F5	925X-J4-1	2538			
	SH9003F	93X-J4-1	3041			
	SH9003F5	935X-J4-1	3543			
	SH9004F	94X-J4-1	4046			
	SH9004F5	945X-J4-1	4548			
□	SH9005F	95X-J4-1	5051	1	9X-J4-2	P15
	SH9002F	92X-J4-2	2245			
	SH9002F5	925X-J4-2	2747			
	SH9003F	93X-J4-2	3250			
	SH9003F5	935X-J4-2	3752			
□	SH9004F	94X-J4-2	4255	1	9X-J4-2	P15
	SH9004F5	945X-J4-2	4758			
	SH9005F	95X-J4-2	5260			
	SH9002F	92X-J4-3	2455			
	SH9002F5	925X-J4-3	2957			
□	SH9003F	93X-J4-3	3460	1	9X-J4-3	P24
	SH9003F5	935X-J4-3	3962			
	SH9004F	94X-J4-3	4465			
	SH9004F5	945X-J4-3	4967			
	SH9005F	95X-J4-3	5470			
□	SH9002F	92X-J4-4	2665	1	9X-J4-4	P33
	SH9002F5	925X-J4-4	3167			
	SH9003F	93X-J4-4	3670			
	SH9003F5	935X-J4-4	4172			
	SH9004F	94X-J4-4	4675			

Part	product	NO.	Length(mm)	QTY.	code	Page
H	SH9004F	94X-J4-4	4675	1	9X-J4-4	P33
	SH9004F5	945X-J4-4	5177			
	SH9005F	95X-J4-4	5680			
H	SH9002H	92X-J5-5	2875	1	9X-J5-5	P43
	SH9002H5	925X-J5-5	3378			
	SH9003H	93X-J5-5	3880			
	SH9003H5	935X-J5-5	4382			
	SH9004H	94X-J5-5	4885			
	SH9004H5	945X-J5-5	5387			
	SH9005H	95X-J5-5	5890			
H		90X-J-A	1099	2		P6
H		90X-J-B	1110	6		P15-33
H		90X-J-C	1140	2		P43
H		90X-J-1	180	2		P9
H		90X-J-2	265	2		P18
H		90X-J-3	349	2		P27
H		90X-J-4	432	2		P36
H		90X-J-5	512	2		P46
H	SH9002F	92X-JX-1	200	1	9X-JX-1	P9
	SH9002F5	925X-JX-1	222			
	SH9003F	93X-JX-1	244			
	SH9003F5	935X-JX-1	266			
	SH9004F	94X-JX-1	288			
	SH9004F5	945X-JX-1	310			
	SH9005F	95X-JX-1	331			
H	SH9002H	92X-JX-5	612	1	9X-JX-5	P46
	SH9002H5	925X-JX-5	633			
	SH9003H	93X-JX-5	655			
	SH9003H5	935X-JX-5	676			
	SH9004H	94X-JX-5	698			
	SH9004H5	945X-JX-5	719			
	SH9005H	95X-JX-5	741			
		90X-K-A	2480	1		P47
		90X-K-B	2480	1		P47
		90X-L	1280	2		P48
H	SH9002H	92X-M5-A	560	2	9X-M5-A	P48
	SH9002H5	925X-M5-A				
	SH9003H	93X-M5-A				
	SH9003H5	935X-M5-A				
	SH9004H	94X-M5-A				
	SH9004H5	945X-M5-A				
	SH9005H	95X-M5-A				
H	SH9002H	92X-M5-B	1443	2	9X-M5-B	P48
	SH9002H5	925X-M5-B	1694			
	SH9003H	93X-M5-B	1945			
	SH9003H5	935X-M5-B	2196			

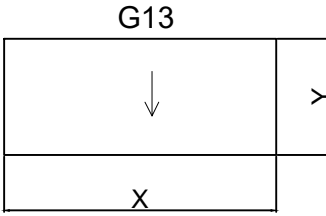
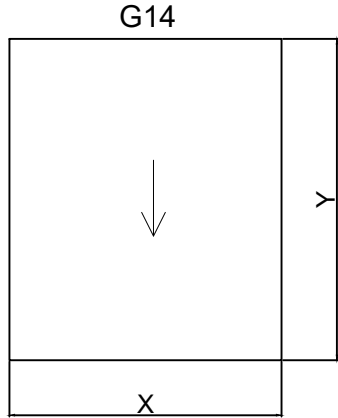
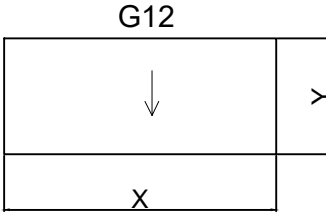
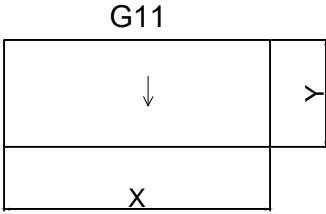
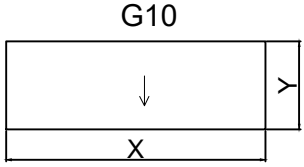
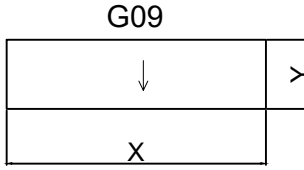
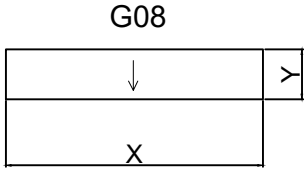
Part	product	NO.	Length(mm)	QTY.	code	Page
H	SH9004H	94X-M5-B	2447	2	9X-M5-B	P48
	SH9004H5	945X-M5-B	2699			
	SH9005H	95X-M5-B	2950			
		90X-N	1171	1		P48
		90X-O	1280	1		P48
H	SH9002H	92X-P5-A	560	2	9X-P5-A	P49
	SH9002H5	925XP5-A				
	SH9003H	93X-P5-A				
	SH9003H5	935X-P5-A				
	SH9004H	94X-P5-A				
	SH9004H5	945X-P5-A				
	SH9005H	95X-P5-A				
H	SH9002H	92X-P5-B	1443	2	9X-P5-B	P49
	SH9002H5	925X-P5-B	1694			
	SH9003H	93X-P5-B	1945			
	SH9003H5	935X-P5-B	2196			
	SH9004H	94X-P5-B	2447			
	SH9004H5	945X-P5-B	2699			
		90X-P	1280	4		P49
		90X-Q	1171	1		P49
		90X-R-50	5000	10		P54
		90X-R-50-L	5000	8		P54
		90X-R-50-R	5000	8		P54
		90X-R-50-A	5000	1		P54
		90X-R-50-B	5000	1		P54
		90X-R-50-C	5000	1		P54
		90X-R-50-D	5000	1		P54
		7C35-001L	PCS	11		P19-52
		7C35-001R	PCS	9		P19-52
		7C35-001XL	PCS	1		P52
		7C35-001XR	PCS	2		P52
		7C35-002	PCS	22		P52
		7C35-003L	PCS	2		P51
		7C35-003R	PCS	2		P51
		7C35-004L	PCS	2		P50
		7C35-004R	PCS	2		P50
		7C35-005	PCS	2		P50
		7B35-006	PCS	4		P51
		M4×8	PCS	4		P51
		7B35-007	PCS	6		P58
		M4×14	PCS	12		P58
		7B35-009	PCS	1		P39
		M4.0×20	PCS	1		P47


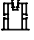
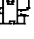




Part	product	NO.	Length(mm)	QTY.	code	Page
		7B35-012	PCS	16		P47
		ST4.2×13	PCS	64		P39
		7B35-014	PCS	2		P52
		Z6×30	PCS	4		P52
		ST4.2×20	PCS	5		P53
		7B35-018A	PCS	1		P53
		7B35-018B	PCS	1		P53
		ST4.2×13	PCS	4		P53
		J02	PCS	4		P54
		ST3.5×25	PCS	8		P54
		PSJ8-50	PCS	60		P55
		DQ6-12	PCS	60		P55
		SW6-50	PCS	60		P55
		Si6-10	PCS	692		P1-48
		Si6-14	PCS	8		P39
		J05	PCS	700		P1-48
	TOOLS		PCS	1		
			PCS	1		
			PCS	1		
			PCS	2		
			PCS	1		
			PCS	1		
			PCS	1		

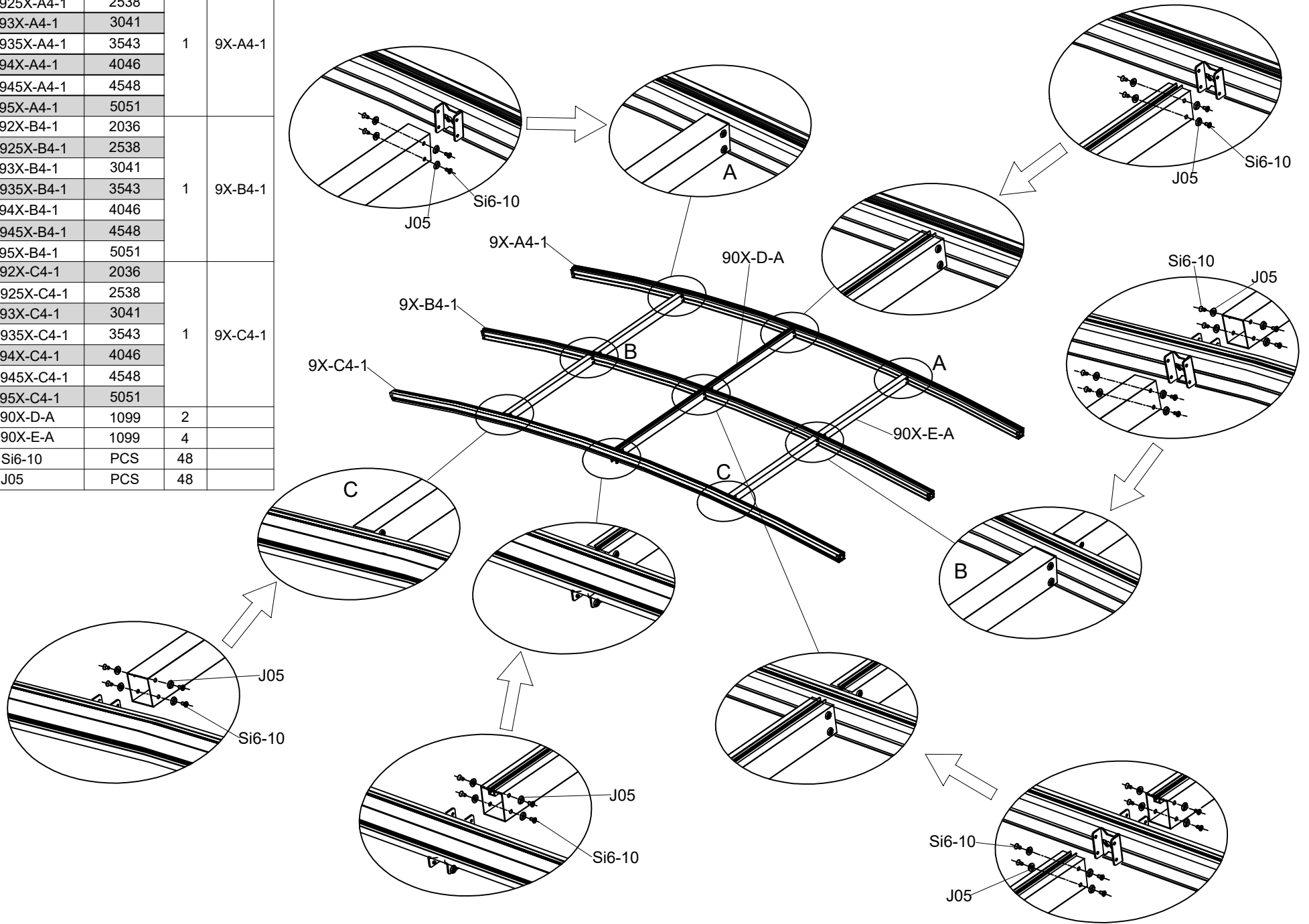
Part	product	NO.	QTY.	code	Page
	SH9002F	1010×228	2	G01	P8
	SH9002F5	1260×250			
	SH9003F	1510×272			
	SH9003F5	1760×293			
	SH9004F	2010×315			
	SH9004F5	2260×337			
	SH9005F	2510×359			
	SH9002H	1423×640	2	G02	P45
	SH9002H5	1673×661			
	SH9003H	1923×683			
	SH9003H5	2173×704			
	SH9004H	2423×724			
	SH9004H5	2673×748			
	SH9005H	2923×769			
	SH9002F	1141×1029	4	G03	P5
	SH9002F5	1141×1280			
	SH9003F	1141×1531			
	SH9003F5	1141×1783			
	SH9004F	1141×2034			
	SH9004F5	1141×2285			
	SH9005F	1141×2536			
	SH9002F	1151×1133	4	G04	P14
	SH9002F5	1151×1385			
	SH9003F	1151×1638			
	SH9003F5	1151×1887			
	SH9004F	1151×2138			
	SH9004F5	1151×2390			
	SH9005F	1151×2641			
	SH9002F	1151×1238	4	G05	P23
	SH9002F5	1151×1491			
	SH9003F	1151×1741			
	SH9003F5	1151×1992			
	SH9004F	1151×2243			
	SH9004F5	1151×2600			
	SH9005F	1151×2746			
	SH9002H	1151×1344	4	G06	P32
	SH9002H5	1151×1595			
	SH9003H	1151×1846			
	SH9003H5	1151×2097			
	SH9004H	1151×2348			
	SH9004H5	1151×2600			
	SH9005H	1151×2851			
	SH9002H	1181×1449	3	G07	P42
	SH9002H5	1181×1700			
	SH9003H	1181×1951			
	SH9003H5	1181×2202			
	SH9004H	1181×2453			
	SH9004H5	1181×2705			
	SH9005H	1181×2956			

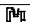



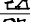
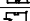






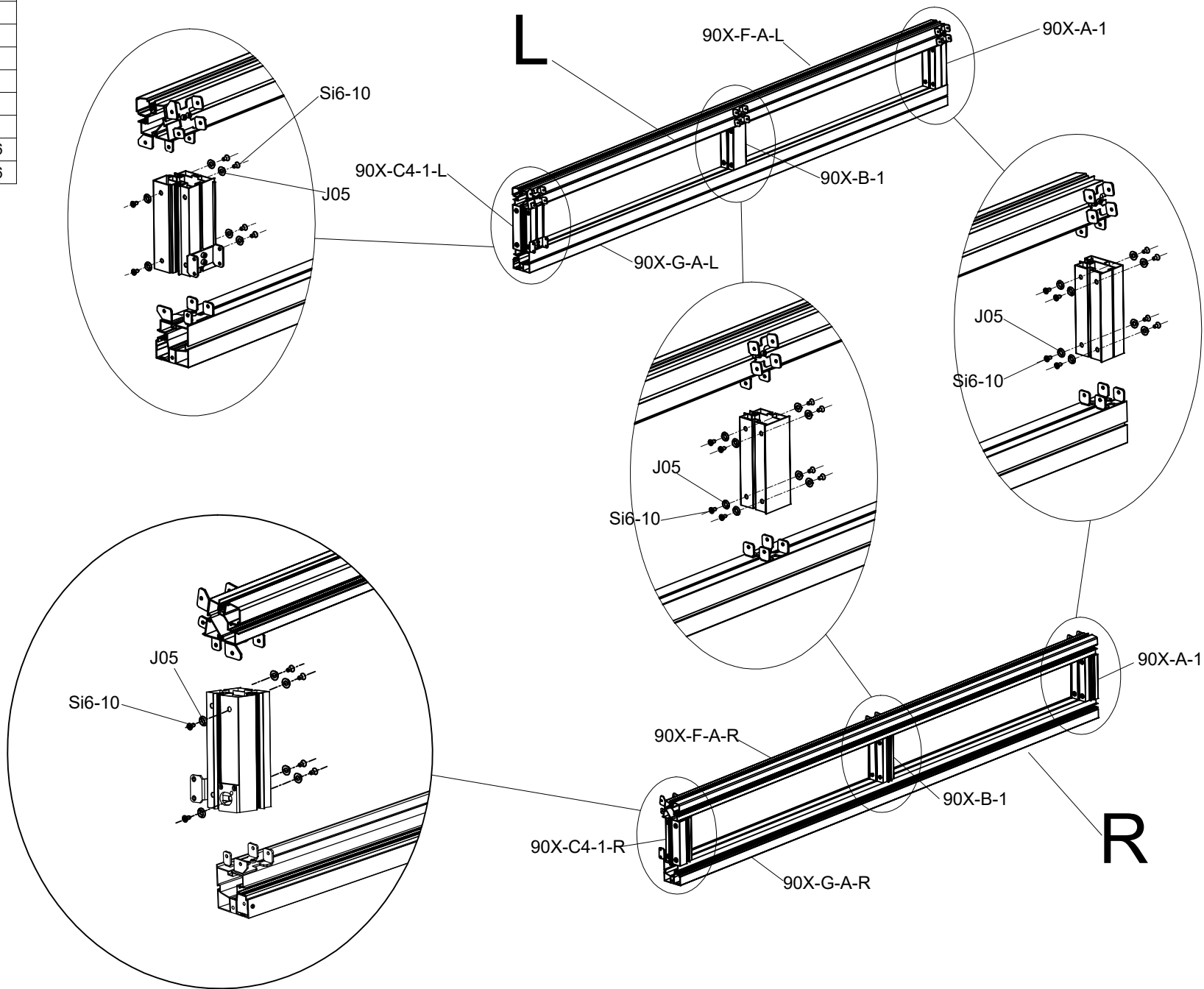
Part	product	NO.	QTY.	code	Page
/	SH9002F	1141×221	4	G08	P8
	SH9002F5				
	SH9003F				
	SH9003F5				
	SH9004F				
	SH9004F5				
	SH9005F				
/	SH9002F	1151×306	4	G09	P17
	SH9002F5				
	SH9003F				
	SH9003F5				
	SH9004F				
	SH9004F5				
	SH9005F				
/	SH9002F	1151×390	4	G10	P26
	SH9002F5				
	SH9003F				
	SH9003F5				
	SH9004F				
	SH9004F5				
	SH9005F				
/	SH9002H	1151×473	4	G11	P35
	SH9002H5				
	SH9003H				
	SH9003H5				
	SH9004H				
	SH9004H5				
	SH9005H				
/	SH9002H	1181×555	3	G12	P45
	SH9002H5				
	SH9003F				
	SH9003H5				
	SH9004H				
	SH9004H5				
	SH9005H				
/	SH9002H	1208×595	1	G13	P49
	SH9002H5				
	SH9003H				
	SH9003H5				
	SH9004H				
	SH9004H5				
	SH9005H				
/	SH9002H	1208×730	2	G14	P49
	SH9002H5	1208×855			
	SH9003H	1208×981			
	SH9003H5	1208×1106			
	SH9004H5	1208×1232			
	SH9004H5	1208×1358			
	SH9004H5	1208×1484			







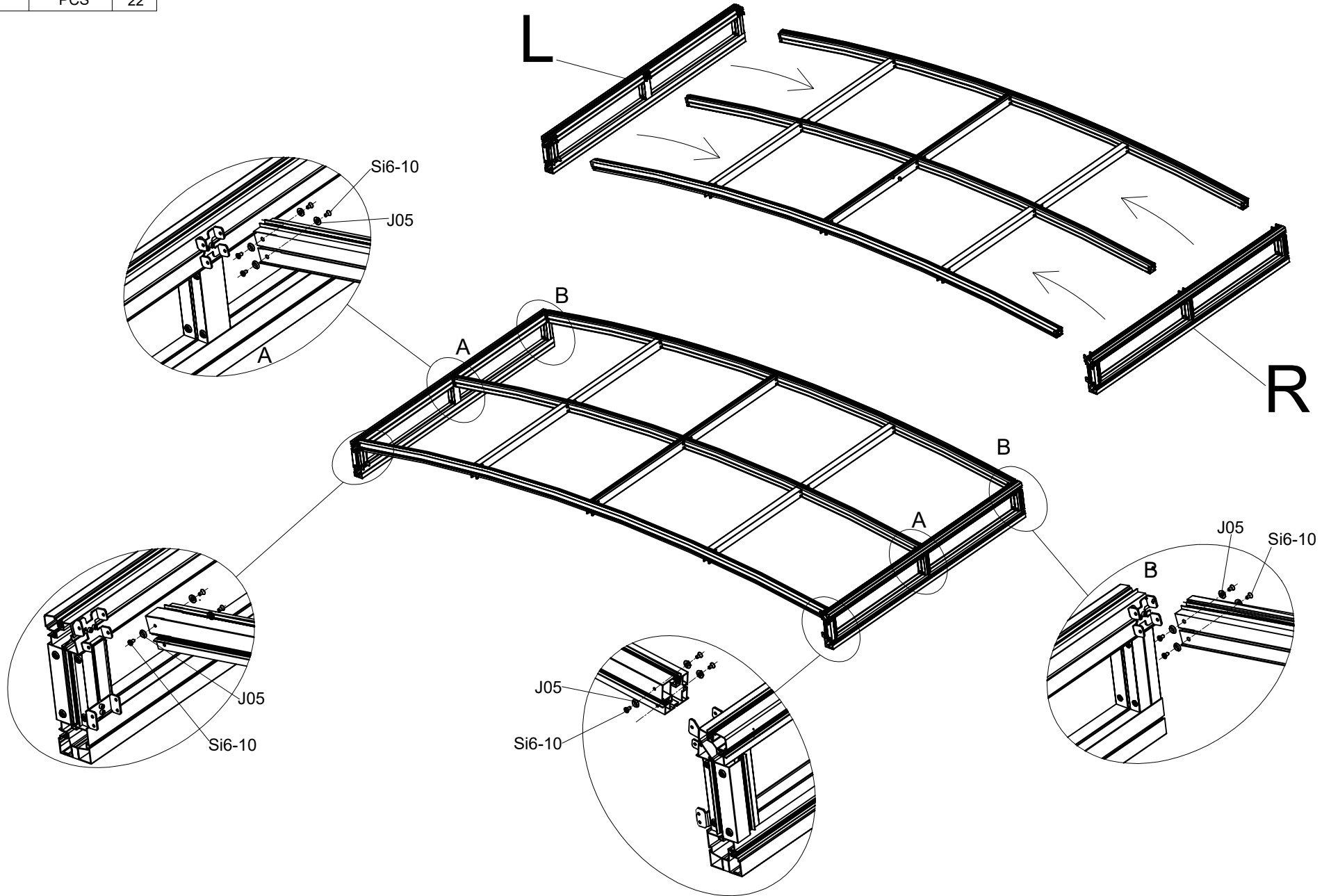
Part	product	NO.	Length(mm)	QTY.	code
	SH9002F	92X-A4-1	2036	1	9X-A4-1
	SH9002F5	925X-A4-1	2538		
	SH9003F	93X-A4-1	3041		
	SH9003F5	935X-A4-1	3543		
	SH9004F	94X-A4-1	4046		
	SH9004F5	945X-A4-1	4548		
	SH9005F	95X-A4-1	5051		
	SH9002F	92X-B4-1	2036	1	9X-B4-1
	SH9002F5	925X-B4-1	2538		
	SH9003F	93X-B4-1	3041		
	SH9003F5	935X-B4-1	3543		
	SH9004F	94X-B4-1	4046		
	SH9004F5	945X-B4-1	4548		
	SH9005F	95X-B4-1	5051		
	SH9002F	92X-C4-1	2036	1	9X-C4-1
	SH9002F5	925X-C4-1	2538		
	SH9003F	93X-C4-1	3041		
	SH9003F5	935X-C4-1	3543		
	SH9004F	94X-C4-1	4046		
	SH9004F5	945X-C4-1	4548		
	SH9005F	95X-C4-1	5051		
		90X-D-A	1099	2	
		90X-E-A	1099	4	
		Si6-10	PCS	48	
		J05	PCS	48	



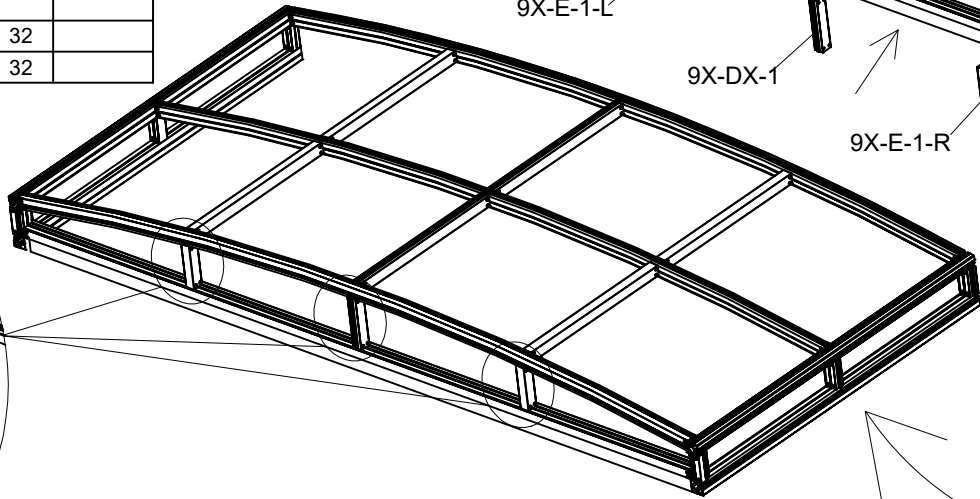
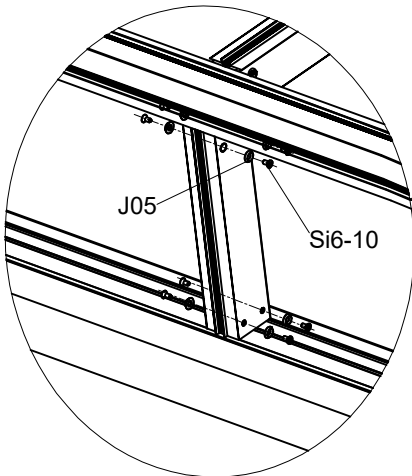
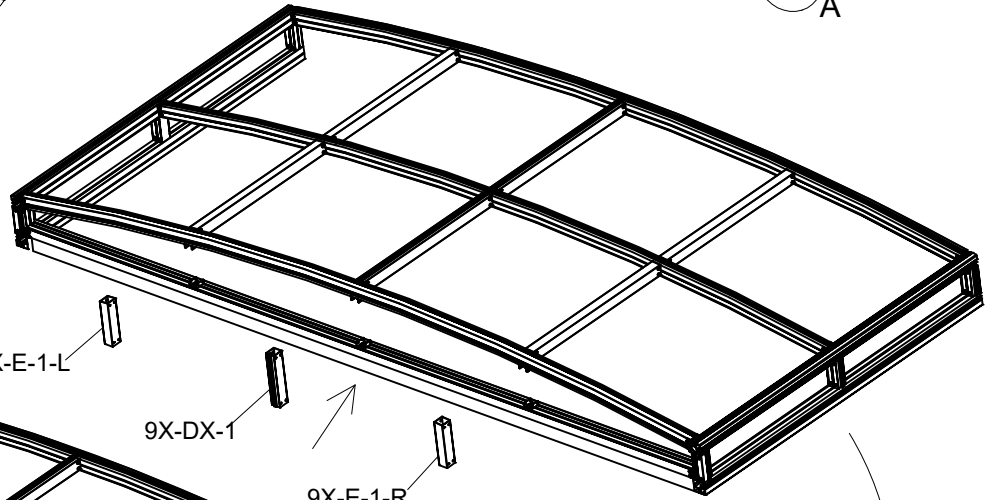
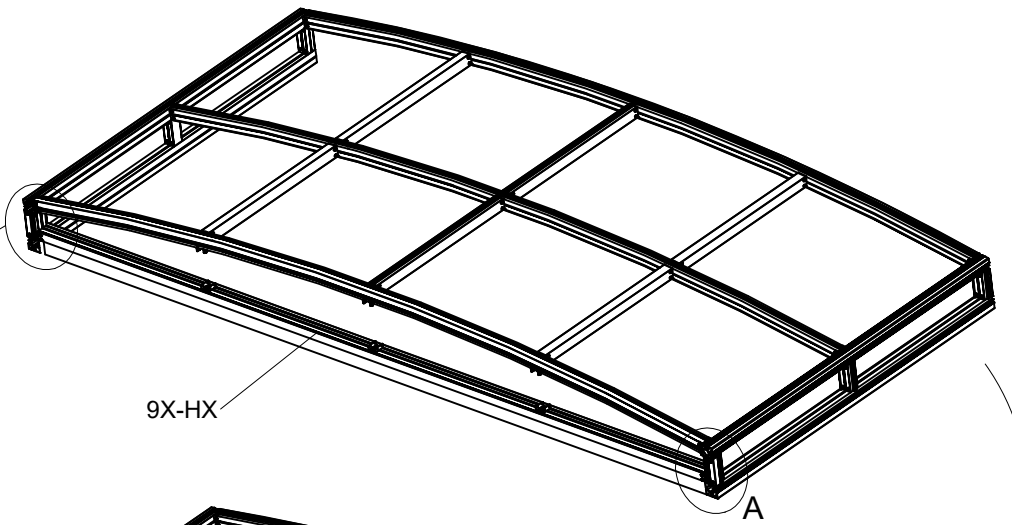
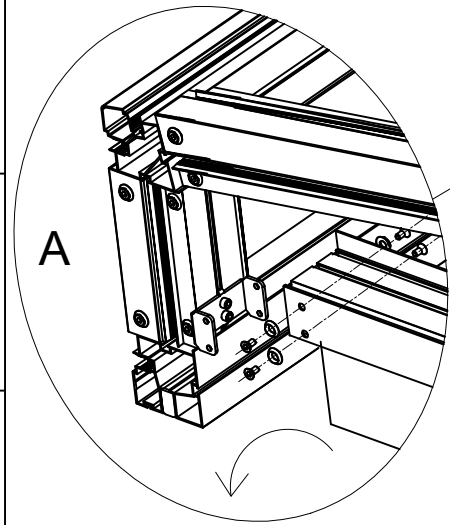
Part	NO.	Length(mm)	QTY.
	90X-A-1	180	2
	90X-B-1	180	2
	90X-C4-1-L	180	1
	90X-C4-1-R	180	1
	90X-F-A-L	2400	1
	90X-F-A-R	2400	1
	90X-G-A-L	2400	1
	90X-G-A-R	2400	1
	Si6-10	PCS	46
	J05	PCS	46




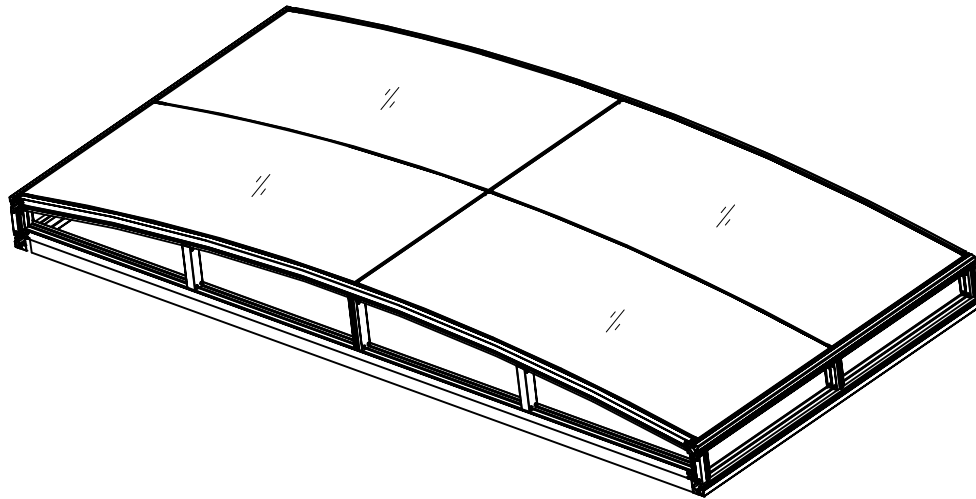
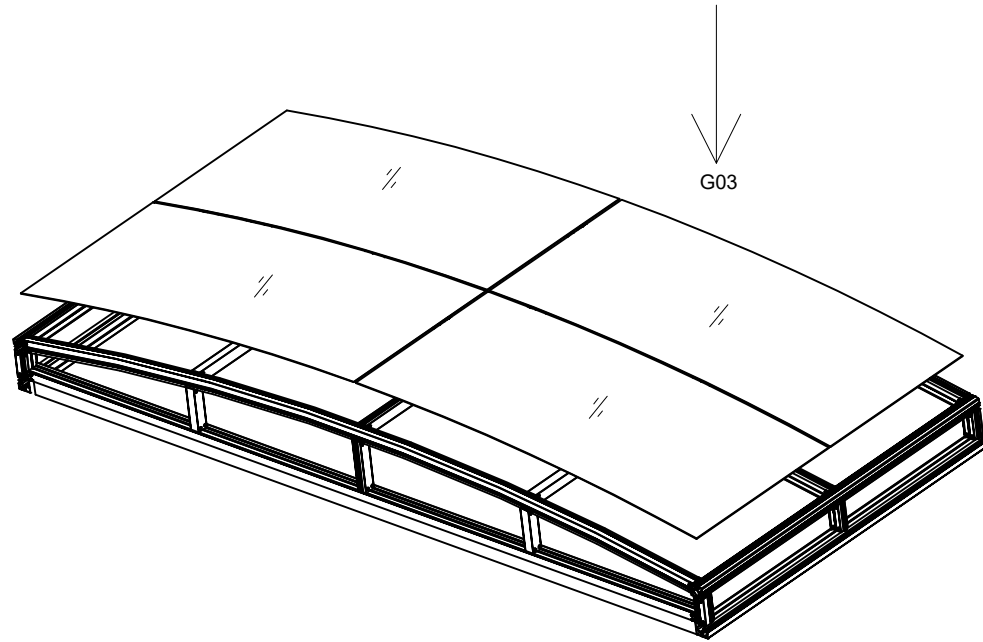
Part	NO.	Length(mm)	QTY.
	Page1	PCS	1
	Page2	PCS	1
	Si6-10	PCS	22
	J05	PCS	22



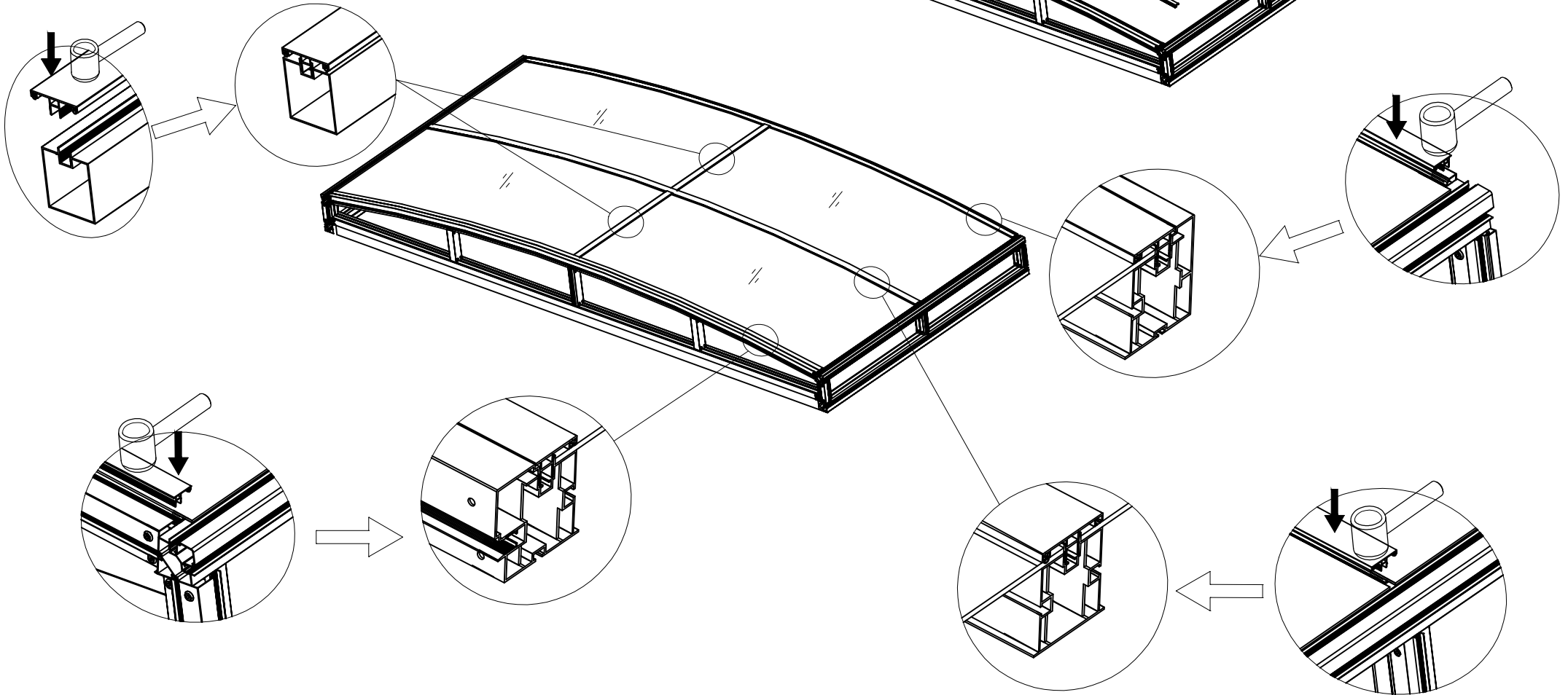
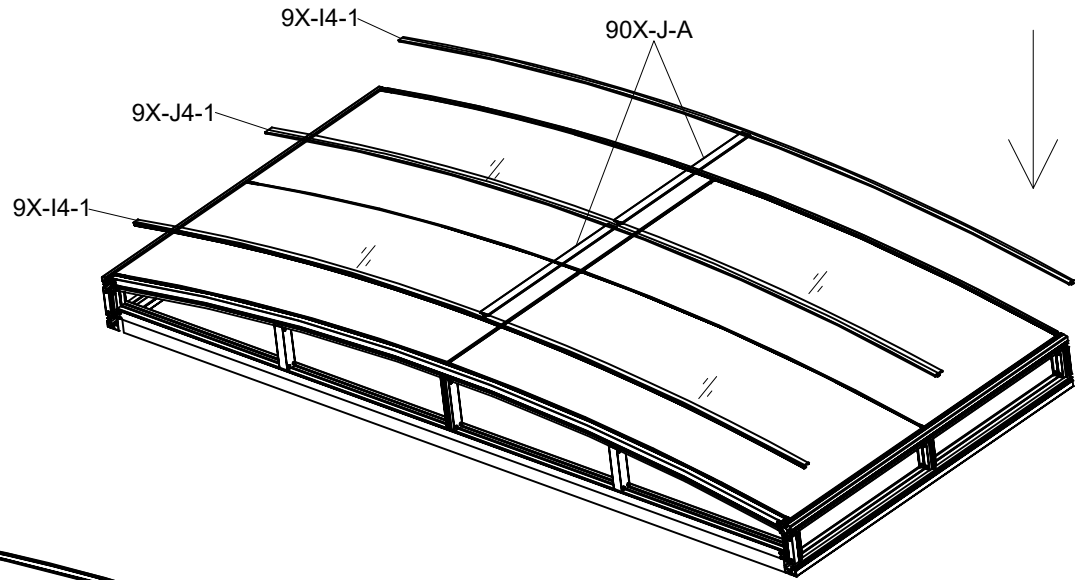
Part	product	NO.	Length(mm)	QTY.	code
☐	SH9002F	90X-H2	2003	1	9X-HX
	SH9002F5	90X-H25	2503		
	SH9003F	90X-H3	3003		
	SH9003F5	90X-H35	3503		
	SH9004F	90X-H4	4003		
	SH9004F5	90X-H45	4503		
	SH9005F	90X-H5	5003		
☐	SH9002F	92X-DX-1	200	1	9X-DX-1
	SH9002F5	925X-DX-1	222		
	SH9003F	93X-DX-1	244		
	SH9003F5	935X-DX-1	266		
	SH9004F	94X-DX-1	288		
	SH9004F5	945X-DX-1	310		
	SH9005F	95X-DX-1	331		
☐	SH9002F	92X-E-1-L	183	1	9X-E-1-L
	SH9002F5	925X-E-1-L	199		
	SH9003F	93X-E-1-L	215		
	SH9003F5	935X-E-1-L	232		
	SH9004F	94X-E-1-L	248		
	SH9004F5	945X-E-1-L	265		
	SH9005F	95X-E-1-L	281		
☐	SH9002F	92X-E-1-R	183	1	9X-E-1-R
	SH9002F5	925X-E-1-R	199		
	SH9003F	93X-E-1-R	215		
	SH9003F5	935X-E-1-R	232		
	SH9004F	94X-E-1-R	248		
	SH9004F5	945X-E-1-R	265		
	SH9005F	95X-E-1-R	281		
⊕		Si6-10	PCS	32	
⊕		J05	PCS	32	



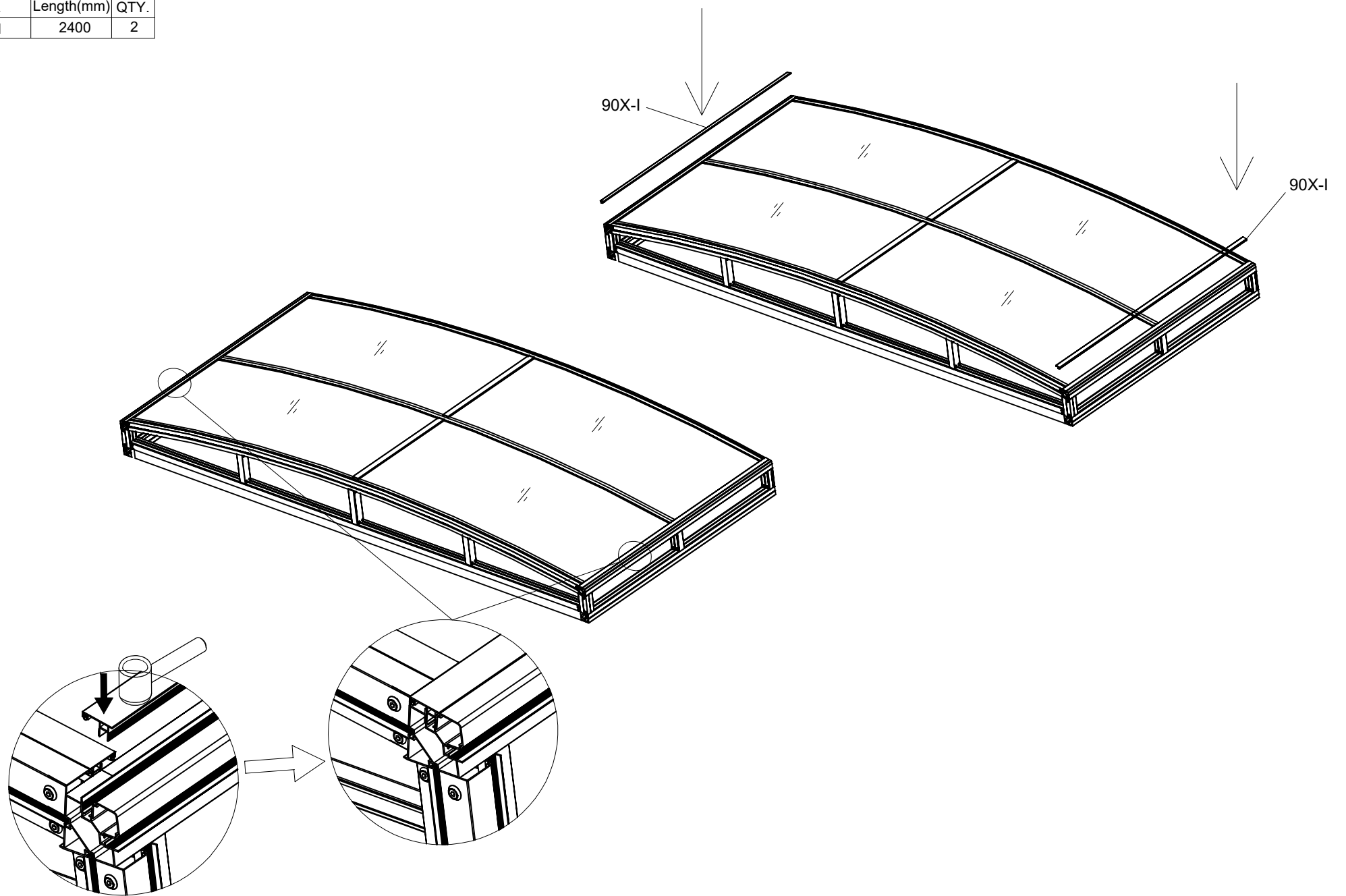
Part	product	NO.	QTY.	code
	SH9002F	1141×1029	4	G03
	SH9002F5	1141×1280		
	SH9003F	1141×1531		
	SH9003F5	1141×1783		
	SH9004F	1141×2034		
	SH9004F5	1141×2285		
	SH9005F	1141×2536		


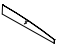


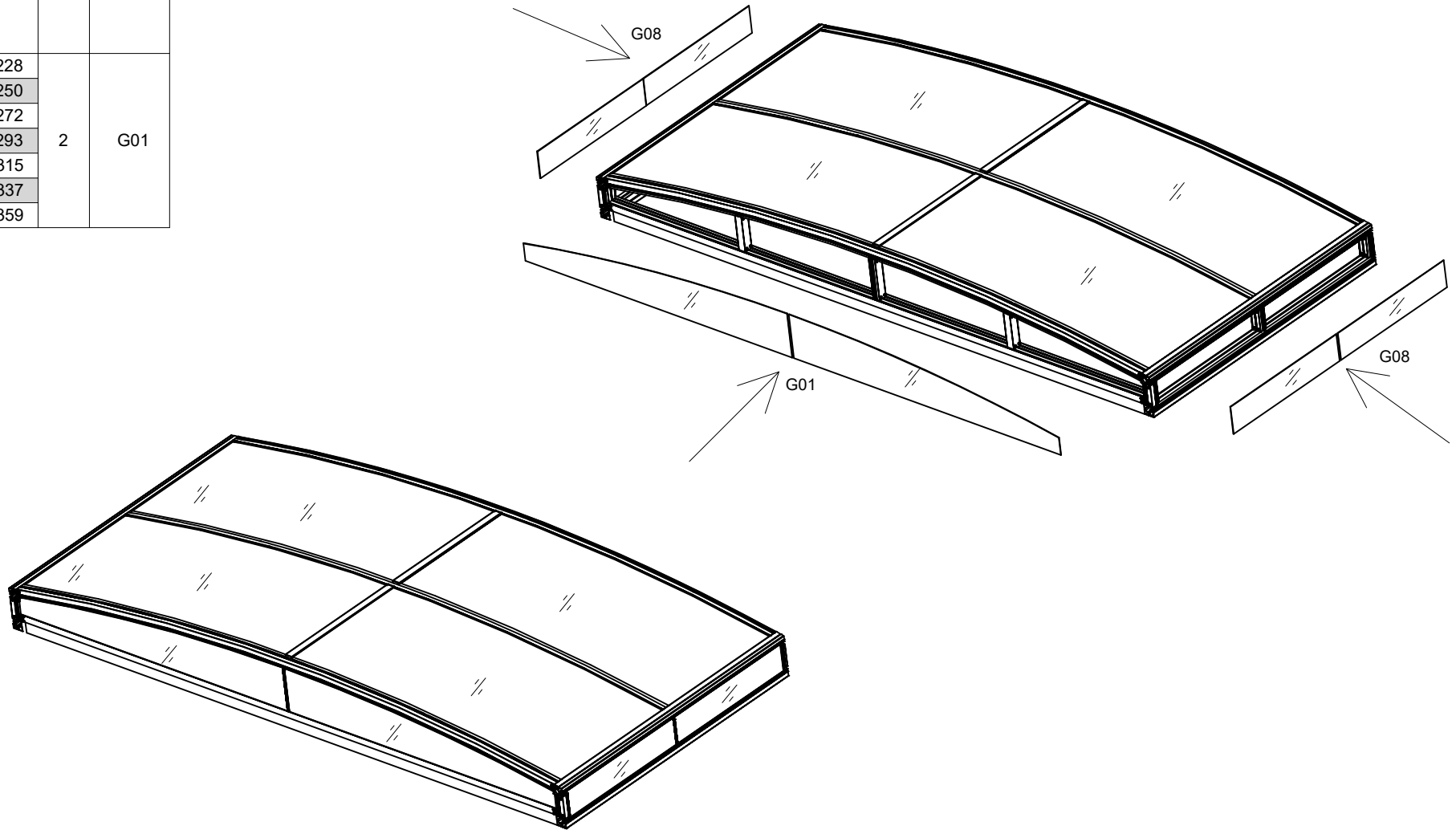
Part	product	NO.	Length(mm)	QTY.	code
H	SH9002F	92X-I4-1	2036	2	9X-I4-1
	SH9002F5	925X-I4-1	2538		
	SH9003F	93X-I4-1	3041		
	SH9003F5	935X-I4-1	3543		
	SH9004F	94X-I4-1	4046		
	SH9004F5	945X-I4-1	4548		
	SH9005F	95X-I4-1	5051		
H	SH9002F	92X-J4-1	2036	1	9X-J4-1
	SH9002F5	925X-J4-1	2538		
	SH9003F	93X-J4-1	3041		
	SH9003F5	935X-J4-1	3543		
	SH9004F	94X-J4-1	4046		
	SH9004F5	945X-J4-1	4548		
	SH9005F	95X-J4-1	5051		
H		90X-J-A	1099	2	



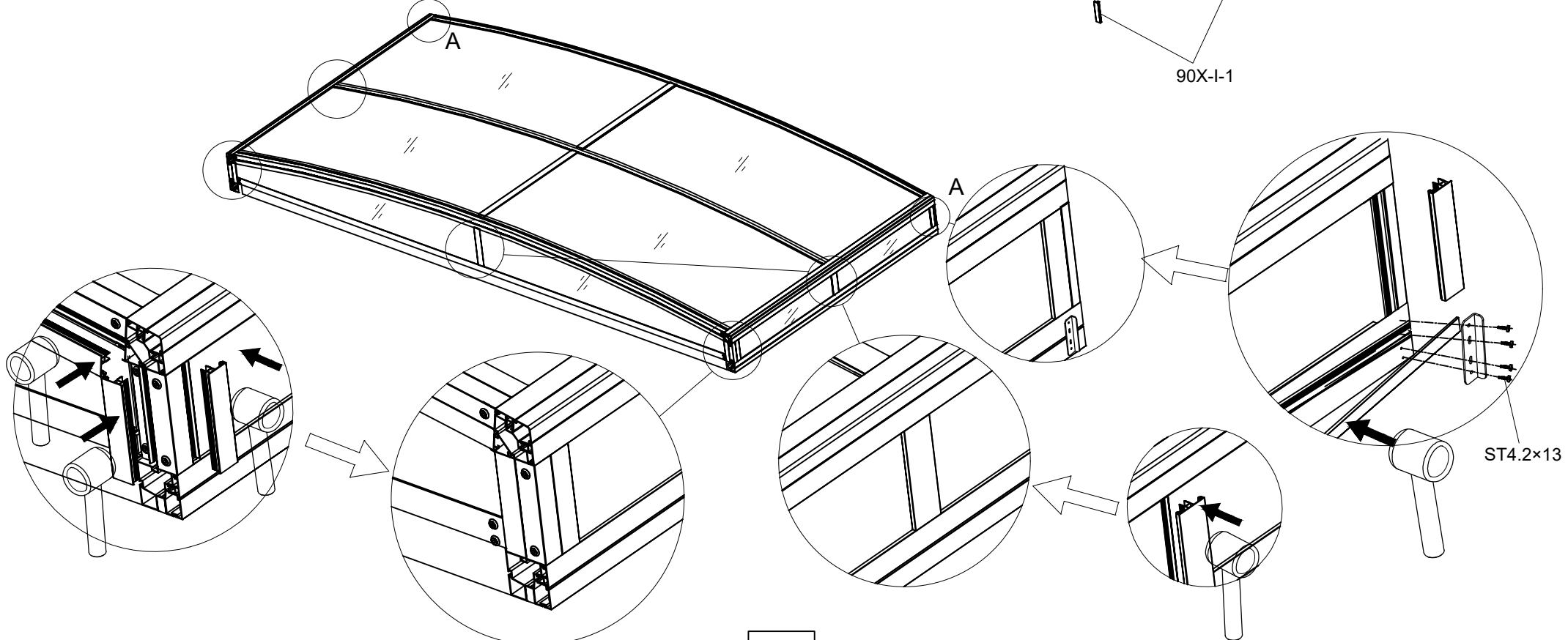
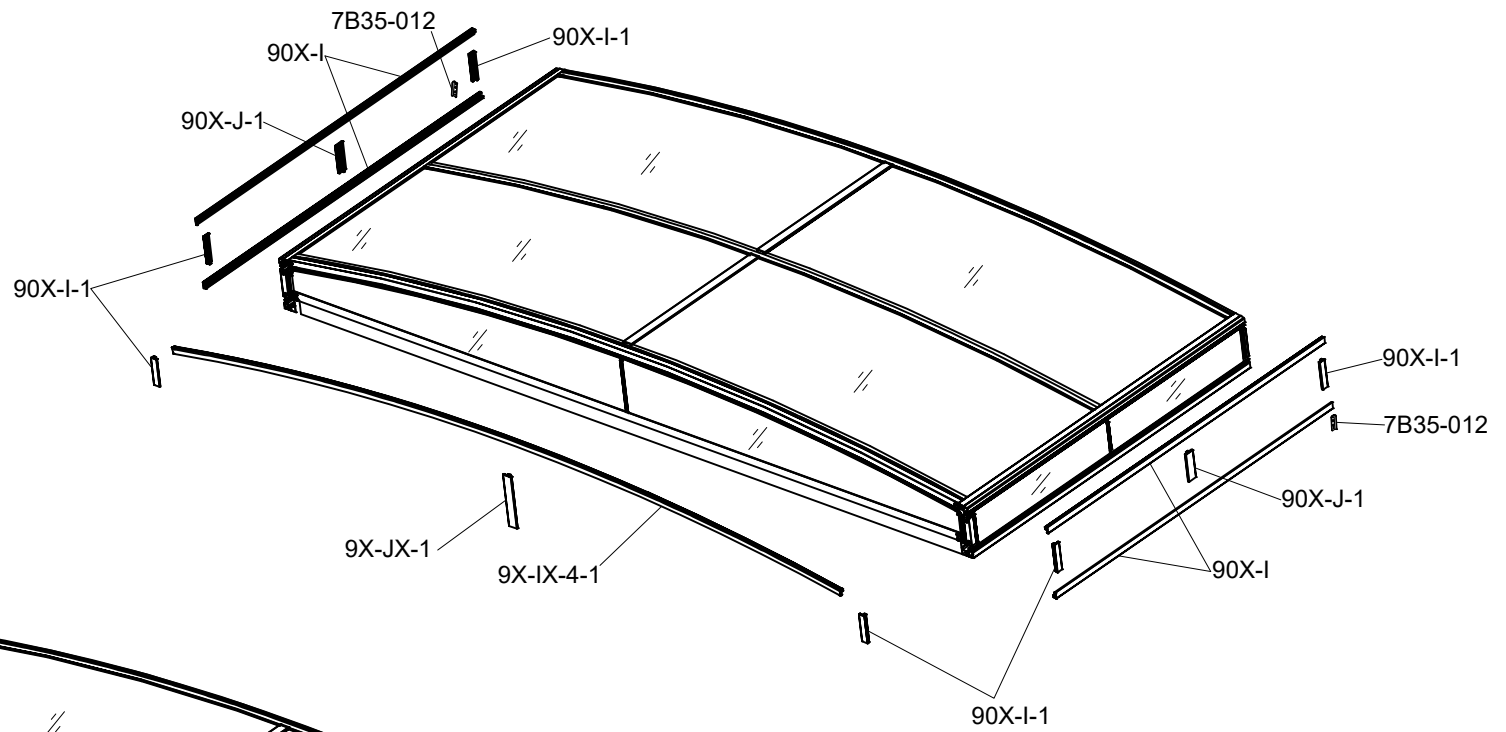
Part	NO.	Length(mm)	QTY.
▼▮	90X-I	2400	2









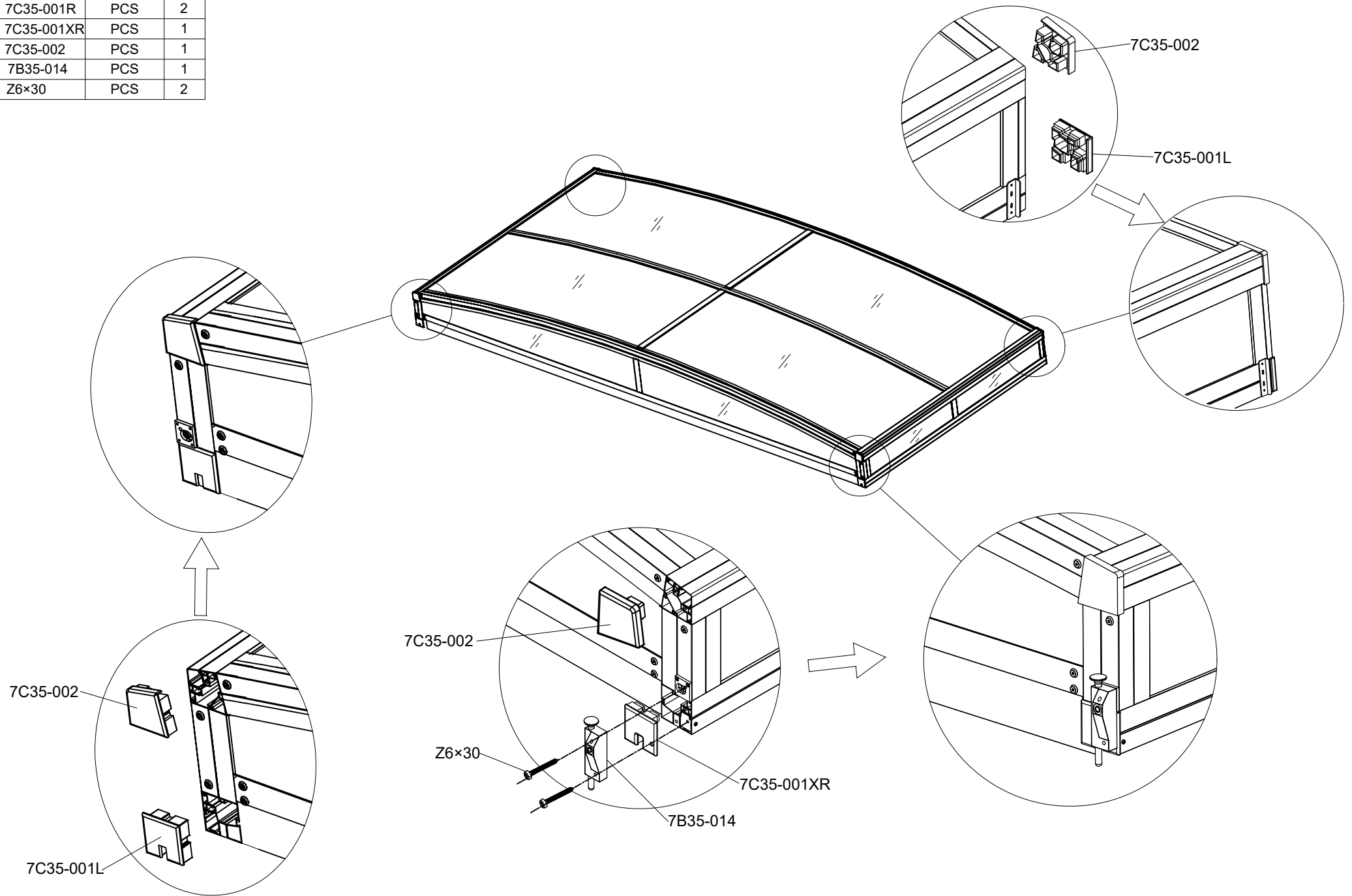
Part	product	NO.	QTY.	code
	SH9002F	1141×221	4	G08
	SH9002F5			
	SH9003F			
	SH9003F5			
	SH9004F			
	SH9004F5			
	SH9005F			
	SH9002F	1010×228	2	G01
	SH9002F5	1260×250		
	SH9003F	1510×272		
	SH9003F5	1760×293		
	SH9004F	2010×315		
	SH9004F5	2260×337		
	SH9005F	2510×359		










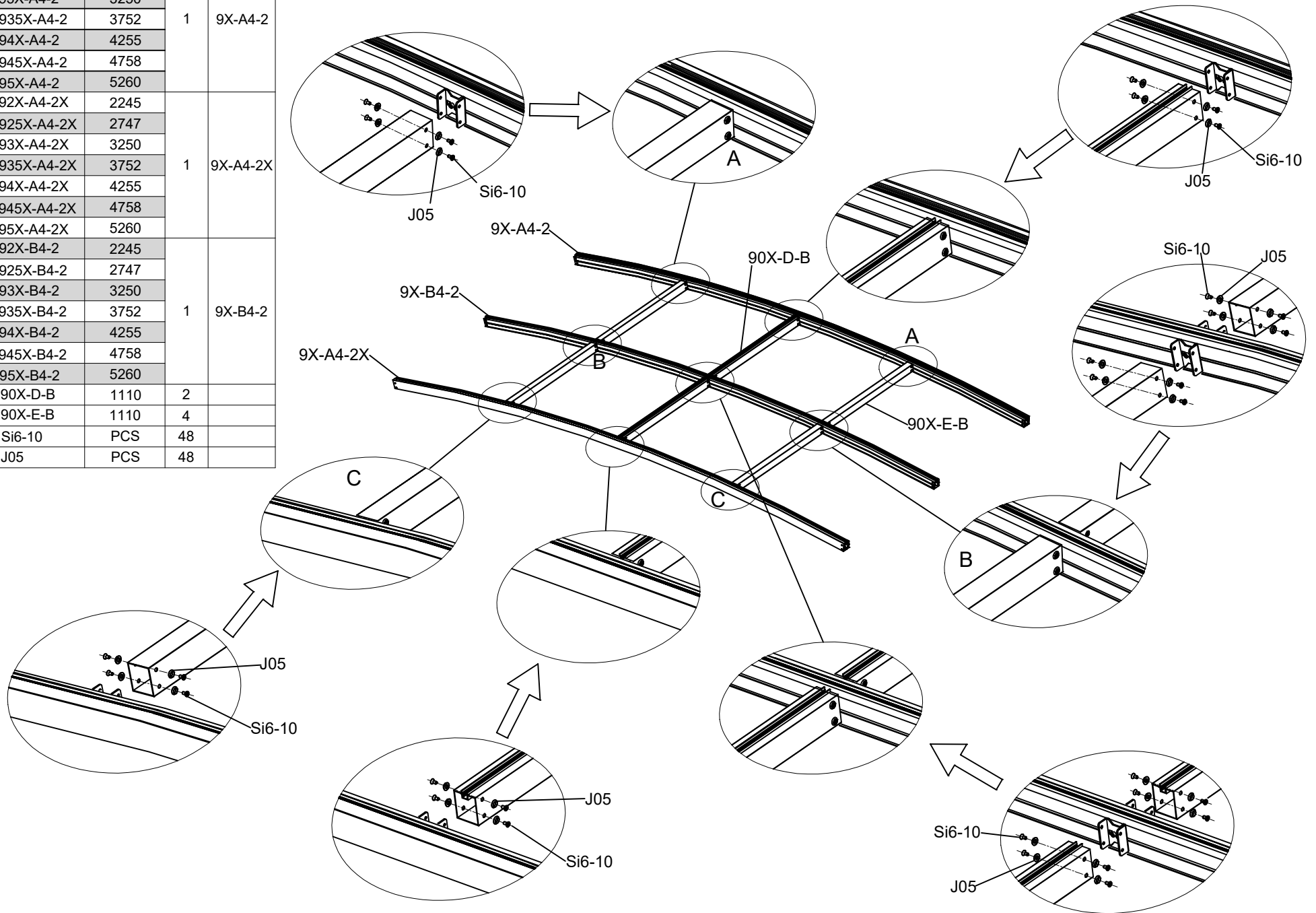
Part	product	NO.	Length(mm)	QTY.	code
H	SH9002F	92X-IX-4-1	2020	1	9X-IX-4-1
	SH9002F5	925X-IX-4-1	2523		
	SH9003F	93X-IX-4-1	3026		
	SH9003F5	935X-IX-4-1	3528		
	SH9004F	94X-IX-4-1	4031		
	SH9004F5	945X-IX-4-1	4534		
	SH9005F	95X-IX-4-1	5036		
H		90X-I	2400	4	
H		90X-I-1	180	6	
H		90X-J-1	180	2	
H	SH9002F	92X-JX-1	200	1	9X-JX-1
	SH9002F5	925X-JX-1	222		
	SH9003F	93X-JX-1	244		
	SH9003F5	935X-JX-1	266		
	SH9004F	94X-JX-1	288		
	SH9004F5	945X-JX-1	310		
	SH9005F	95X-JX-1	331		
		7B35-012	PCS	2	
		ST4.2×13	PCS	8	

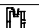
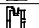
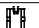









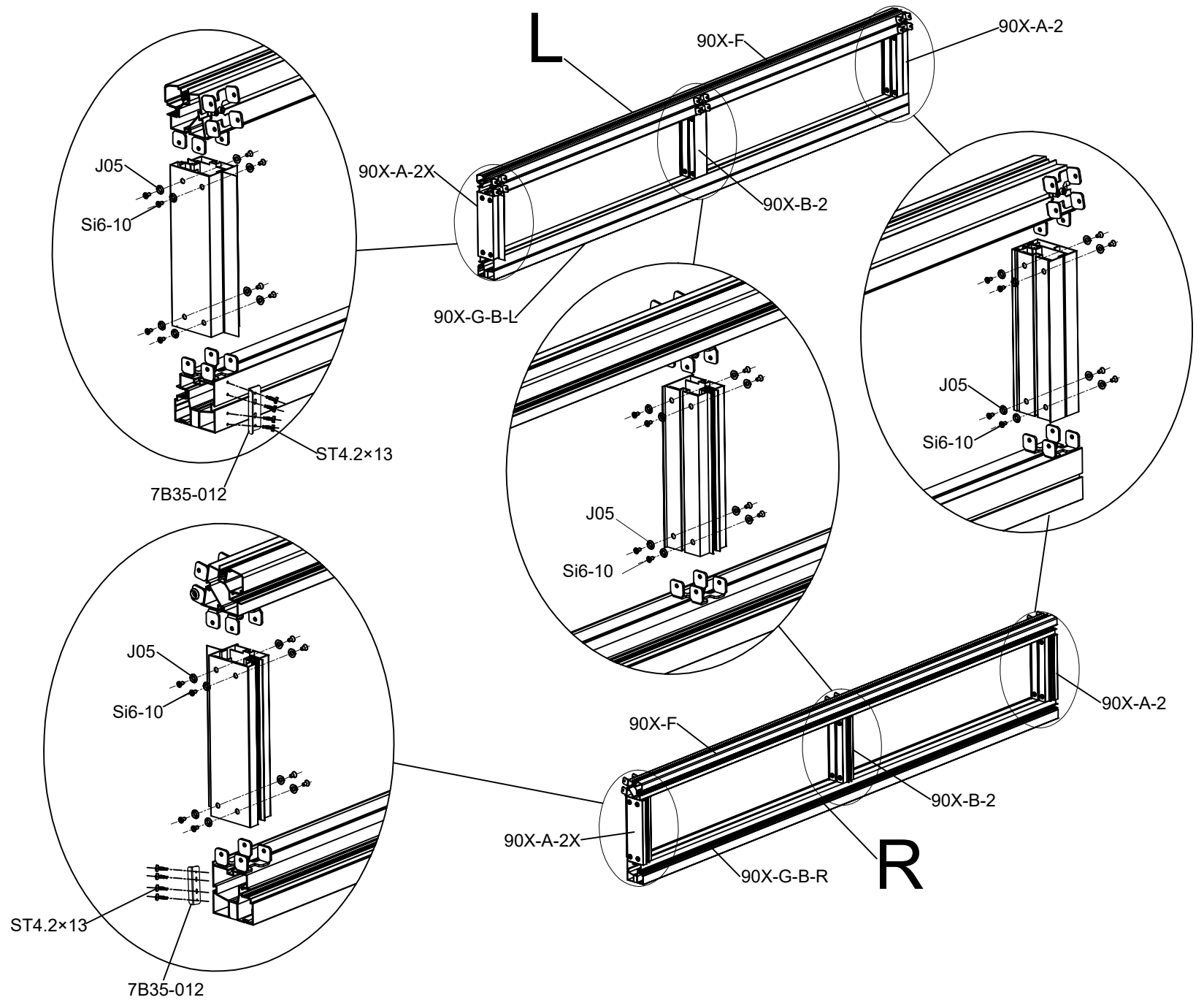
Part	NO.	Length(mm)	QTY.
	7C35-001L	PCS	4
	7C35-001R	PCS	2
	7C35-001XR	PCS	1
	7C35-002	PCS	1
	7B35-014	PCS	1
	Z6×30	PCS	2







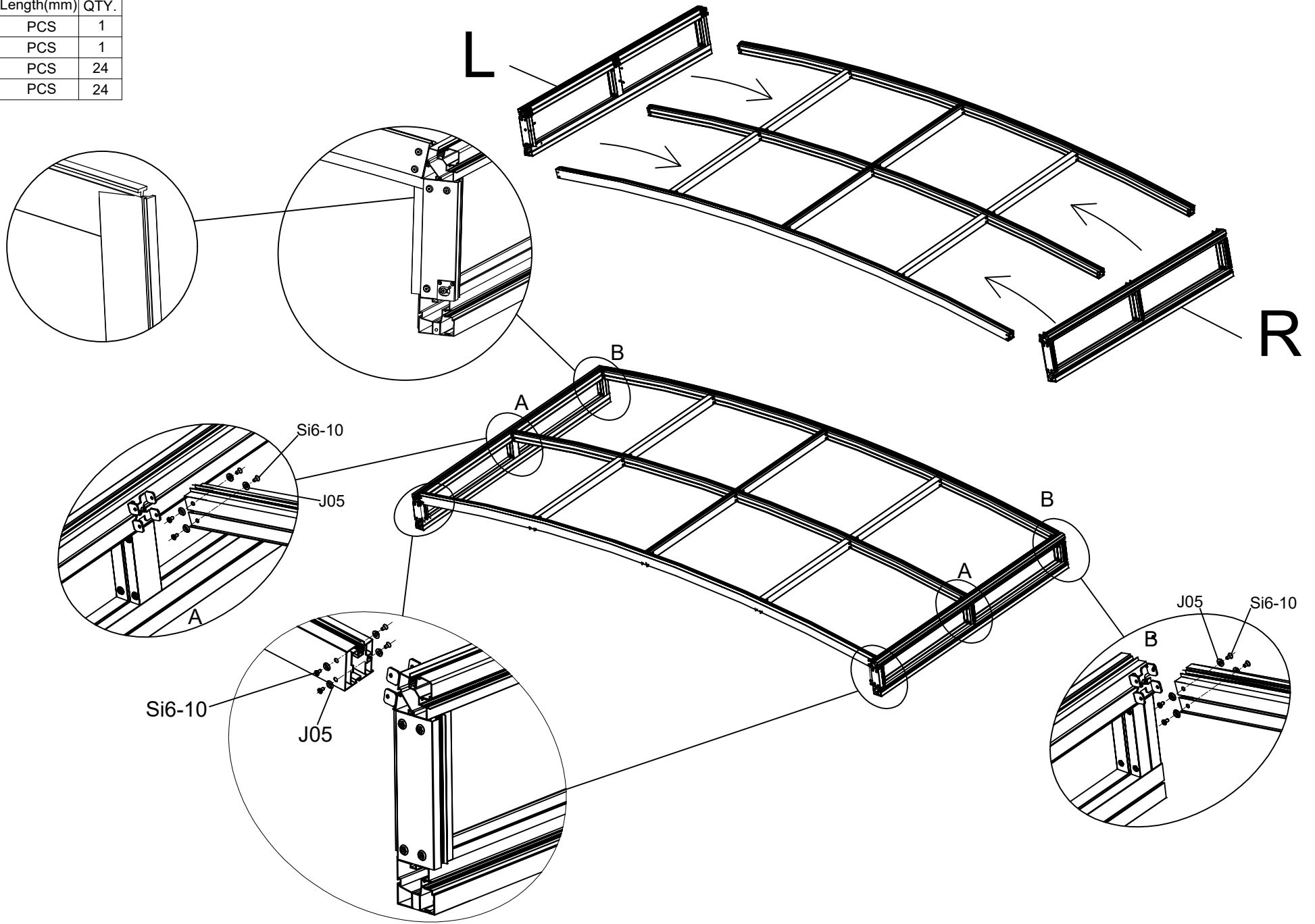
Part	product	NO.	Length(mm)	QTY.	code
	SH9002F	92X-A4-2	2245	1	9X-A4-2
	SH9002F5	925X-A4-2	2747		
	SH9003F	93X-A4-2	3250		
	SH9003F5	935X-A4-2	3752		
	SH9004F	94X-A4-2	4255		
	SH9004F5	945X-A4-2	4758		
	SH9005F	95X-A4-2	5260		
	SH9002F	92X-A4-2X	2245	1	9X-A4-2X
	SH9002F5	925X-A4-2X	2747		
	SH9003F	93X-A4-2X	3250		
	SH9003F5	935X-A4-2X	3752		
	SH9004F	94X-A4-2X	4255		
	SH9004F5	945X-A4-2X	4758		
	SH9005F	95X-A4-2X	5260		
	SH9002F	92X-B4-2	2245	1	9X-B4-2
	SH9002F5	925X-B4-2	2747		
	SH9003F	93X-B4-2	3250		
	SH9003F5	935X-B4-2	3752		
	SH9004F	94X-B4-2	4255		
	SH9004F5	945X-B4-2	4758		
	SH9005F	95X-B4-2	5260		
		90X-D-B	1110	2	
		90X-E-B	1110	4	
		Si6-10	PCS	48	
		J05	PCS	48	




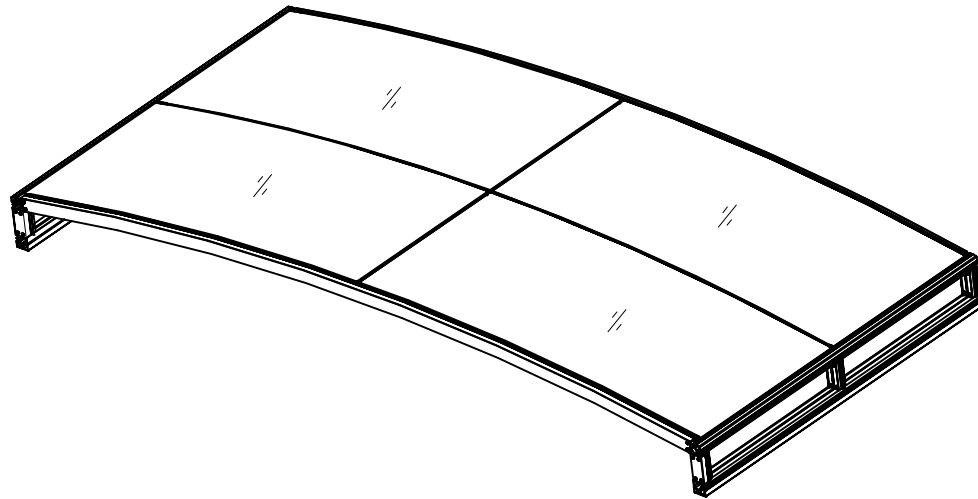
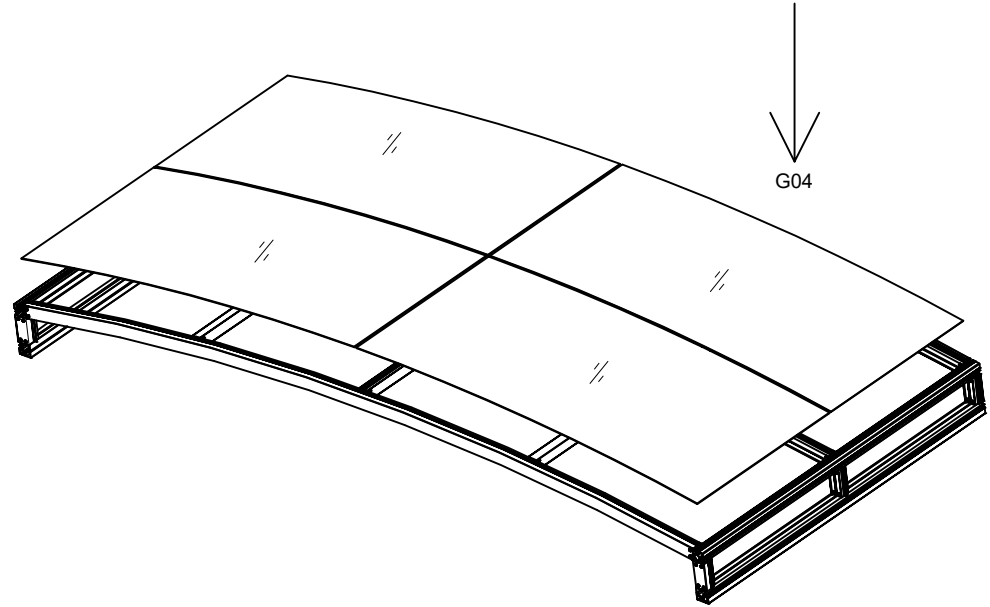
Part	NO.	Length(mm)	QTY.
	90X-A-2	265	2
	90X-A-2X	265	2
	90X-B-2	265	2
	90X-F	2400	2
	90X-G-B-L	2400	1
	90X-G-B-R	2400	1
	7B35-012	PCS	2
	ST4.2x13	PCS	8
	Si6-10	PCS	48
	J05	PCS	48



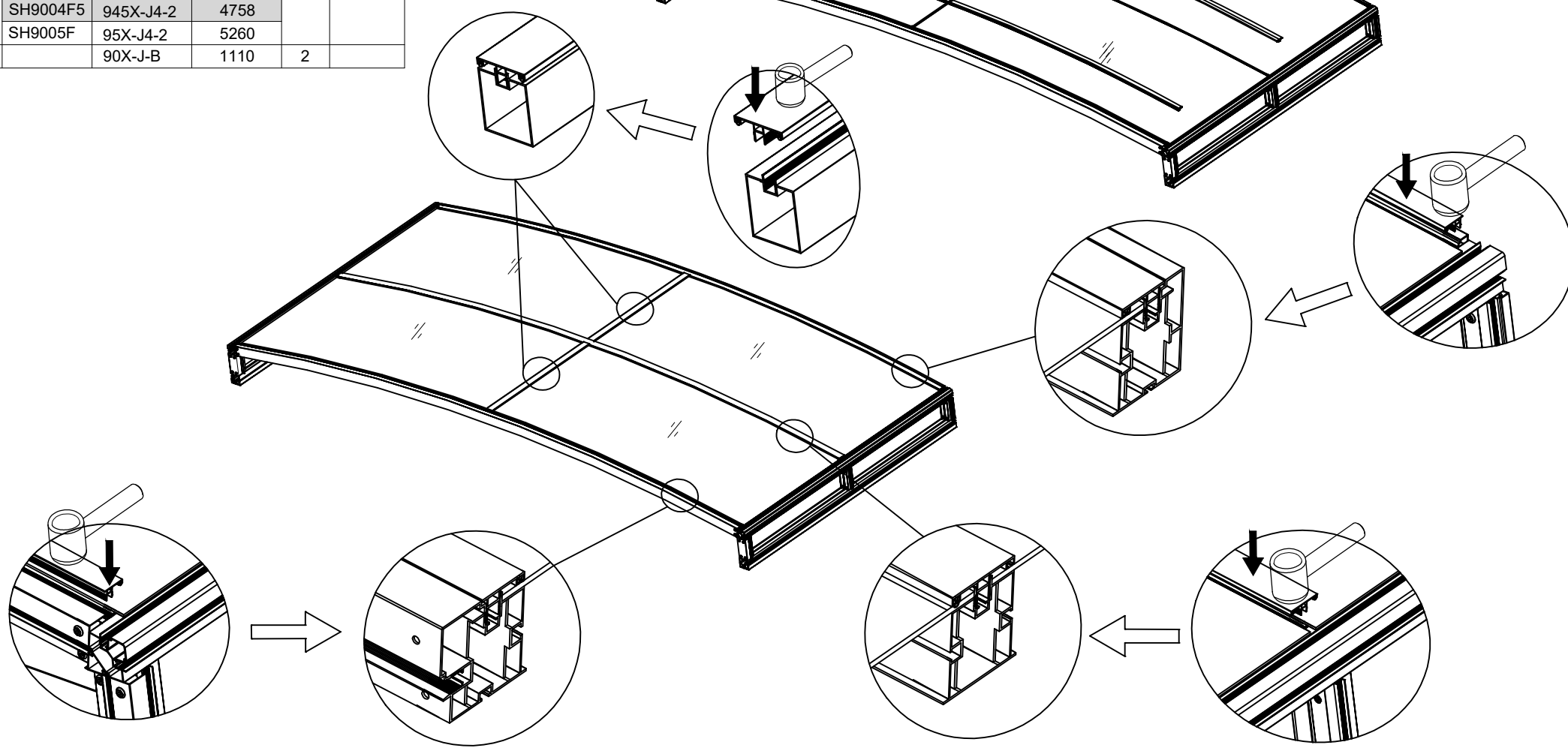
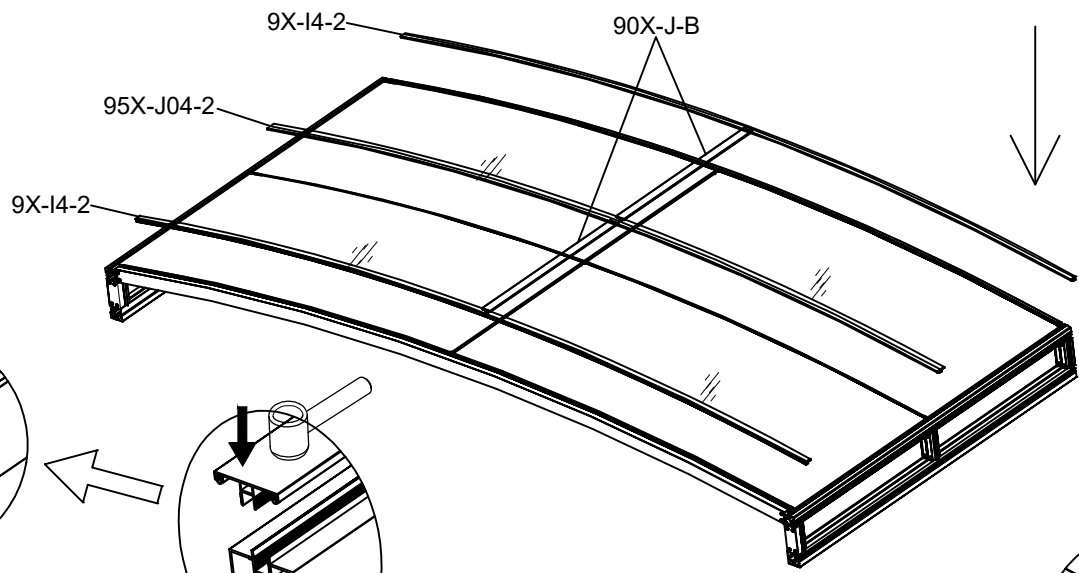
Part	NO.	Length(mm)	QTY.
	Page11	PCS	1
	Page12	PCS	1
	Si6-10	PCS	24
	J05	PCS	24



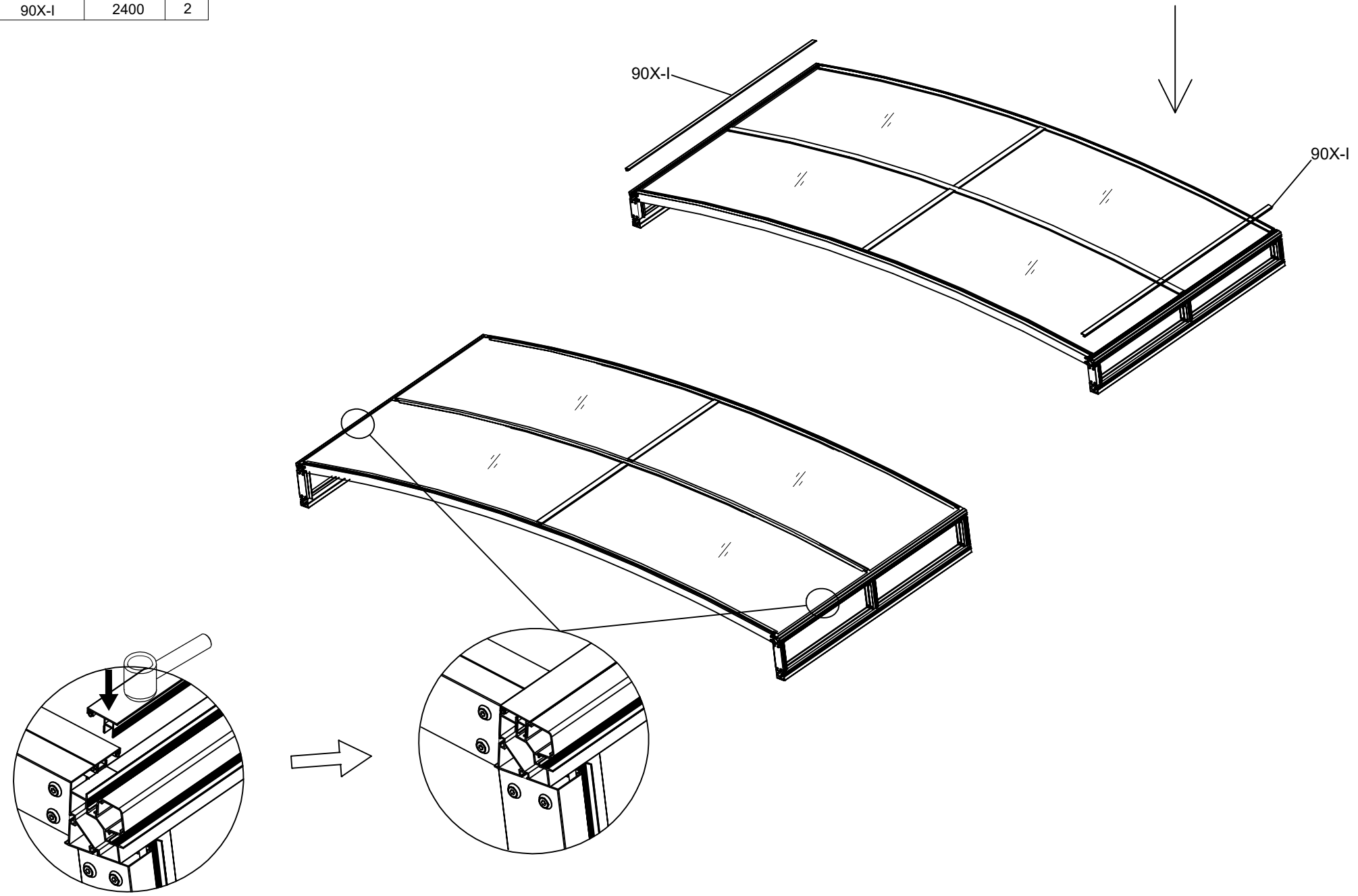
Part	product	NO.	QTY.	code
	SH9002F	1151×1133	4	G04
	SH9002F5	1151×1385		
	SH9003F	1151×1638		
	SH9003F5	1151×1887		
	SH9004F	1151×2138		
	SH9004F5	1151×2390		
	SH9005F	1151×2641		




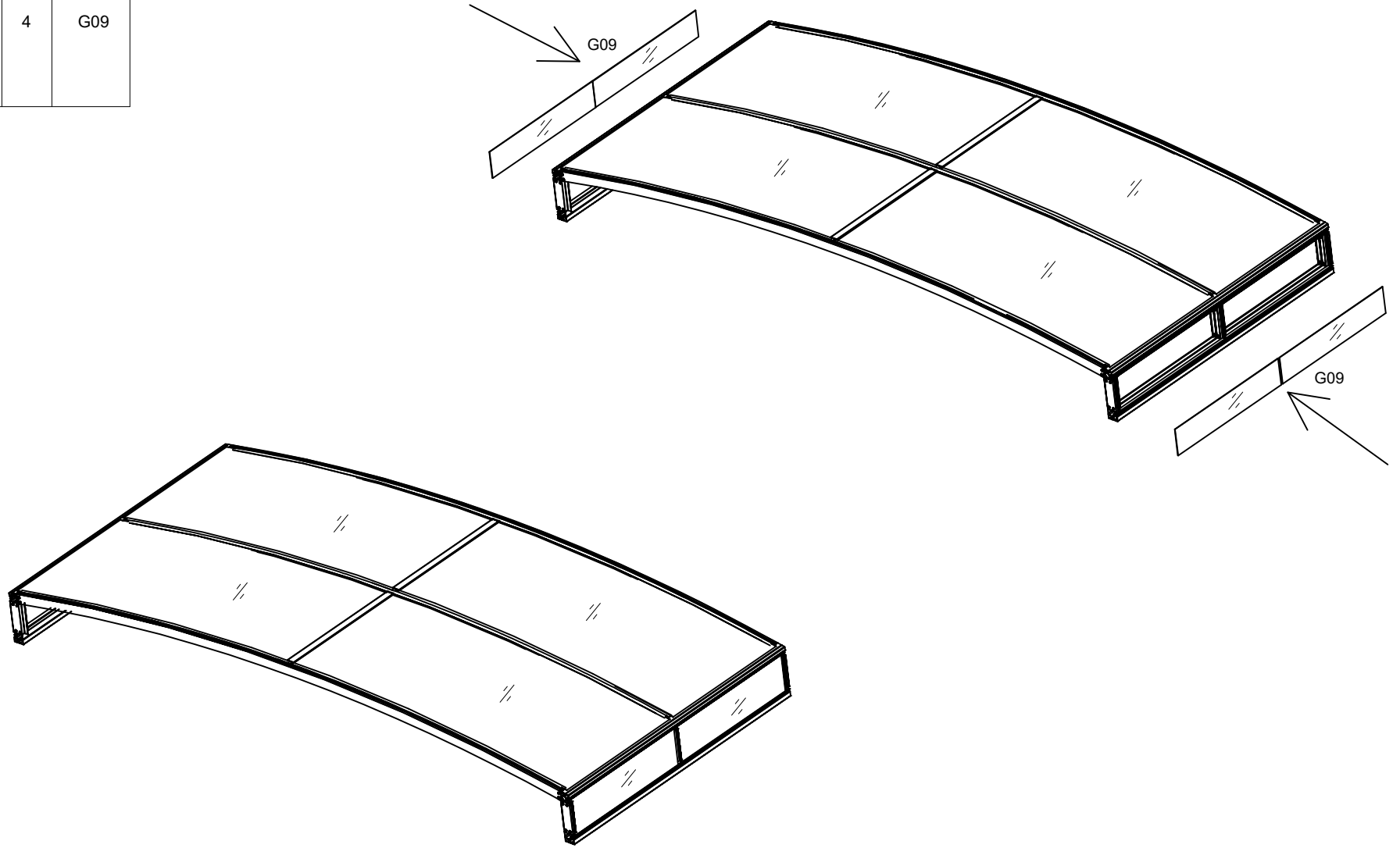
Part	product	NO.	Length(mm)	QTY.	code
▼H	SH9002F	92X-I4-2	2245	2	9X-I4-2
	SH9002F5	925X-I4-2	2747		
	SH9003F	93X-I4-2	3250		
	SH9003F5	935X-I4-2	3752		
	SH9004F	94X-I4-2	4255		
	SH9004F5	945X-I4-2	4758		
	SH9005F	95X-I4-2	5260		
▼H	SH9002F	92X-J4-2	2245	1	9X-J4-2
	SH9002F5	925X-J4-2	2747		
	SH9003F	93X-J4-2	3250		
	SH9003F5	935X-J4-2	3752		
	SH9004F	94X-J4-2	4255		
	SH9004F5	945X-J4-2	4758		
	SH9005F	95X-J4-2	5260		
▼H		90X-J-B	1110	2	








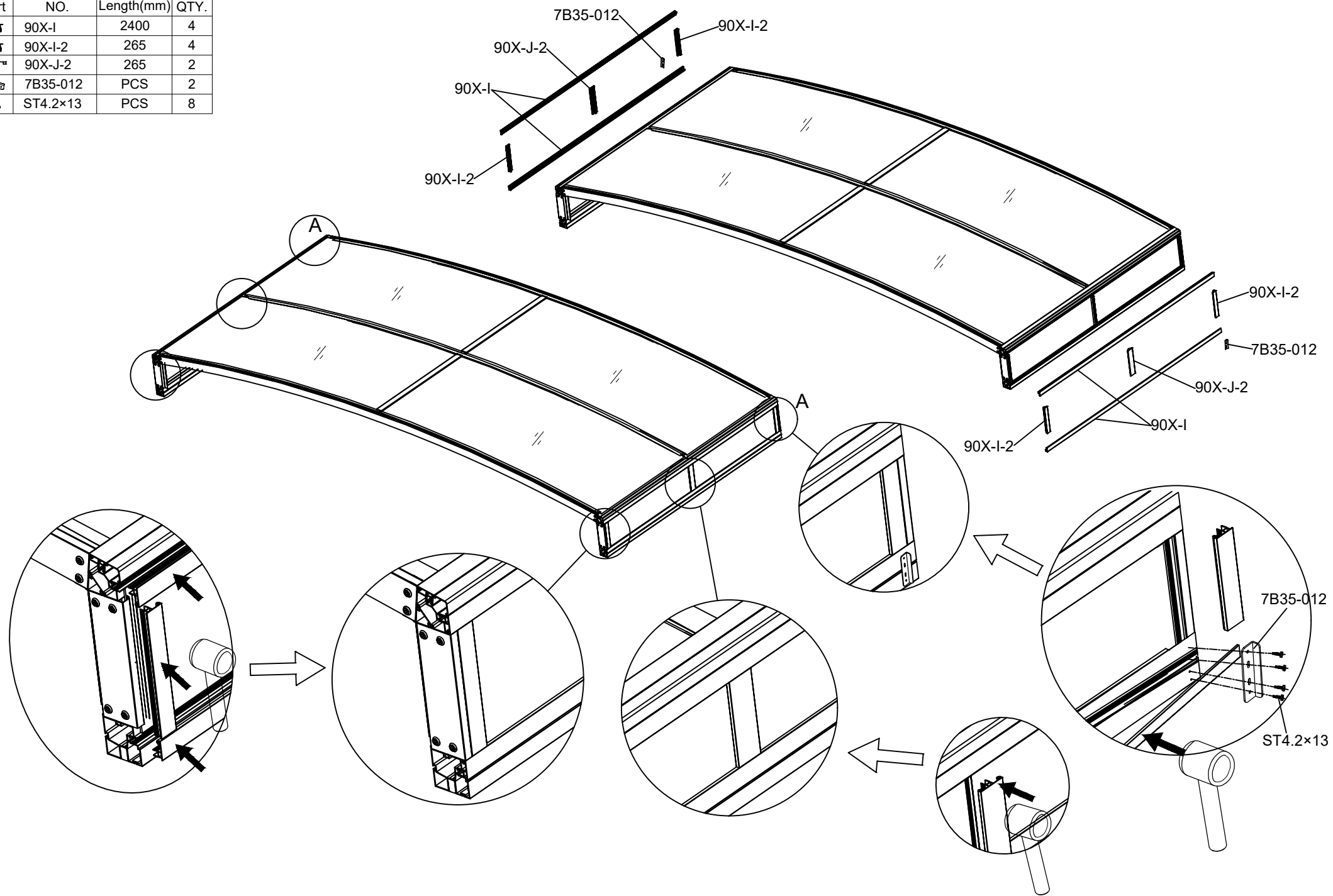
Part	NO.	Length(mm)	QTY.
▼ ▮	90X-I	2400	2






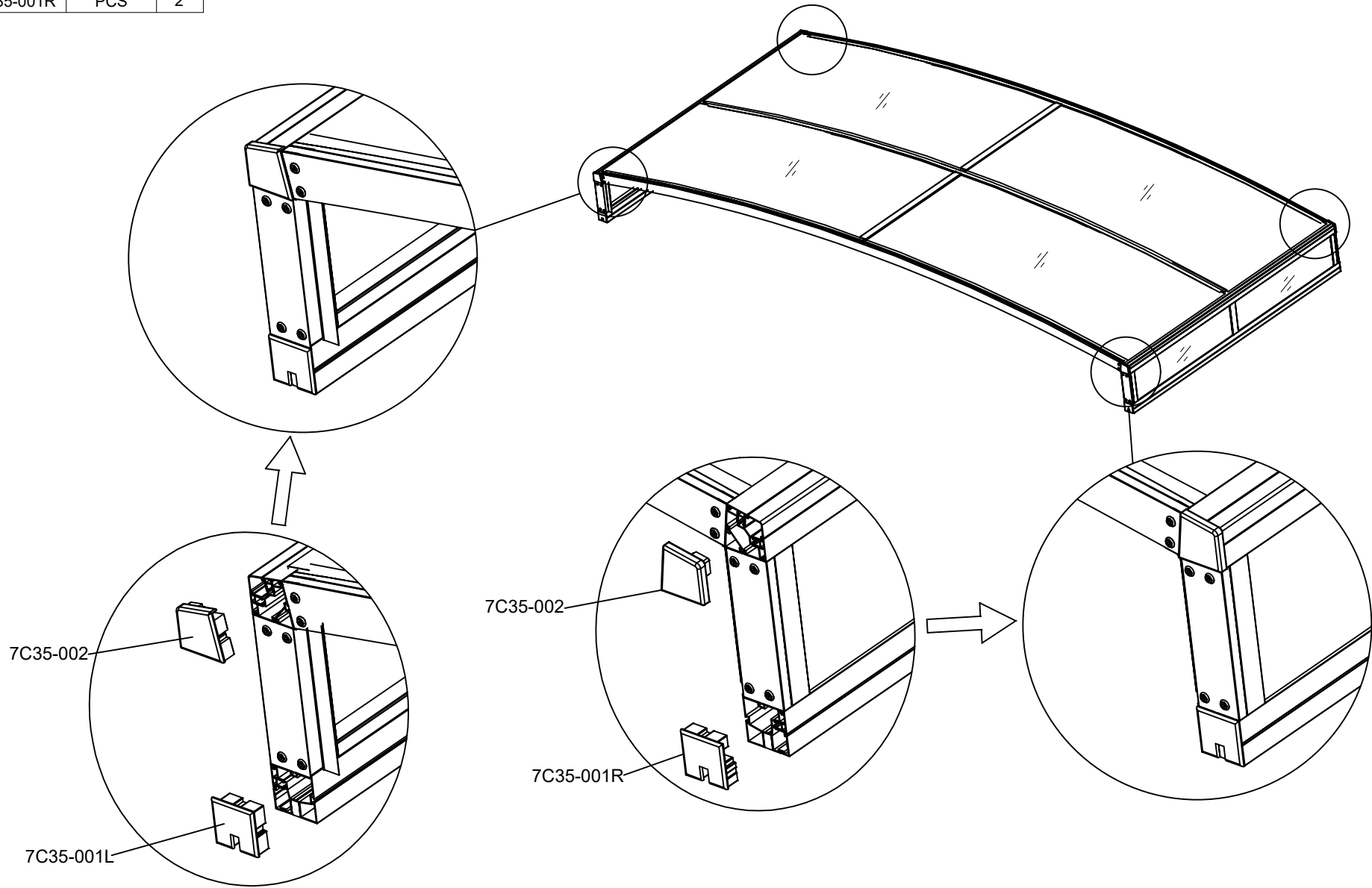
Part	product	NO.	QTY.	code
	SH9002F	1151×306	4	G09
	SH9002F5			
	SH9003F			
	SH9003F5			
	SH9004F			
	SH9004F5			
	SH9005F			










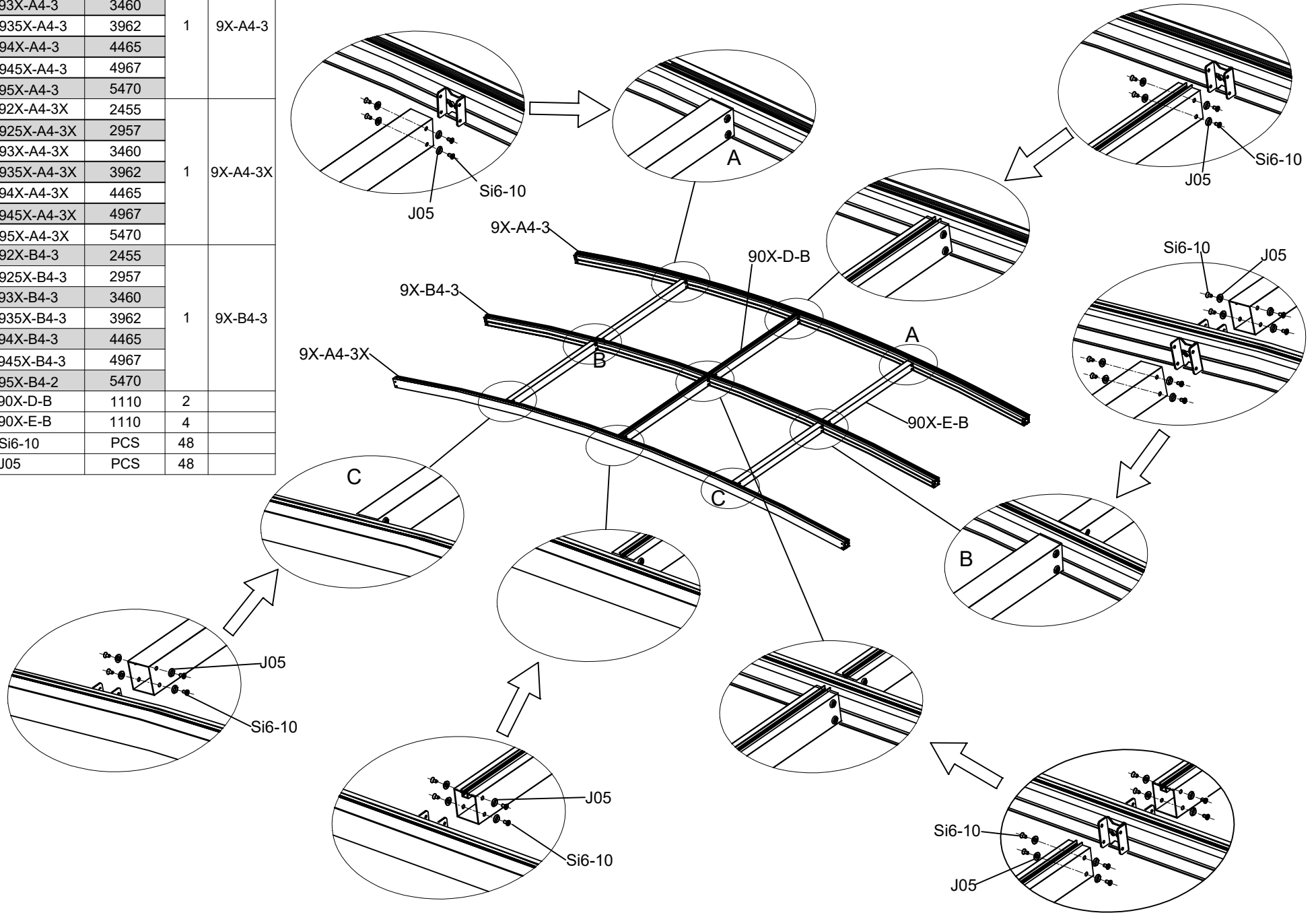
Part	NO.	Length(mm)	QTY.
	90X-I	2400	4
	90X-I-2	265	4
	90X-J-2	265	2
	7B35-012	PCS	2
	ST4.2x13	PCS	8

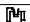





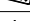
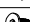




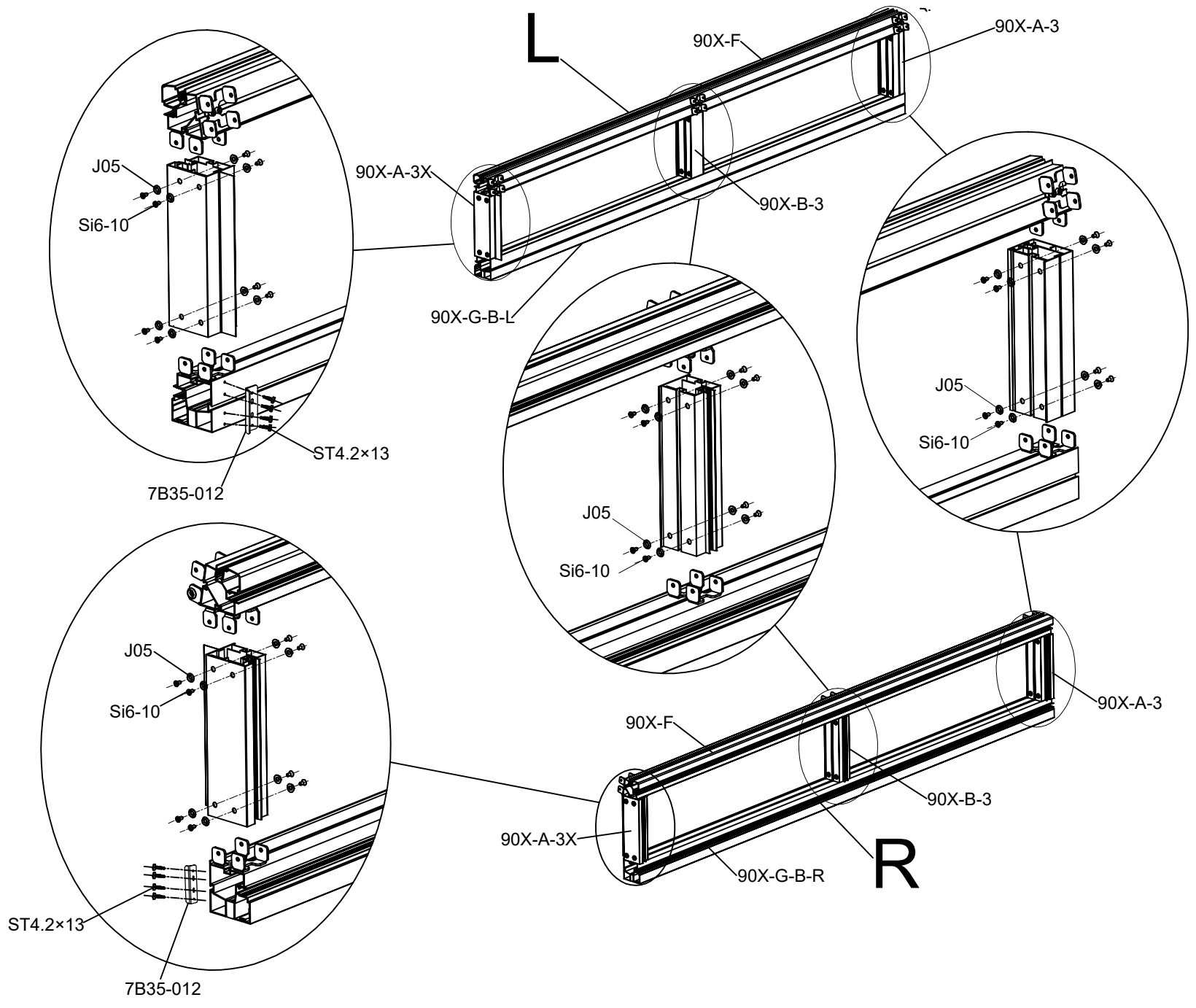
Part	NO.	Length(mm)	QTY.
	7C35-002	PCS	4
	7C35-001L	PCS	2
	7C35-001R	PCS	2







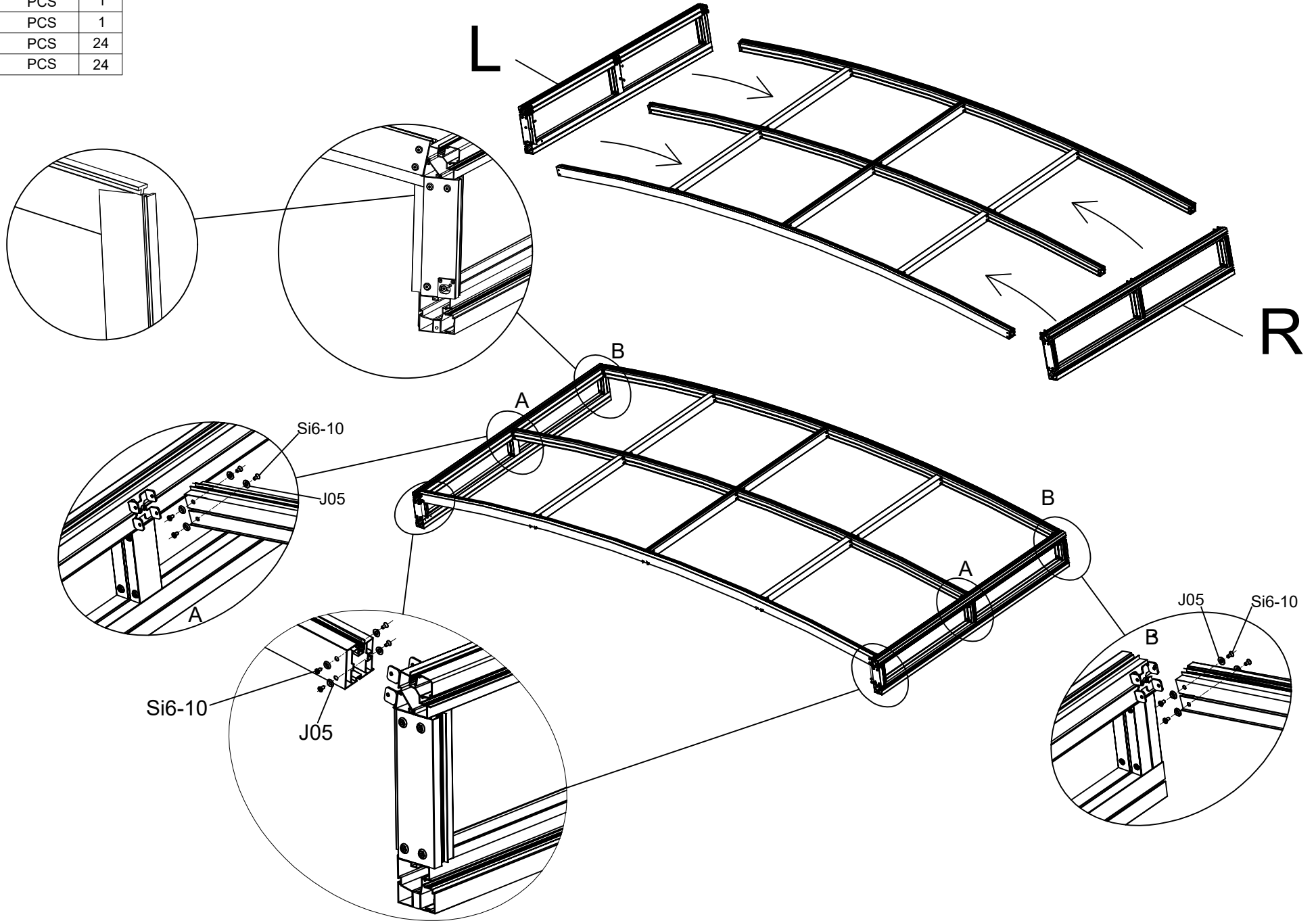
Part	product	NO.	Length(mm)	QTY.	code
	SH9002F	92X-A4-3	2455	1	9X-A4-3
	SH9002F5	925X-A4-3	2957		
	SH9003F	93X-A4-3	3460		
	SH9003F5	935X-A4-3	3962		
	SH9004F	94X-A4-3	4465		
	SH9004F5	945X-A4-3	4967		
	SH9005F	95X-A4-3	5470		
	SH9002F	92X-A4-3X	2455	1	9X-A4-3X
	SH9002F5	925X-A4-3X	2957		
	SH9003F	93X-A4-3X	3460		
	SH9003F5	935X-A4-3X	3962		
	SH9004F	94X-A4-3X	4465		
	SH9004F5	945X-A4-3X	4967		
	SH9005F	95X-A4-3X	5470		
	SH9002F	92X-B4-3	2455	1	9X-B4-3
	SH9002F5	925X-B4-3	2957		
	SH9003F	93X-B4-3	3460		
	SH9003F5	935X-B4-3	3962		
	SH9004F	94X-B4-3	4465		
	SH9004F5	945X-B4-3	4967		
	SH9005F	95X-B4-2	5470		
		90X-D-B	1110	2	
		90X-E-B	1110	4	
		Si6-10	PCS	48	
		J05	PCS	48	




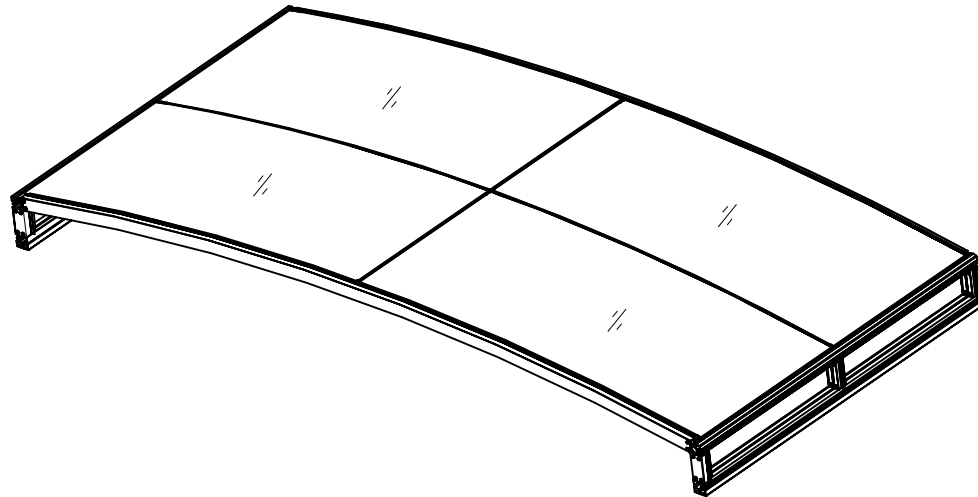
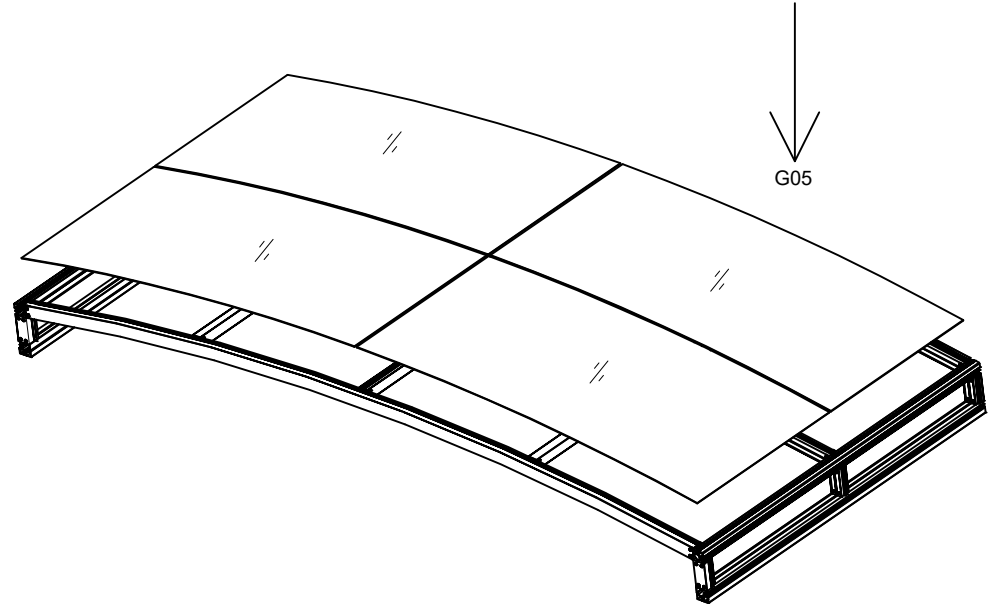
Part	NO.	Length(mm)	QTY.
	90X-A-3	349	2
	90X-A-3X	349	2
	90X-B-3	349	2
	90X-F	2400	2
	90X-G-B-L	2400	1
	90X-G-B-R	2400	1
	7B35-012	PCS	2
	ST4.2x13	PCS	8
	Si6-10	PCS	48
	J05	PCS	48



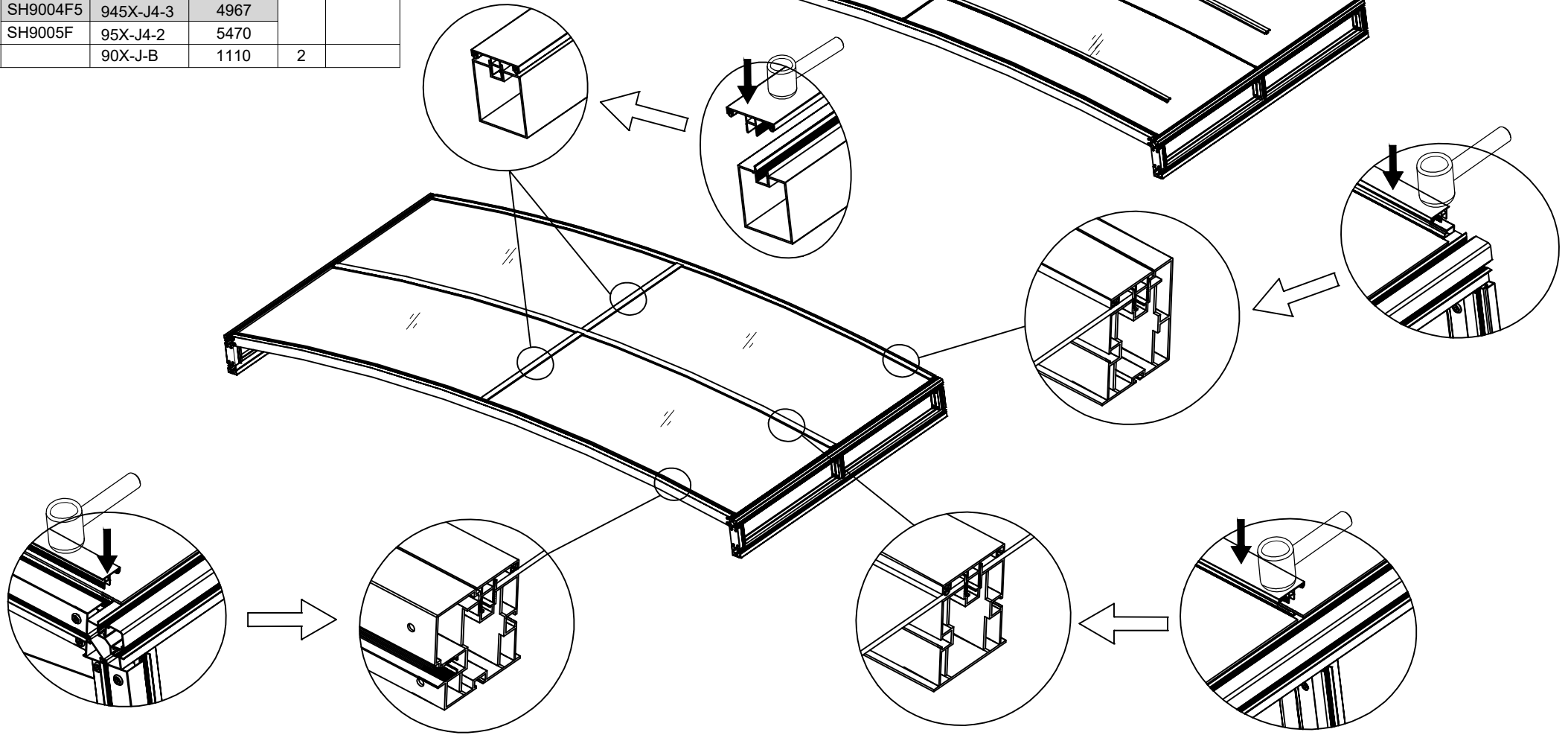
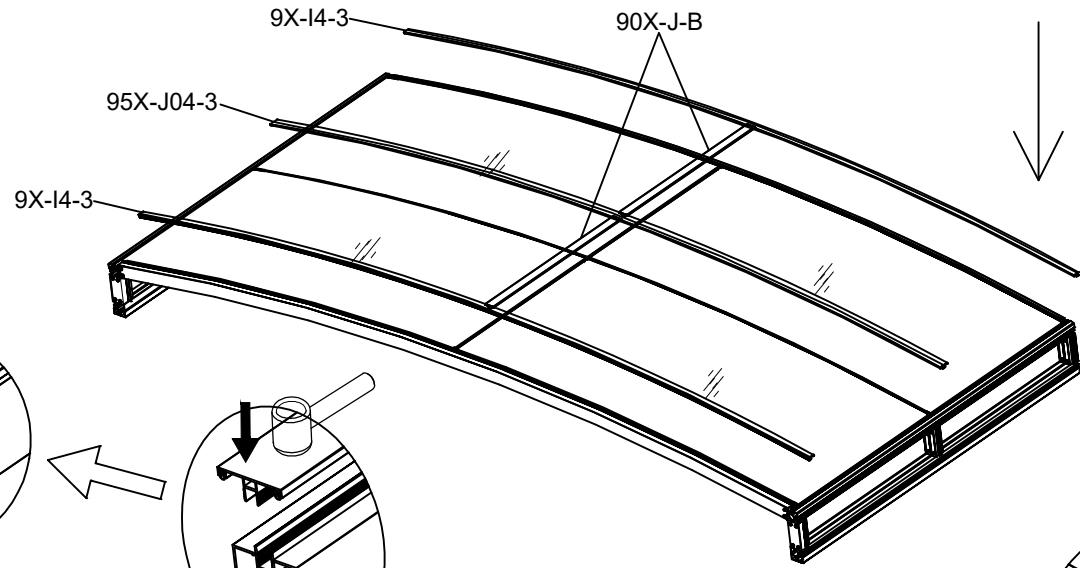
Part	NO.	Length(mm)	QTY.
	Page20	PCS	1
	Page21	PCS	1
	Si6-10	PCS	24
	J05	PCS	24



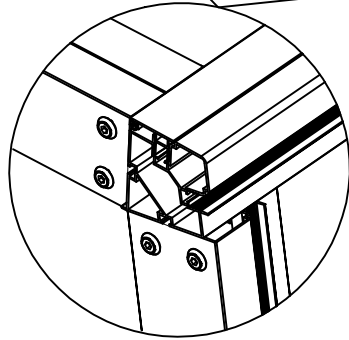
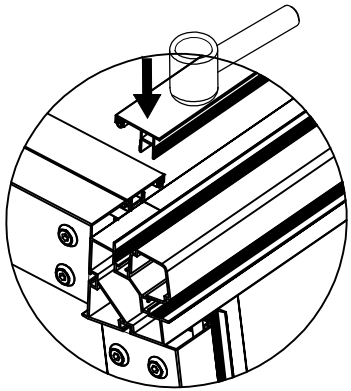
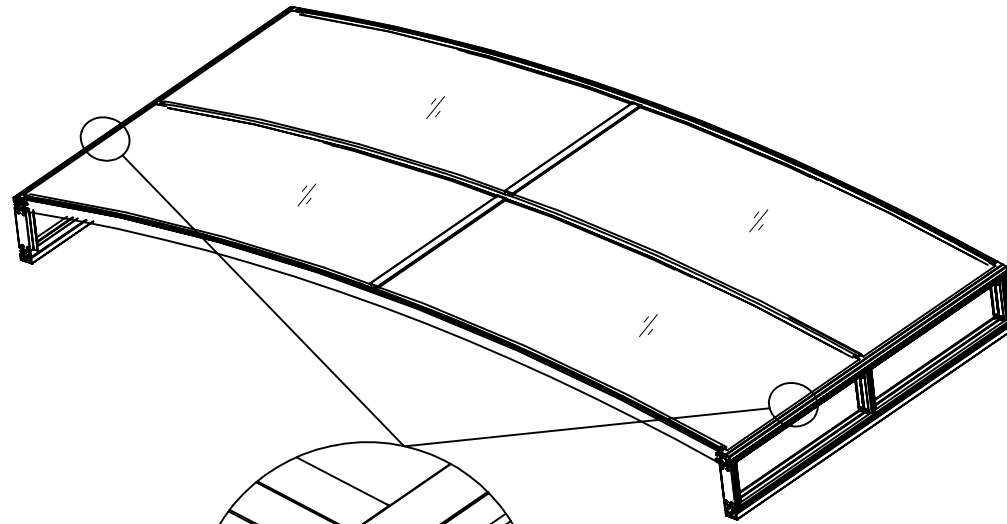
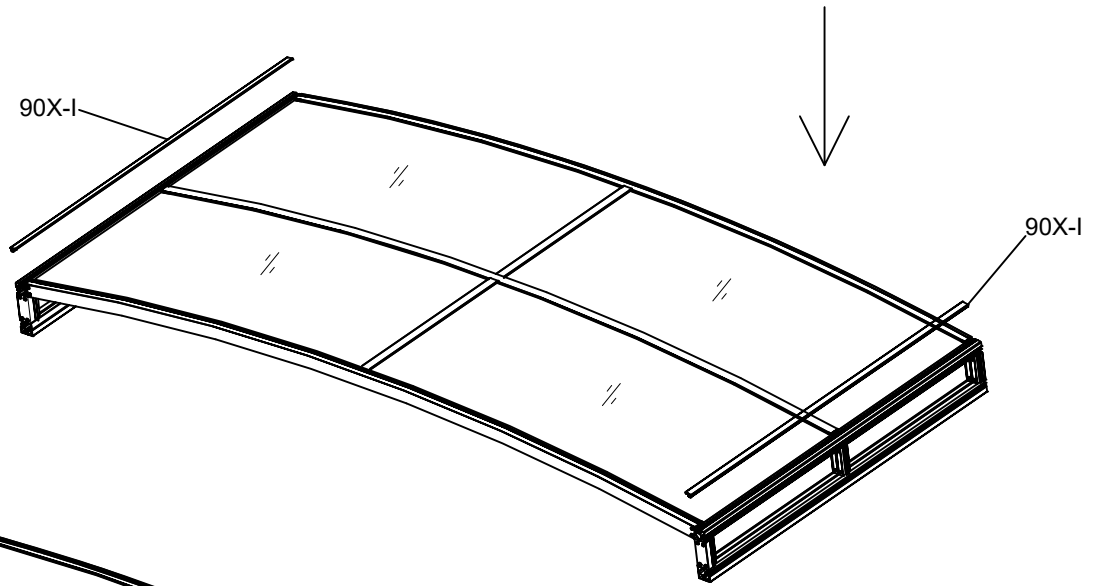
Part	product	NO.	QTY.	code
	SH9002F	1151×1238	4	G05
	SH9002F5	1151×1491		
	SH9003F	1151×1741		
	SH9003F5	1151×1992		
	SH9004F	1151×2243		
	SH9004F5	1151×2600		
	SH9005F	1151×2746		




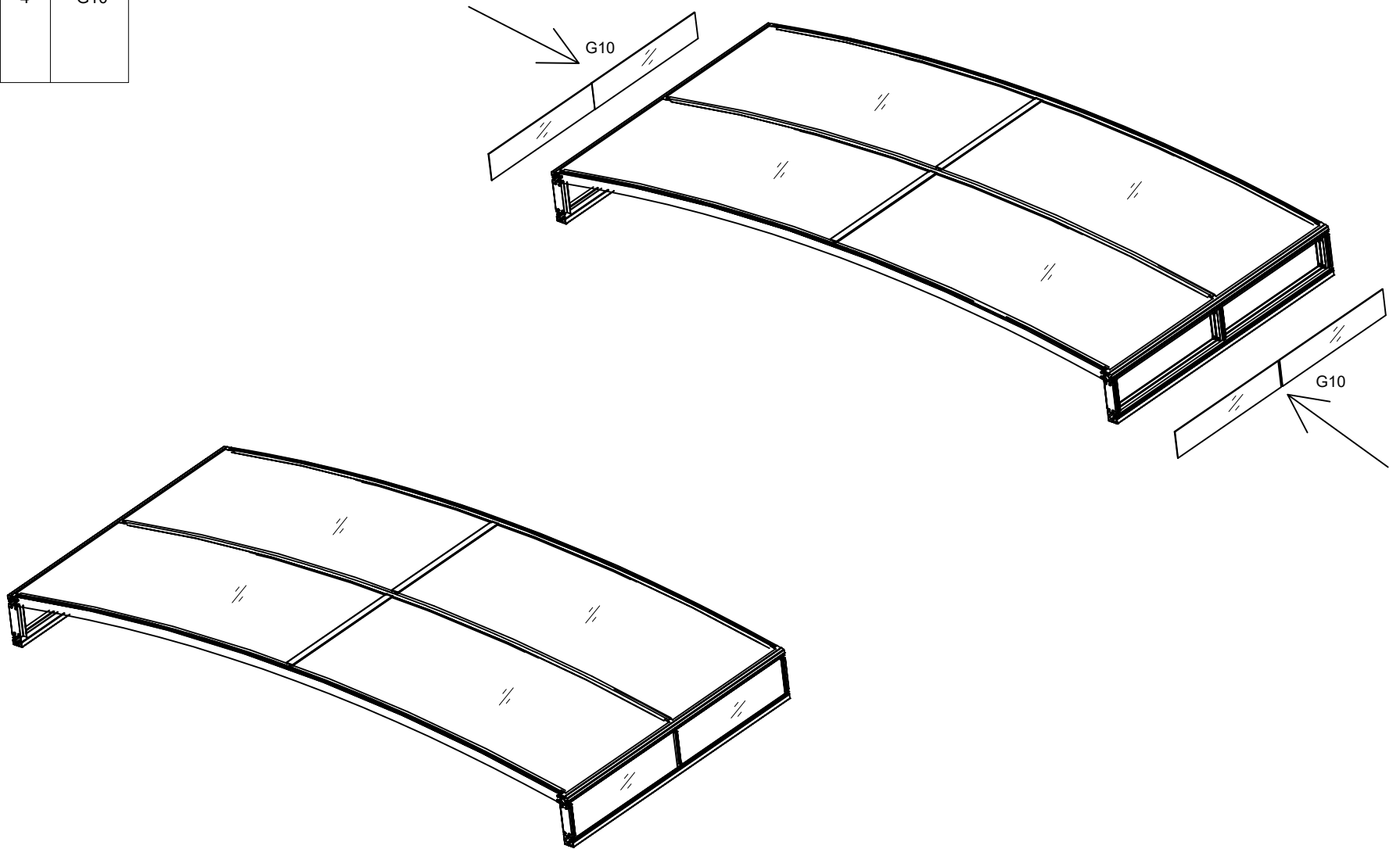
Part	product	NO.	Length(mm)	QTY.	code
▼H	SH9002F	92X-I4-3	2455	2	9X-I4-3
	SH9002F5	925X-I4-3	2957		
	SH9003F	93X-I4-3	3460		
	SH9003F5	935X-I4-3	3962		
	SH9004F	94X-I4-3	4465		
	SH9004F5	945X-I4-3	4967		
	SH9005F	95X-I4-3	5470		
▼H	SH9002F	92X-J4-3	2455	1	9X-J4-3
	SH9002F5	925X-J4-3	2957		
	SH9003F	93X-J4-3	3460		
	SH9003F5	935X-J4-3	3962		
	SH9004F	94X-J4-3	4465		
	SH9004F5	945X-J4-3	4967		
	SH9005F	95X-J4-2	5470		
▼H		90X-J-B	1110	2	








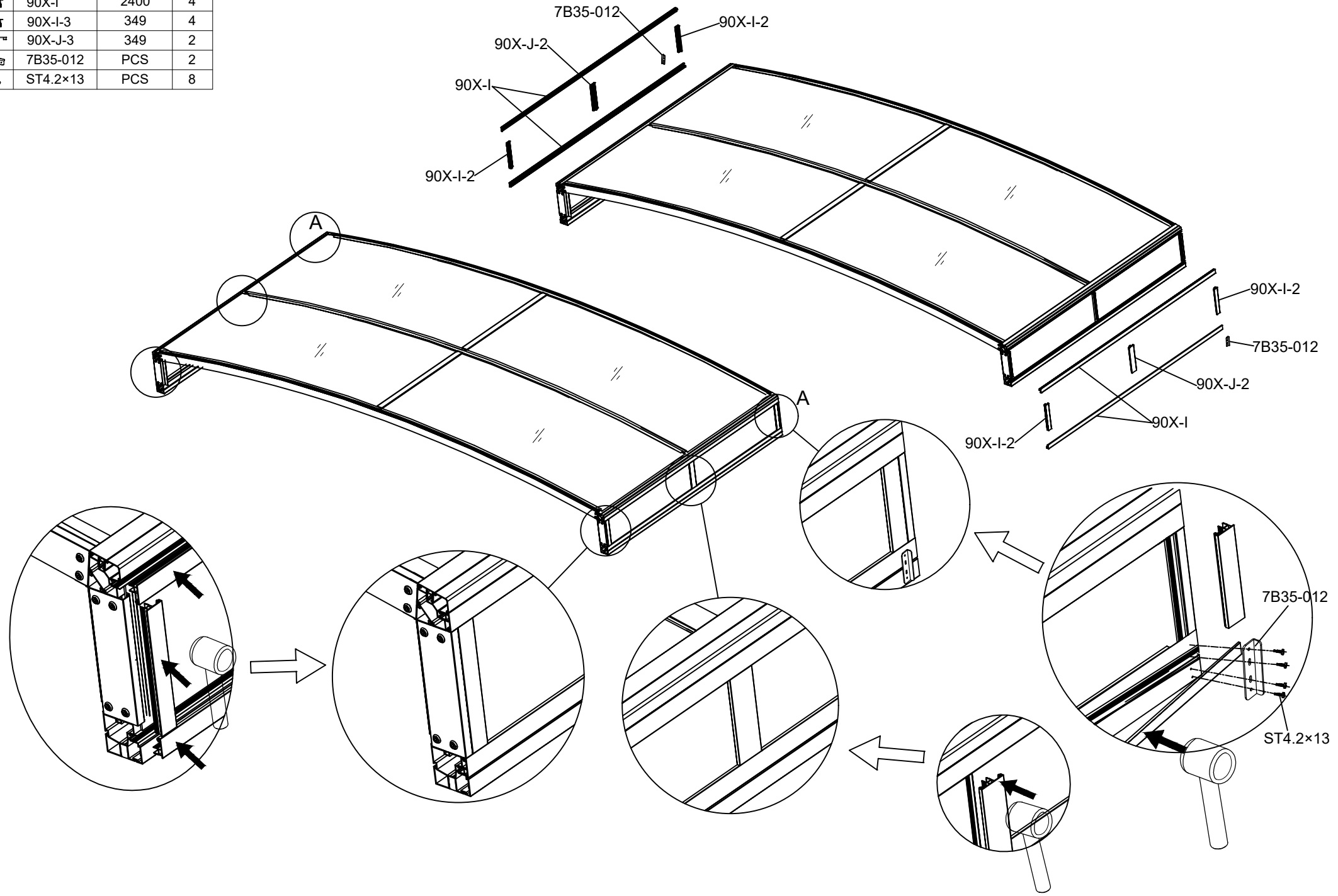
Part	NO.	Length(mm)	QTY.
▼	90X-I	2400	2






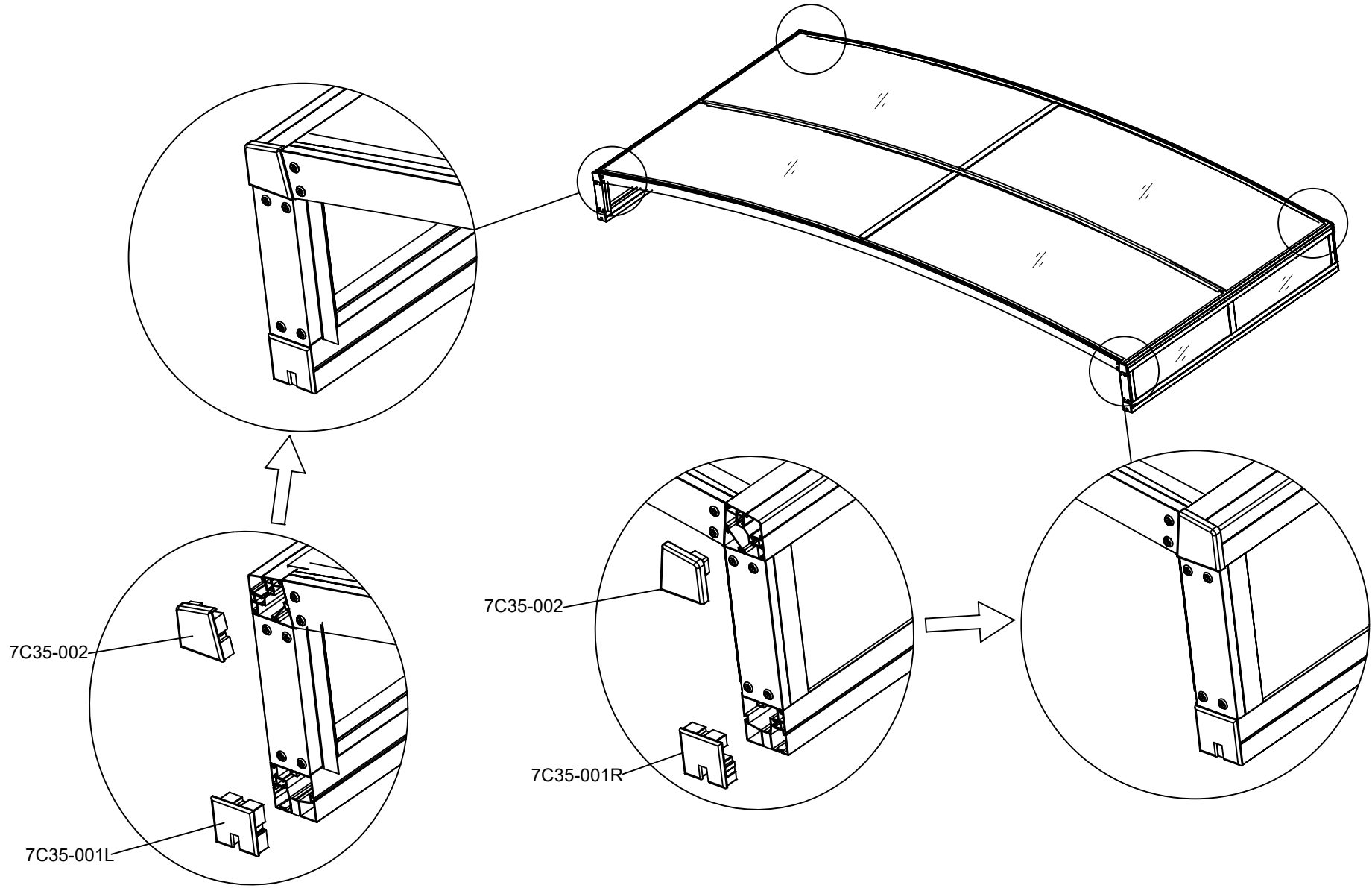
Part	product	NO.	QTY.	code
	SH9002F	1151×390	4	G10
	SH9002F5			
	SH9003F			
	SH9003F5			
	SH9004F			
	SH9004F5			
	SH9005F			










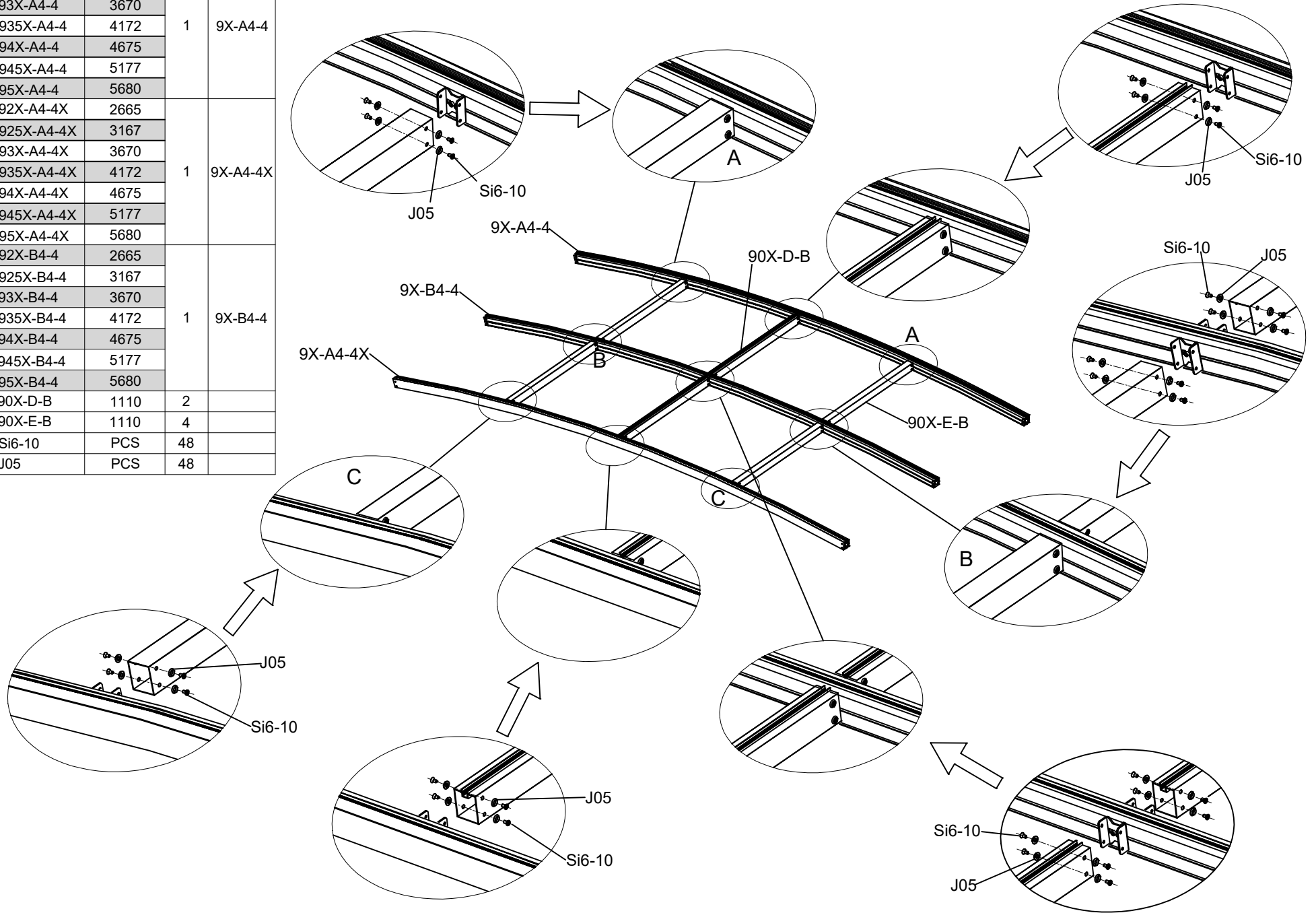
Part	NO.	Length(mm)	QTY.
	90X-I	2400	4
	90X-I-3	349	4
	90X-J-3	349	2
	7B35-012	PCS	2
	ST4.2x13	PCS	8

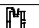
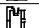
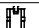









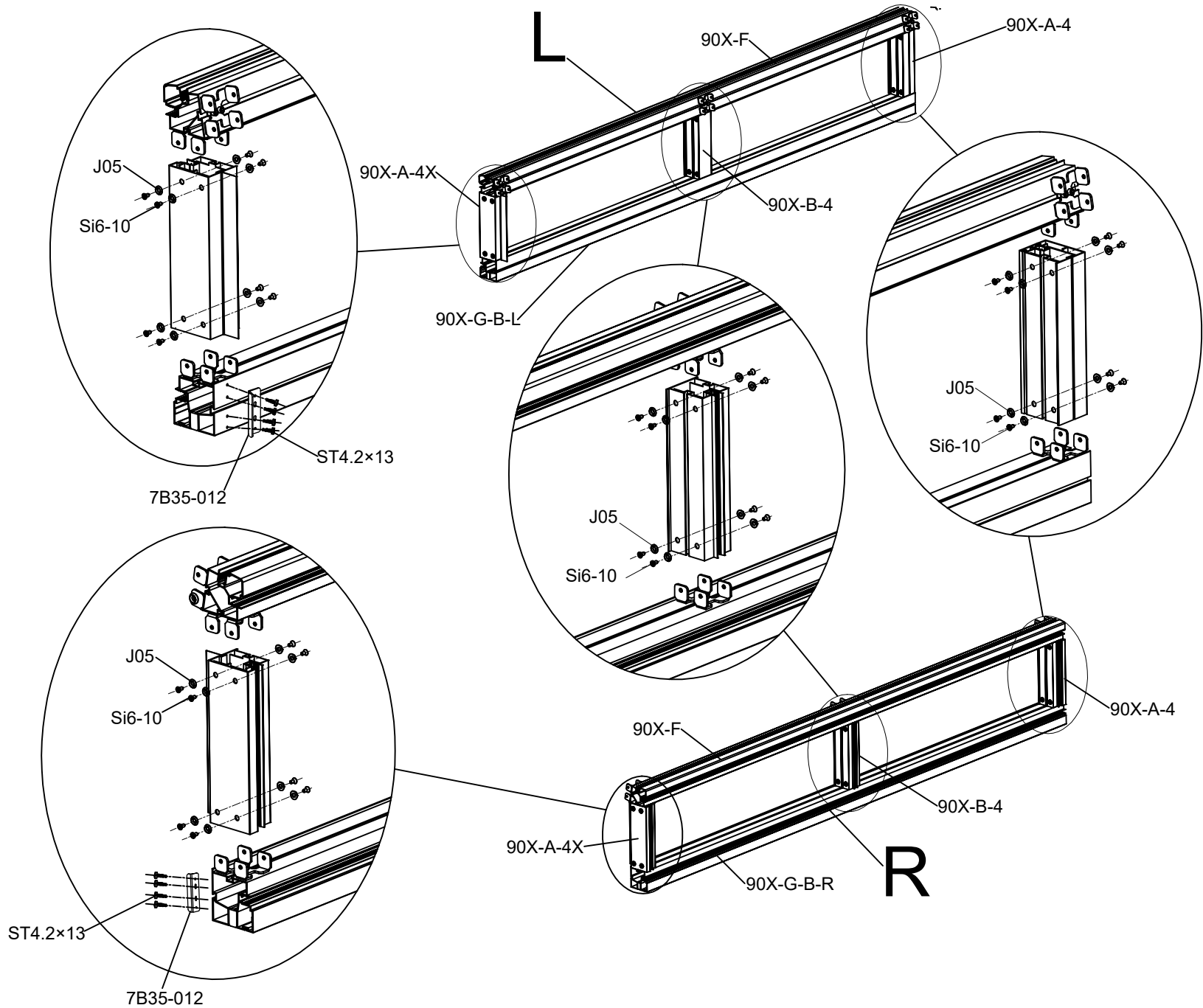
Part	NO.	Length(mm)	QTY.
	7C35-002	PCS	4
	7C35-001L	PCS	2
	7C35-001R	PCS	2







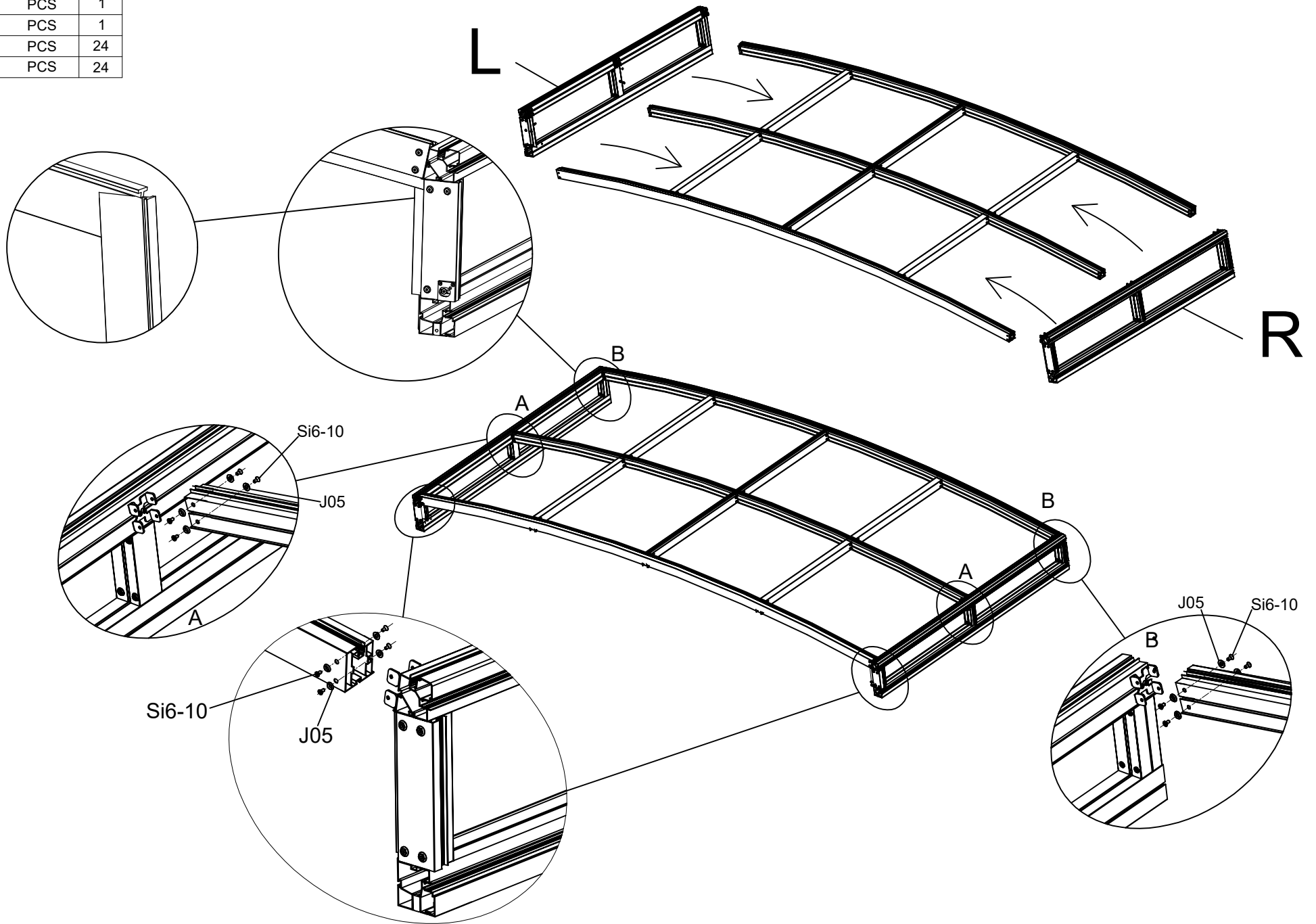
Part	product	NO.	Length(mm)	QTY.	code
	SH9002F	92X-A4-4	2665	1	9X-A4-4
	SH9002F5	925X-A4-4	3167		
	SH9003F	93X-A4-4	3670		
	SH9003F5	935X-A4-4	4172		
	SH9004F	94X-A4-4	4675		
	SH9004F5	945X-A4-4	5177		
	SH9005F	95X-A4-4	5680		
	SH9002F	92X-A4-4X	2665	1	9X-A4-4X
	SH9002F5	925X-A4-4X	3167		
	SH9003F	93X-A4-4X	3670		
	SH9003F5	935X-A4-4X	4172		
	SH9004F	94X-A4-4X	4675		
	SH9004F5	945X-A4-4X	5177		
	SH9005F	95X-A4-4X	5680		
	SH9002F	92X-B4-4	2665	1	9X-B4-4
	SH9002F5	925X-B4-4	3167		
	SH9003F	93X-B4-4	3670		
	SH9003F5	935X-B4-4	4172		
	SH9004F	94X-B4-4	4675		
	SH9004F5	945X-B4-4	5177		
	SH9005F	95X-B4-4	5680		
		90X-D-B	1110	2	
		90X-E-B	1110	4	
		Si6-10	PCS	48	
		J05	PCS	48	




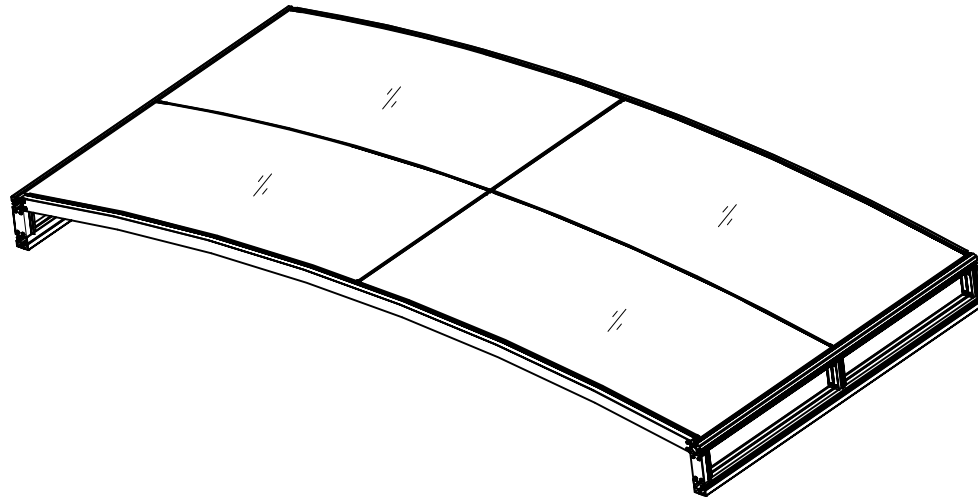
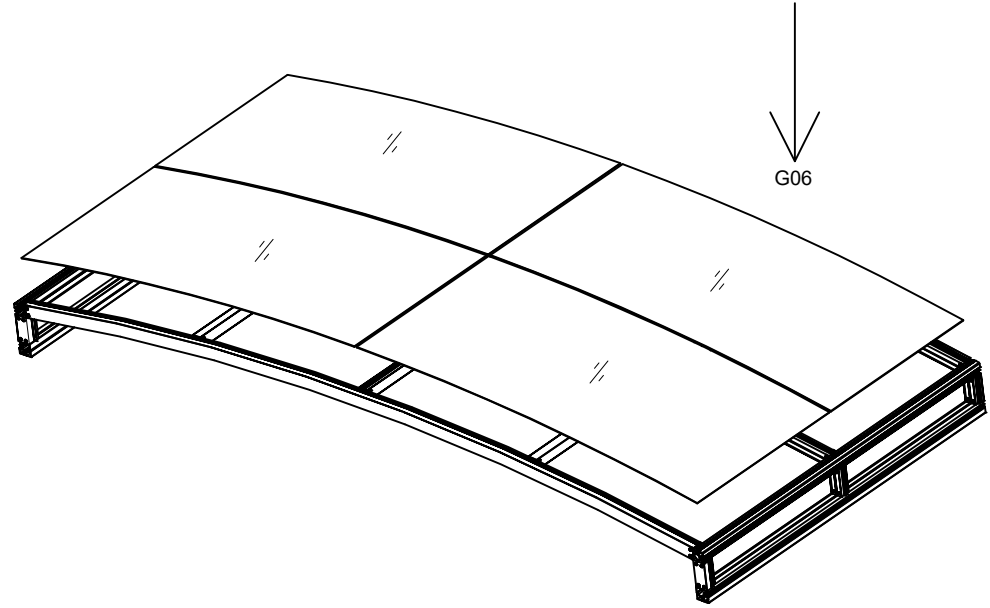
Part	NO.	Length(mm)	QTY.
	90X-A-4	432	2
	90X-A-4X	432	2
	90X-B-4	432	2
	90X-F	2400	2
	90X-G-B-L	2400	1
	90X-G-B-R	2400	1
	7B35-012	PCS	2
	ST4.2x13	PCS	8
	Si6-10	PCS	48
	J05	PCS	48



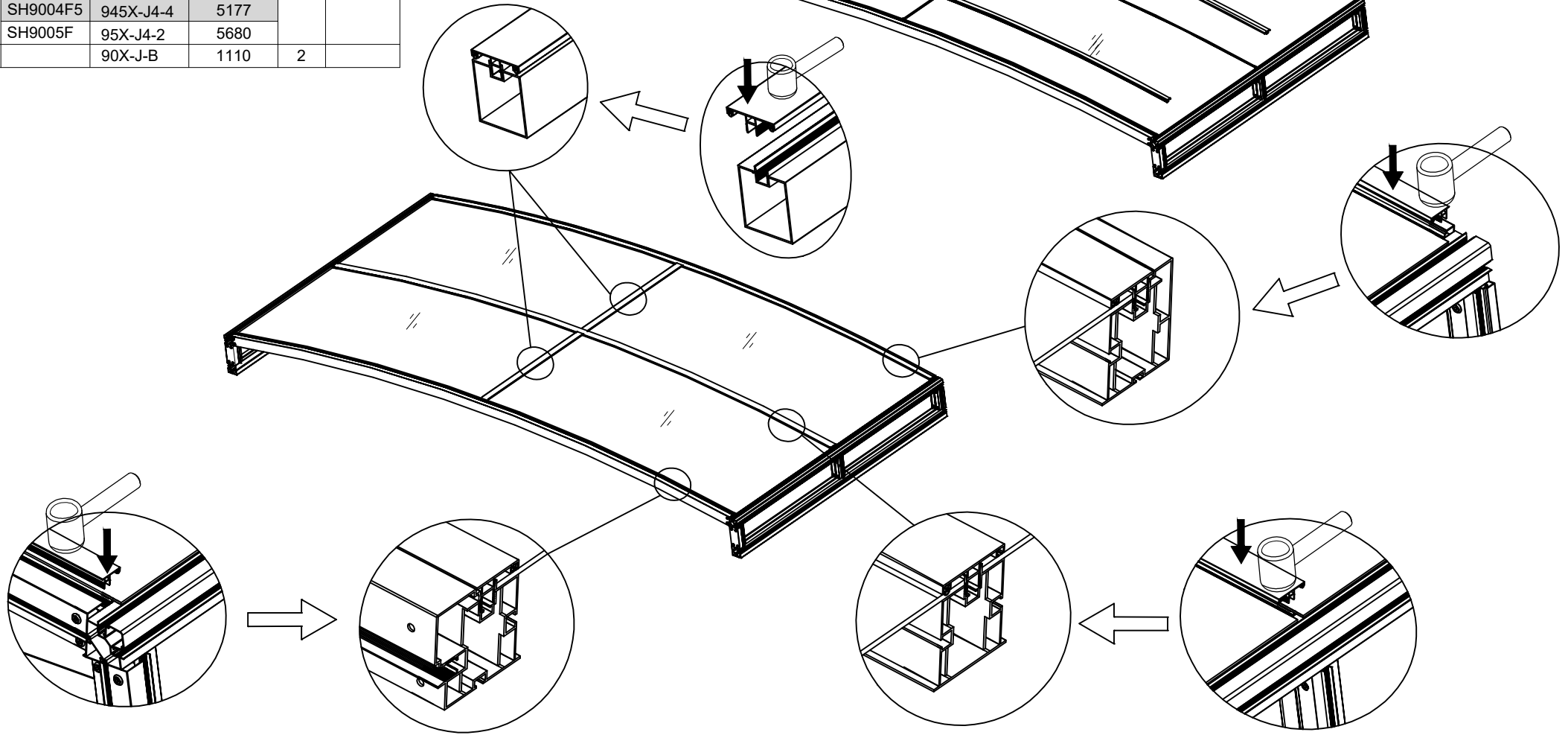
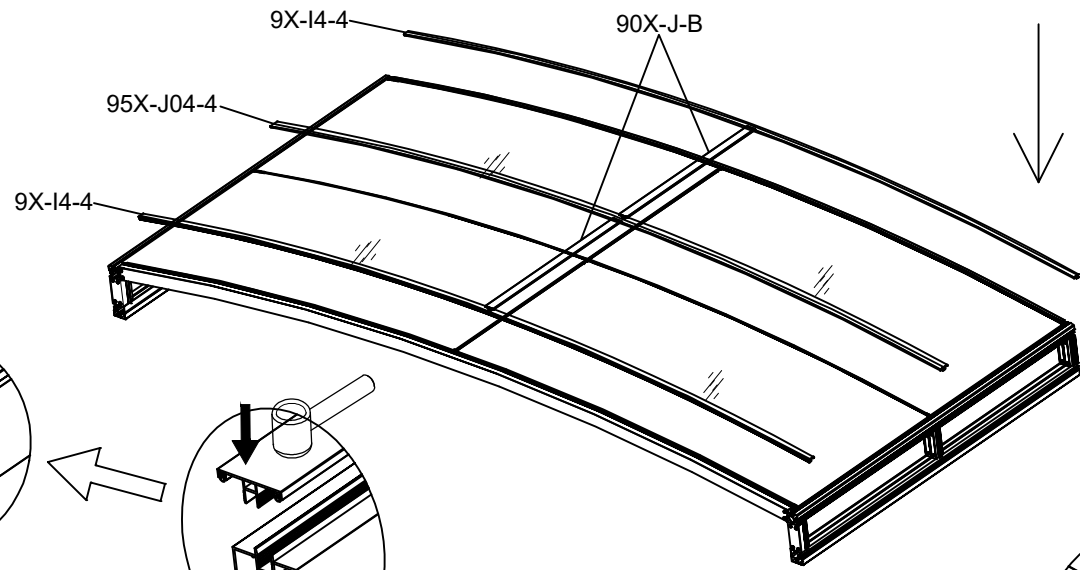
Part	NO.	Length(mm)	QTY.
	Page29	PCS	1
	Page30	PCS	1
	Si6-10	PCS	24
	J05	PCS	24



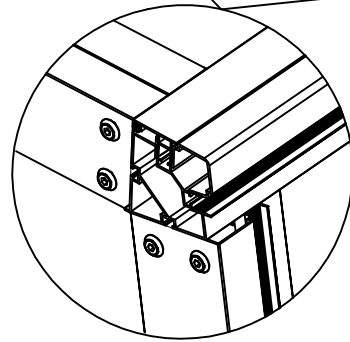
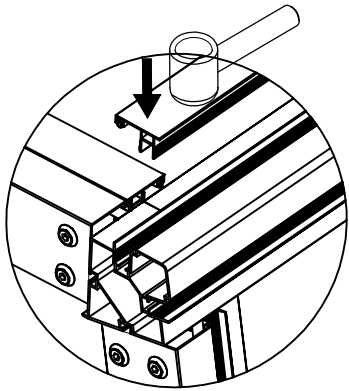
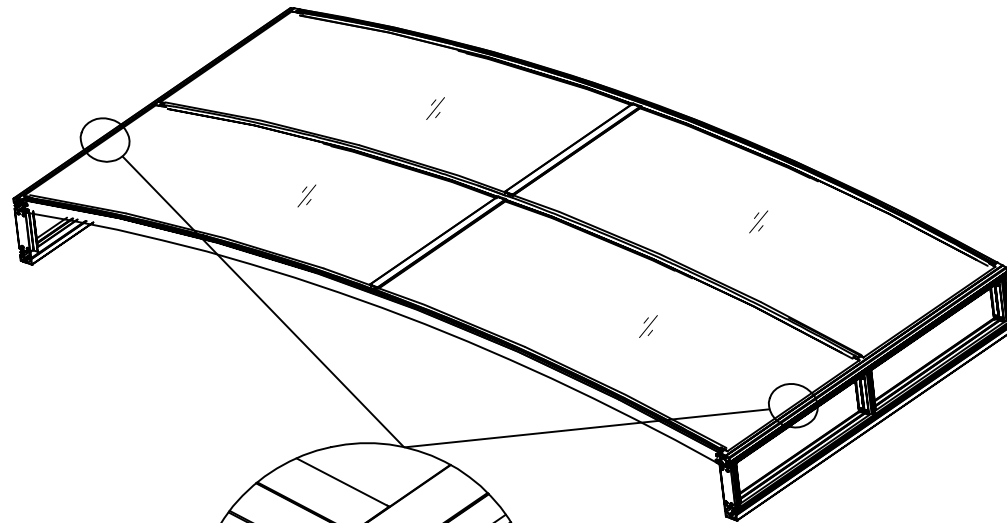
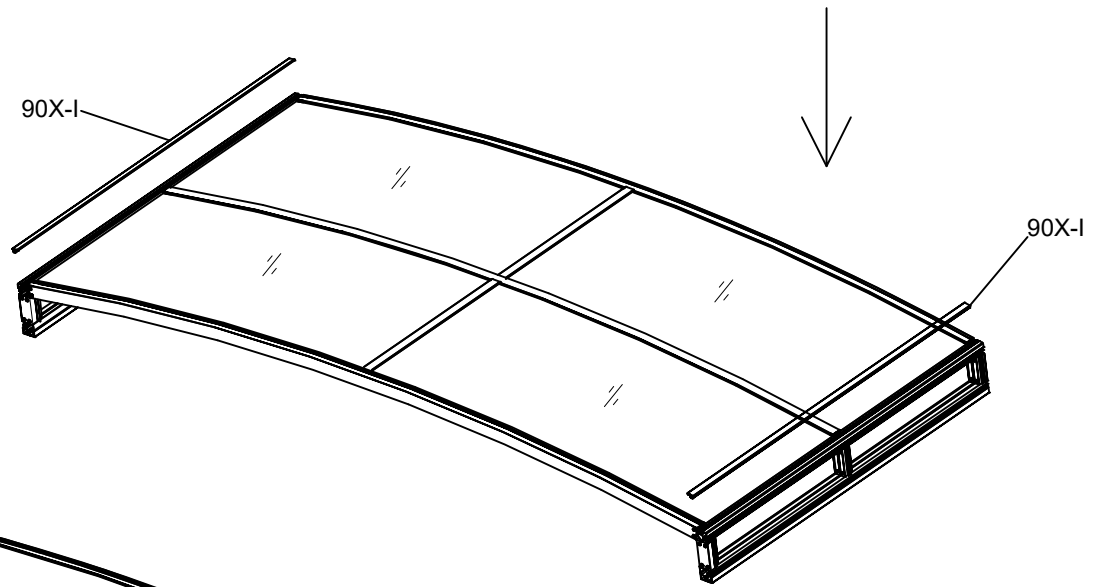
Part	product	NO.	QTY.	code
	SH9002H	1151×1344	4	G06
	SH9002H5	1151×1595		
	SH9003H	1151×1846		
	SH9003H5	1151×2097		
	SH9004H	1151×2348		
	SH9004H5	1151×2600		
	SH9005H	1151×2851		




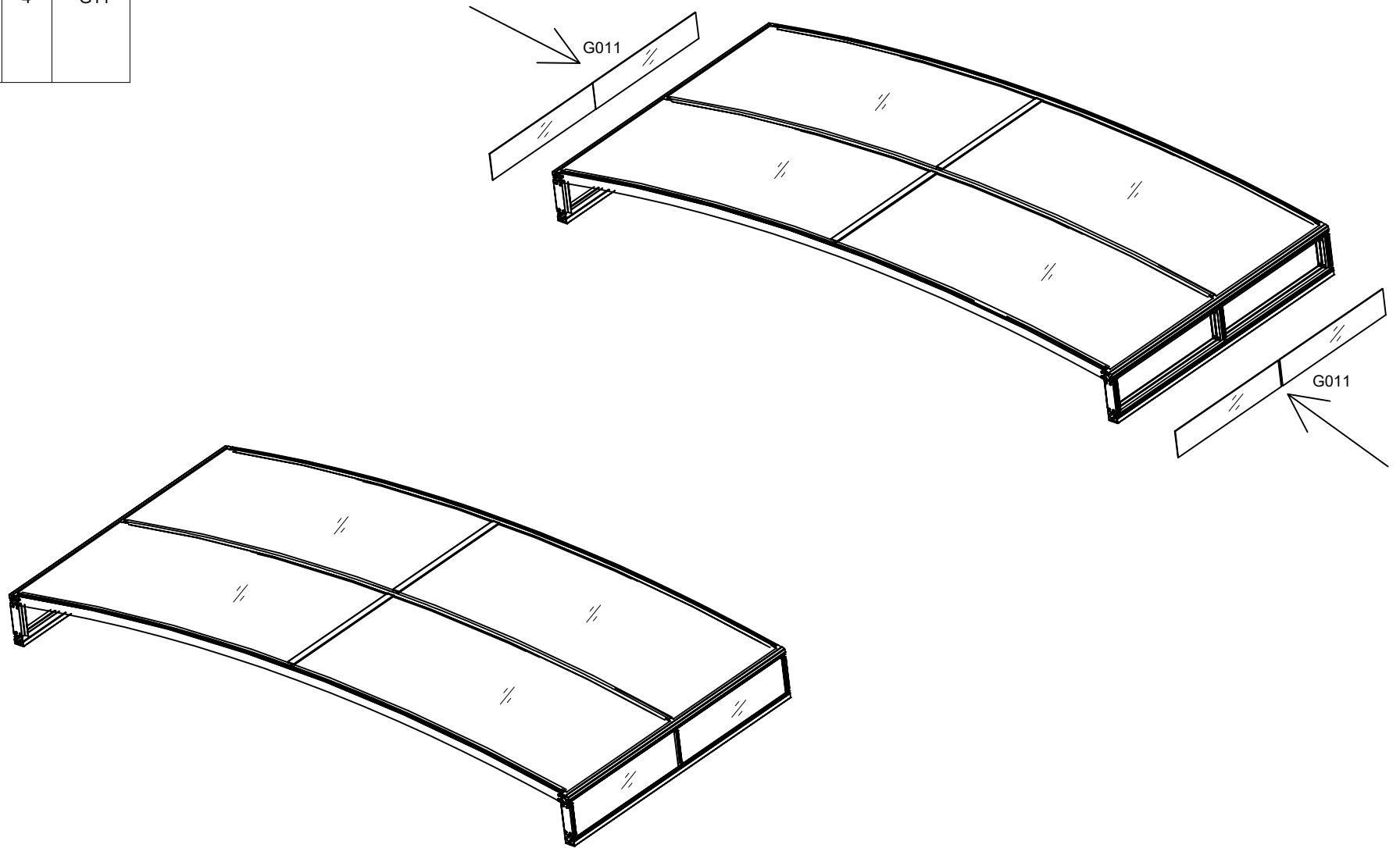
Part	product	NO.	Length(mm)	QTY.	code
▼H	SH9002F	92X-I4-4	2665	2	9X-I4-4
	SH9002F5	925X-I4-4	3167		
	SH9003F	93X-I4-4	3670		
	SH9003F5	935X-I4-4	4172		
	SH9004F	94X-I4-4	4675		
	SH9004F5	945X-I4-4	5177		
	SH9005F	95X-I4-4	5680		
▼H	SH9002F	92X-J4-4	2665	1	9X-J4-4
	SH9002F5	925X-J4-4	3167		
	SH9003F	93X-J4-4	3670		
	SH9003F5	935X-J4-4	4172		
	SH9004F	94X-J4-4	4675		
	SH9004F5	945X-J4-4	5177		
	SH9005F	95X-J4-2	5680		
▼H		90X-J-B	1110	2	▼H








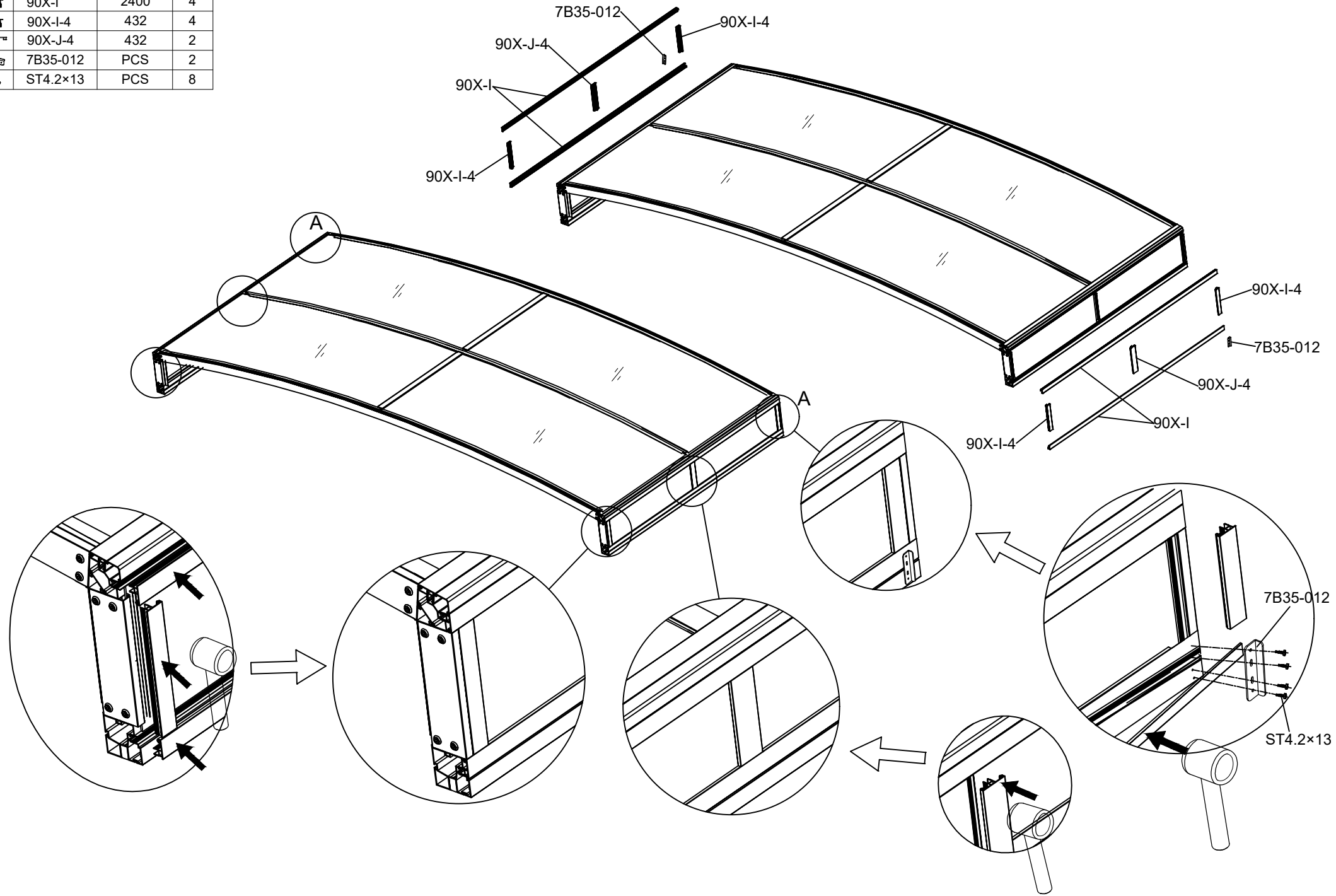
Part	NO.	Length(mm)	QTY.
▼ ▮	90X-1	2400	2






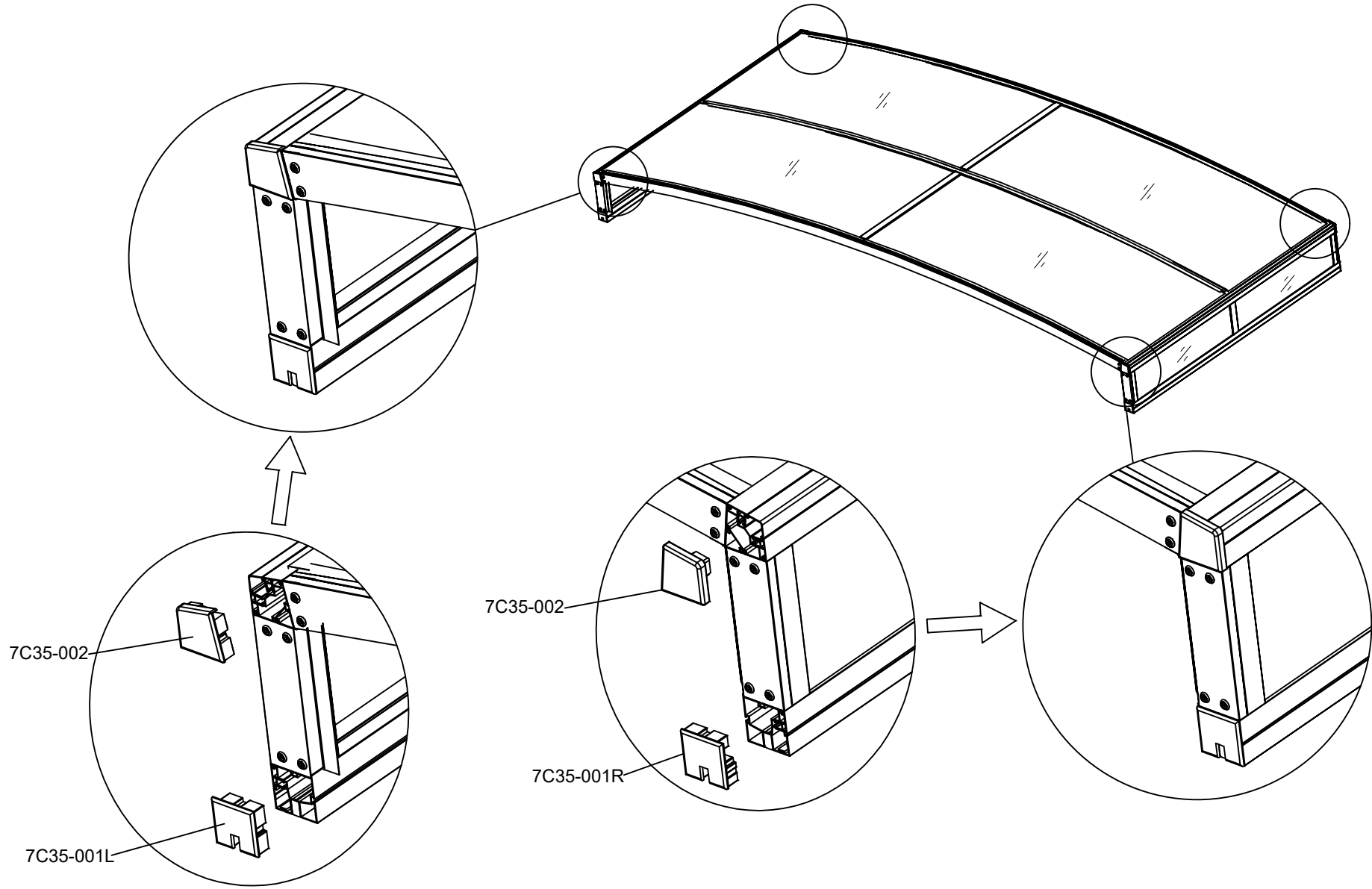
Part	product	NO.	QTY.	code
	SH900H	1151×473	4	G11
	SH9002H5			
	SH9003H			
	SH9003H5			
	SH9004H			
	SH9004H5			
	SH9005H			


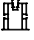
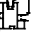






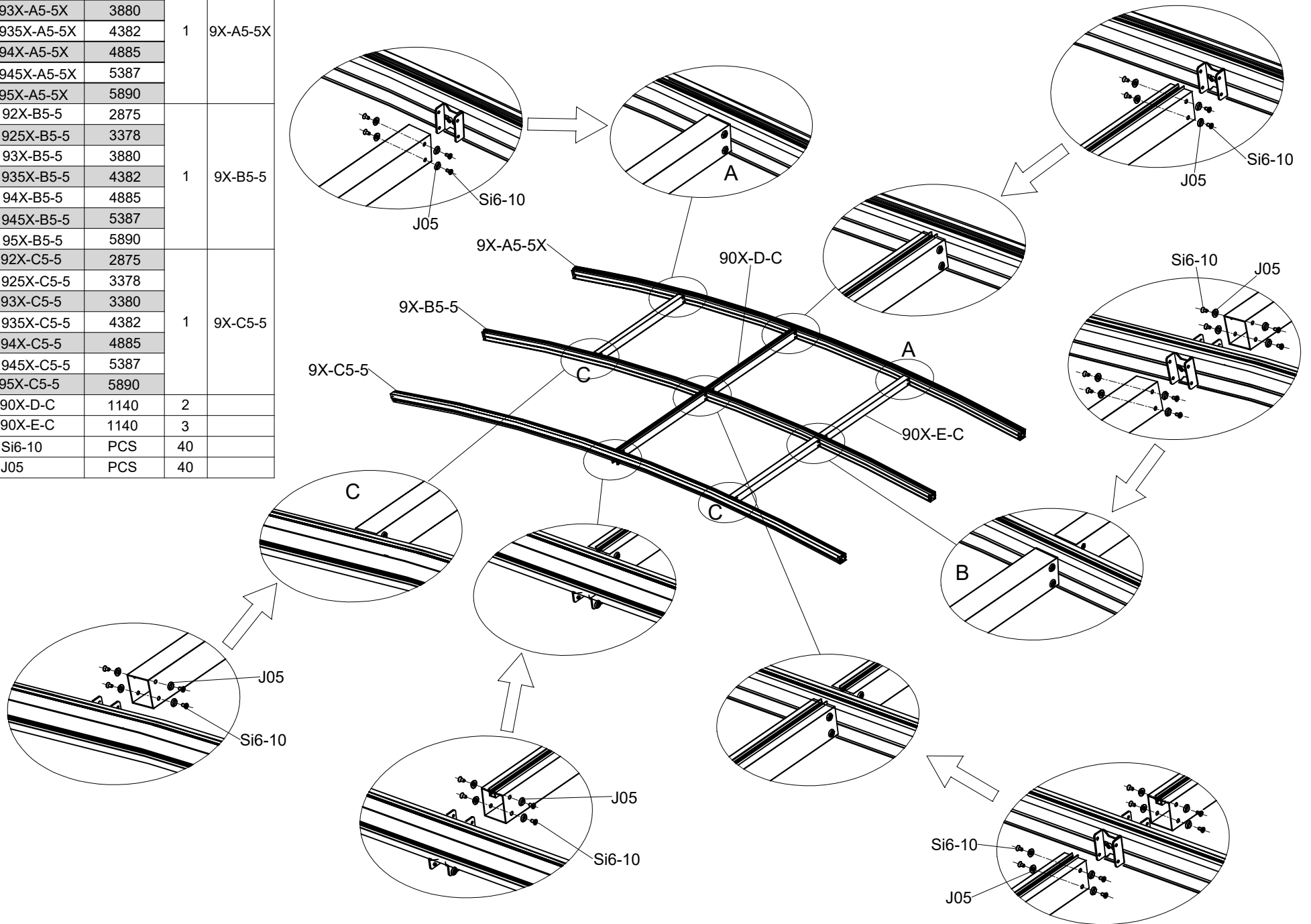
Part	NO.	Length(mm)	QTY.
	90X-I	2400	4
	90X-I-4	432	4
	90X-J-4	432	2
	7B35-012	PCS	2
	ST4.2×13	PCS	8



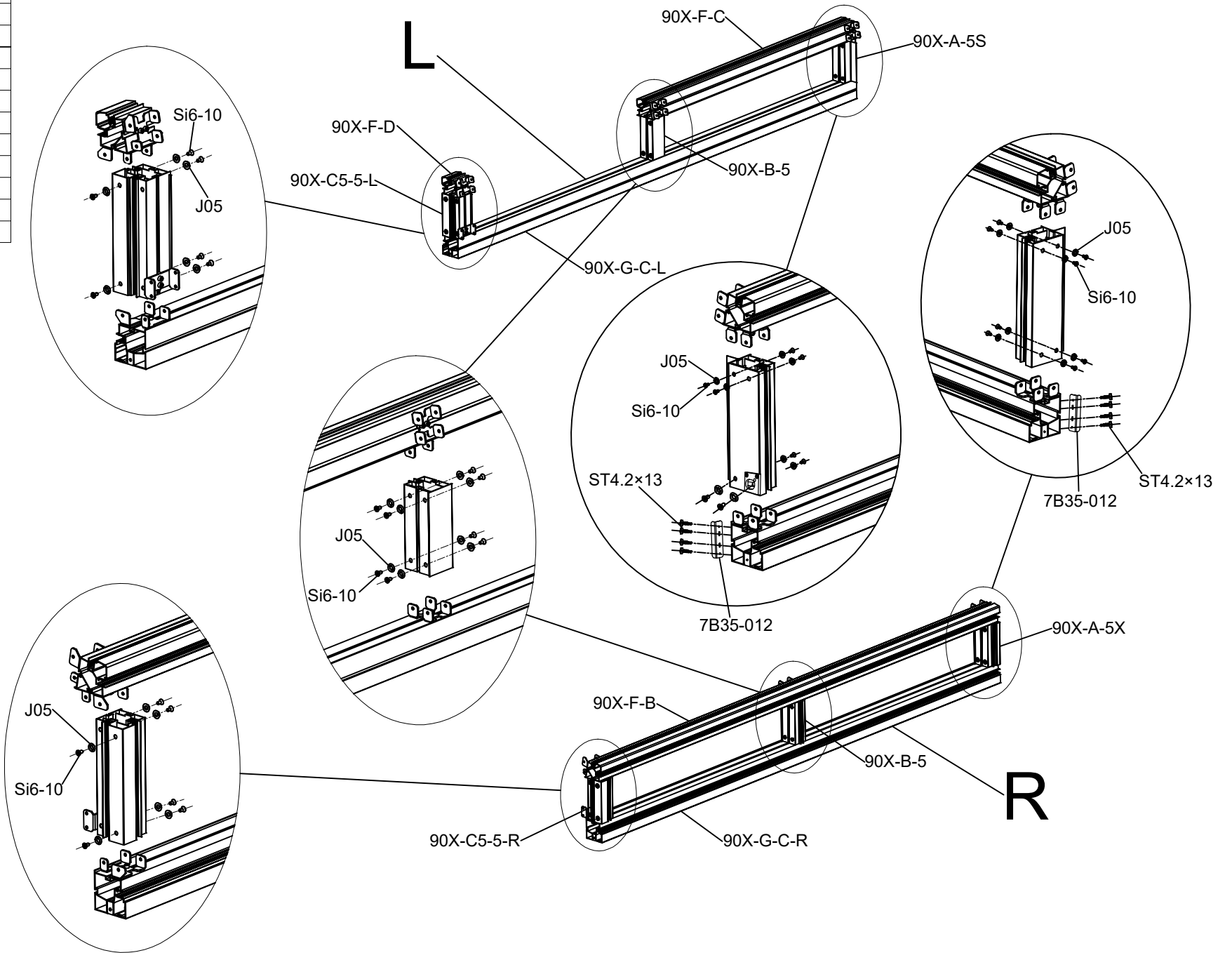
Part	NO.	Length(mm)	QTY.
	7C35-002	PCS	4
	7C35-001L	PCS	2
	7C35-001R	PCS	2







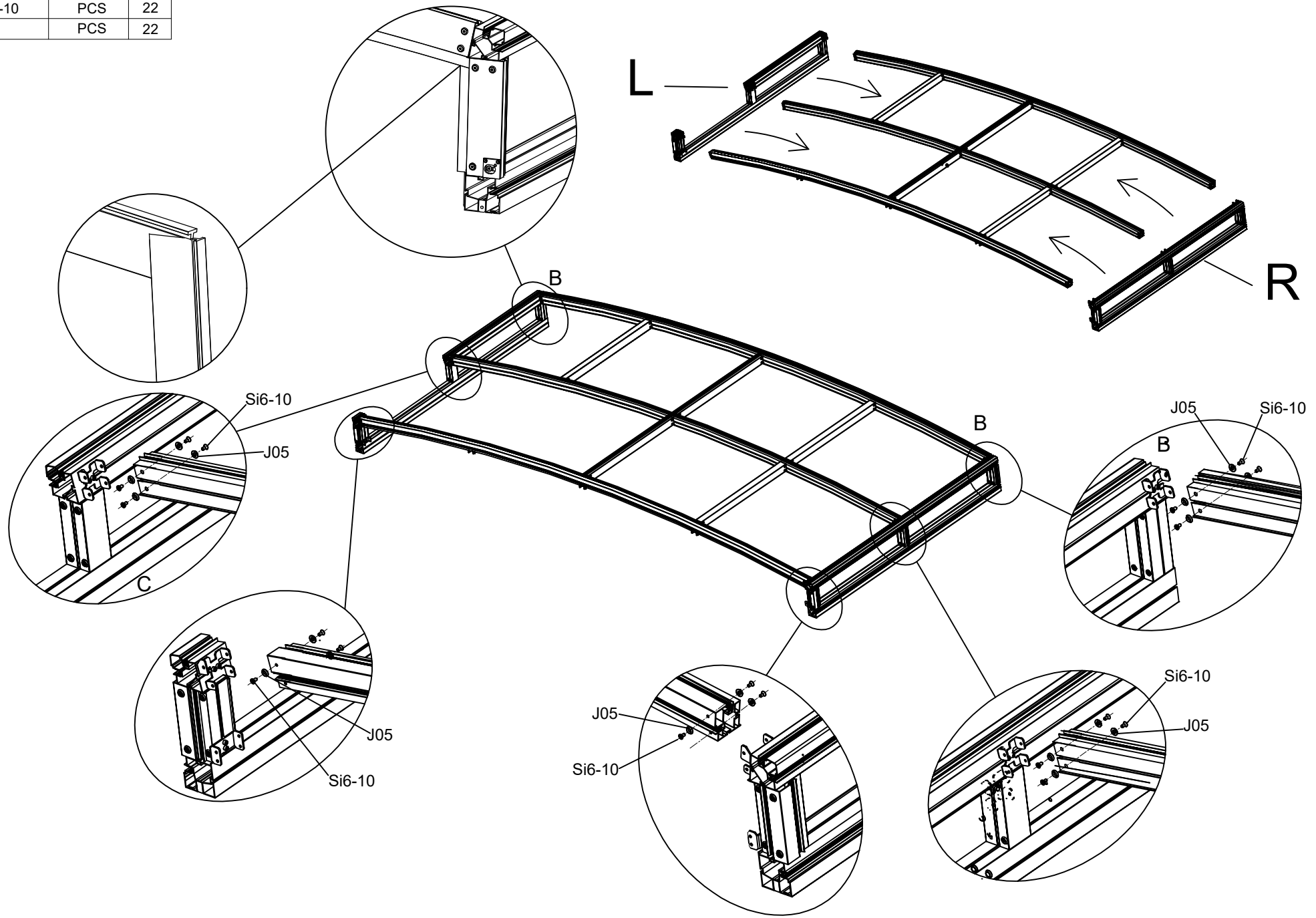
Part	product	NO.	Length(mm)	QTY.	code
	SH9002H	92X-A5-5X	2875	1	9X-A5-5X
	SH9002H5	925X-A5-5X	3378		
	SH9003H	93X-A5-5X	3880		
	SH9003H5	935X-A5-5X	4382		
	SH9004H	94X-A5-5X	4885		
	SH9004H5	945X-A5-5X	5387		
	SH9005H	95X-A5-5X	5890		
	SH9002H	92X-B5-5	2875	1	9X-B5-5
	SH9002H5	925X-B5-5	3378		
	SH9003H	93X-B5-5	3880		
	SH9003H5	935X-B5-5	4382		
	SH9004H	94X-B5-5	4885		
	SH9004H5	945X-B5-5	5387		
	SH9005H	95X-B5-5	5890		
	SH9002H	92X-C5-5	2875	1	9X-C5-5
	SH9002H5	925X-C5-5	3378		
	SH9003H	93X-C5-5	3380		
	SH9003H5	935X-C5-5	4382		
	SH9004H	94X-C5-5	4885		
	SH9004H5	945X-C5-5	5387		
	SH9005H	95X-C5-5	5890		
		90X-D-C	1140	2	
		90X-E-C	1140	3	
		Si6-10	PCS	40	
		J05	PCS	40	



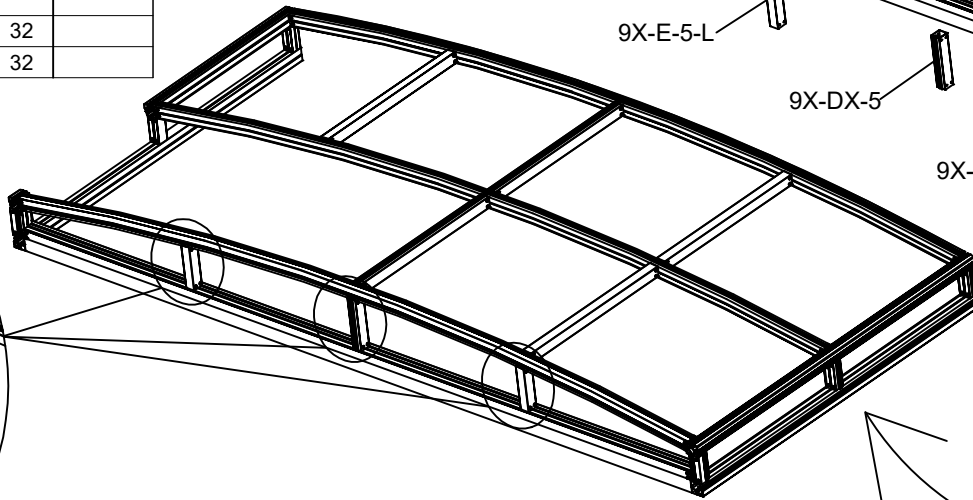
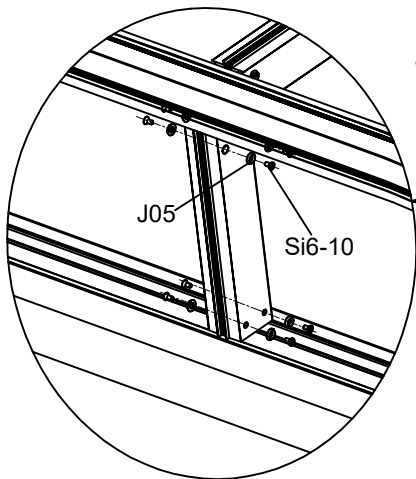
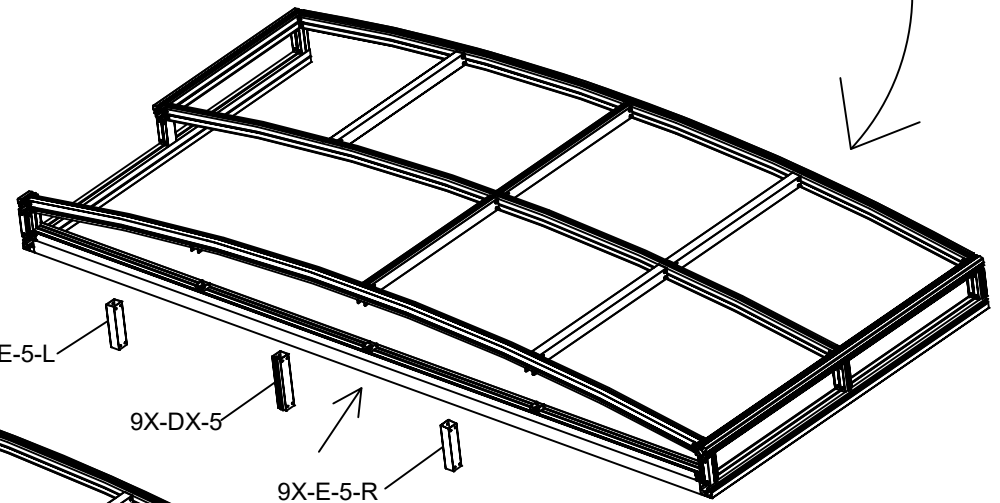
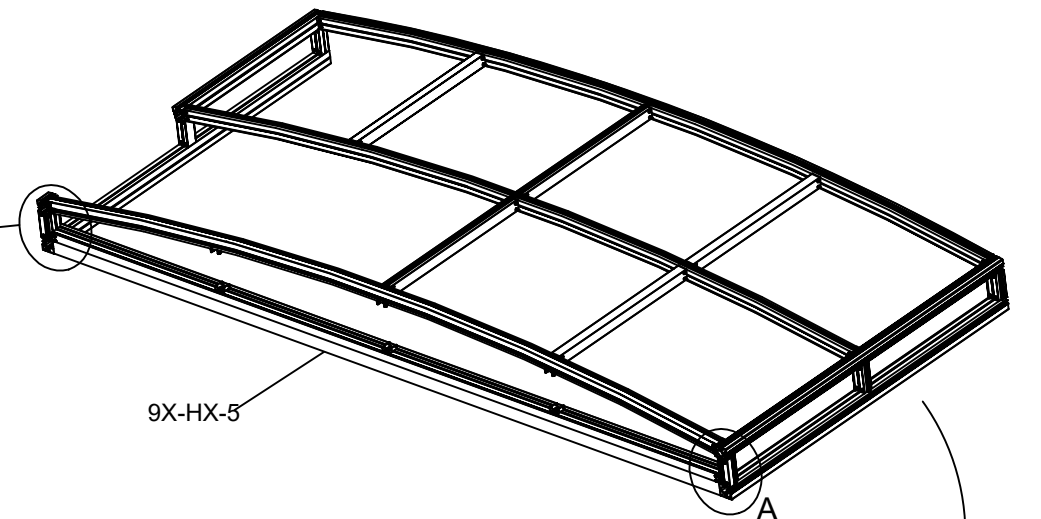
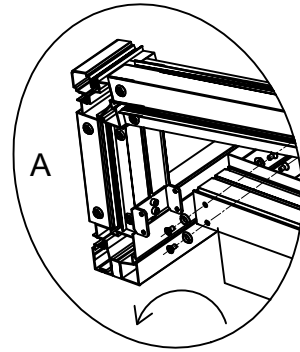
Part	NO.	Length(mm)	QTY.
	90X-A-5S	514	2
	90X-B-5X	514	2
	90X-C5-5-L	514	1
	90X-C5-5-R	514	1
	90X-F-B	2480	1
	90X-F-C	1260	1
	90X-F-D	80	1
	90X-G-C-L	2480	1
	90X-G-C-R	2480	1
	7B35-012	PCS	2
	ST4.2x13	PCS	8
	Si6-10	PCS	46
	J05	PCS	46




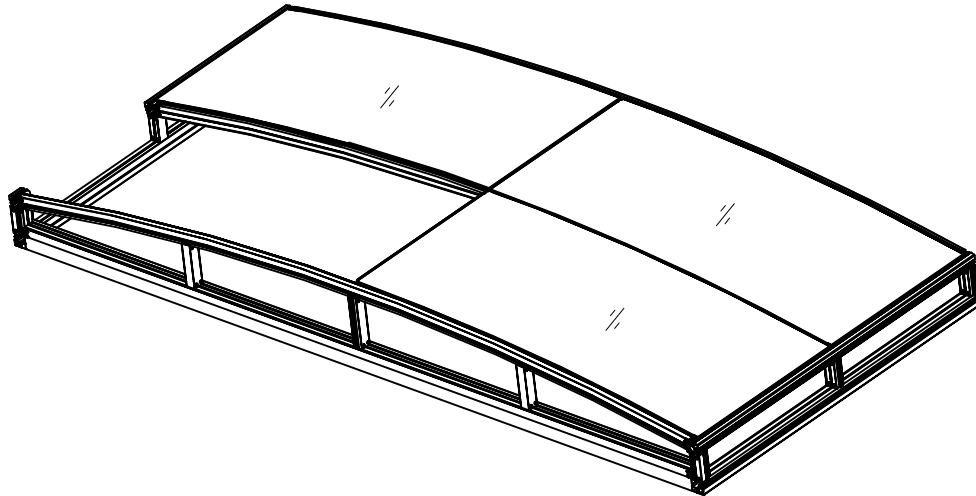
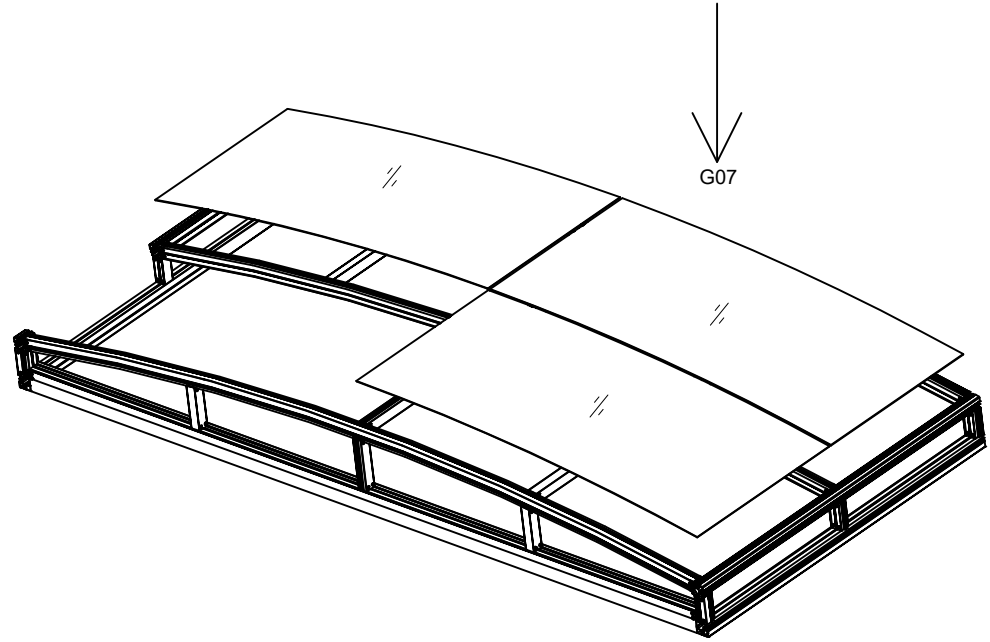
Part	NO.	Length(mm)	QTY.
	Page38	PCS	1
	Page39	PCS	1
	Si6-10	PCS	22
	J05	PCS	22



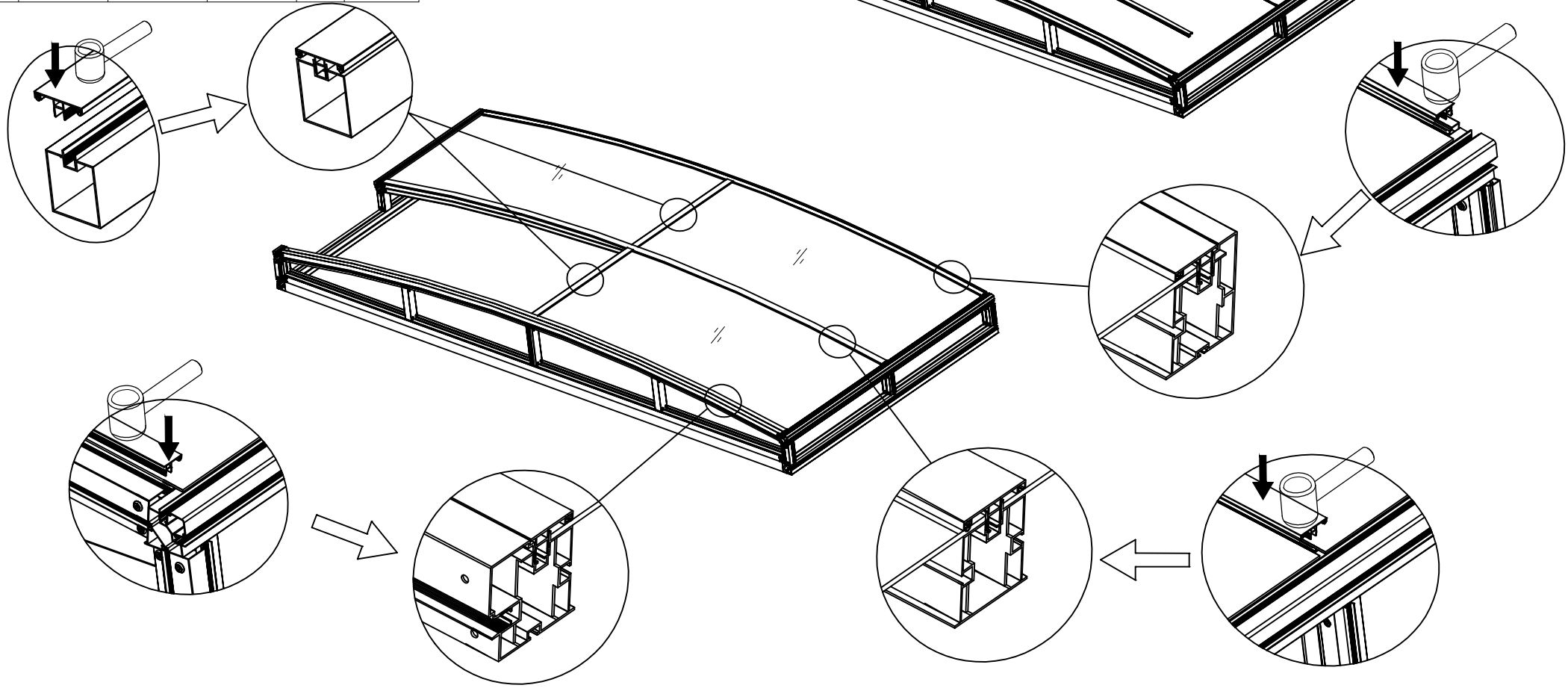
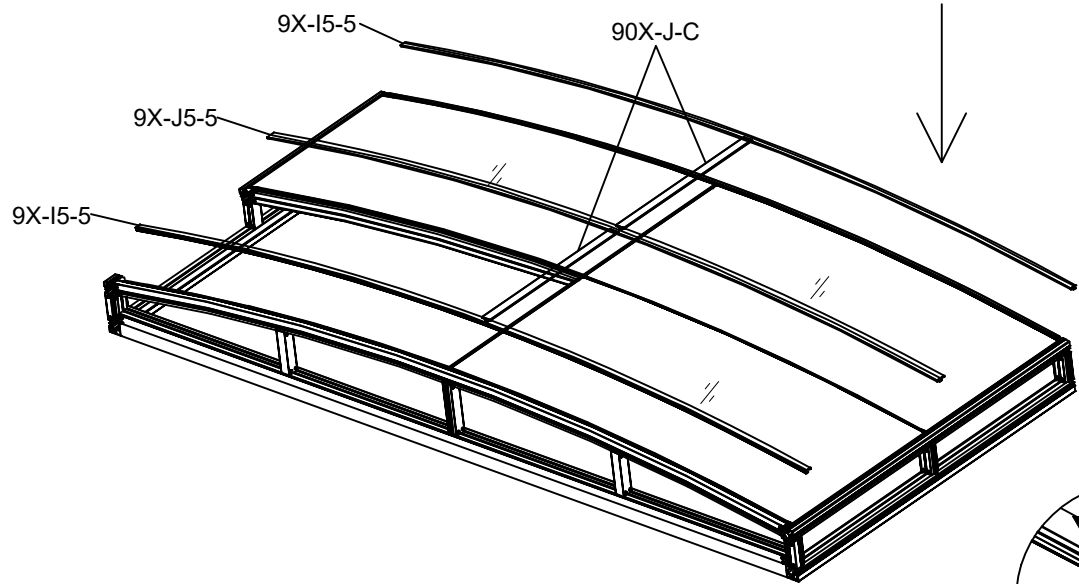
Part	product	NO.	Length(mm)	QTY.	code
☐	SH9002H	90X-H2-5	2828	1	9X-HX-5
	SH9002H5	90X-H25-5	3328		
	SH9003H	90X-H3-5	3828		
	SH9003H5	90X-H35-5	4328		
	SH9004H	90X-H4-5	4828		
	SH9004H5	9X-H45-5	5328		
	SH9005H	90X-H5-5	5828		
☐	SH9002H	92X-DX-5	612	1	9X-DX-5
	SH9002H5	925X-DX-5	633		
	SH9003H	93X-DX-5	655		
	SH9003H5	935X-DX-5	676		
	SH9004H	94X-DX-5	698		
	SH9004H5	945X-DX-5	719		
	SH9005H	95X-DX-5	741		
☐	SH9002H	92X-E-5-L	575	1	9X-E-5-L
	SH9002H5	925X-E-5-L	591		
	SH9003H	93X-E-5-L	607		
	SH9003H5	935X-E-5-L	623		
	SH9004H	94X-E-5-L	639		
	SH9004H5	945X-E-5-L	656		
	SH9005H	95X-E-5-L	672		
☐	SH9002H	92X-E-5-R	575	1	9X-E-5-R
	SH9002H5	925X-E-5-R	591		
	SH9003H	93X-E-5-R	607		
	SH9003H5	935X-E-5-R	623		
	SH9004H	94X-E-5-R	639		
	SH9004H5	945X-E-5-R	656		
	SH9005H	95X-E-5-R	672		
⊙		Si6-10	PCS	32	
⊙		J05	PCS	32	



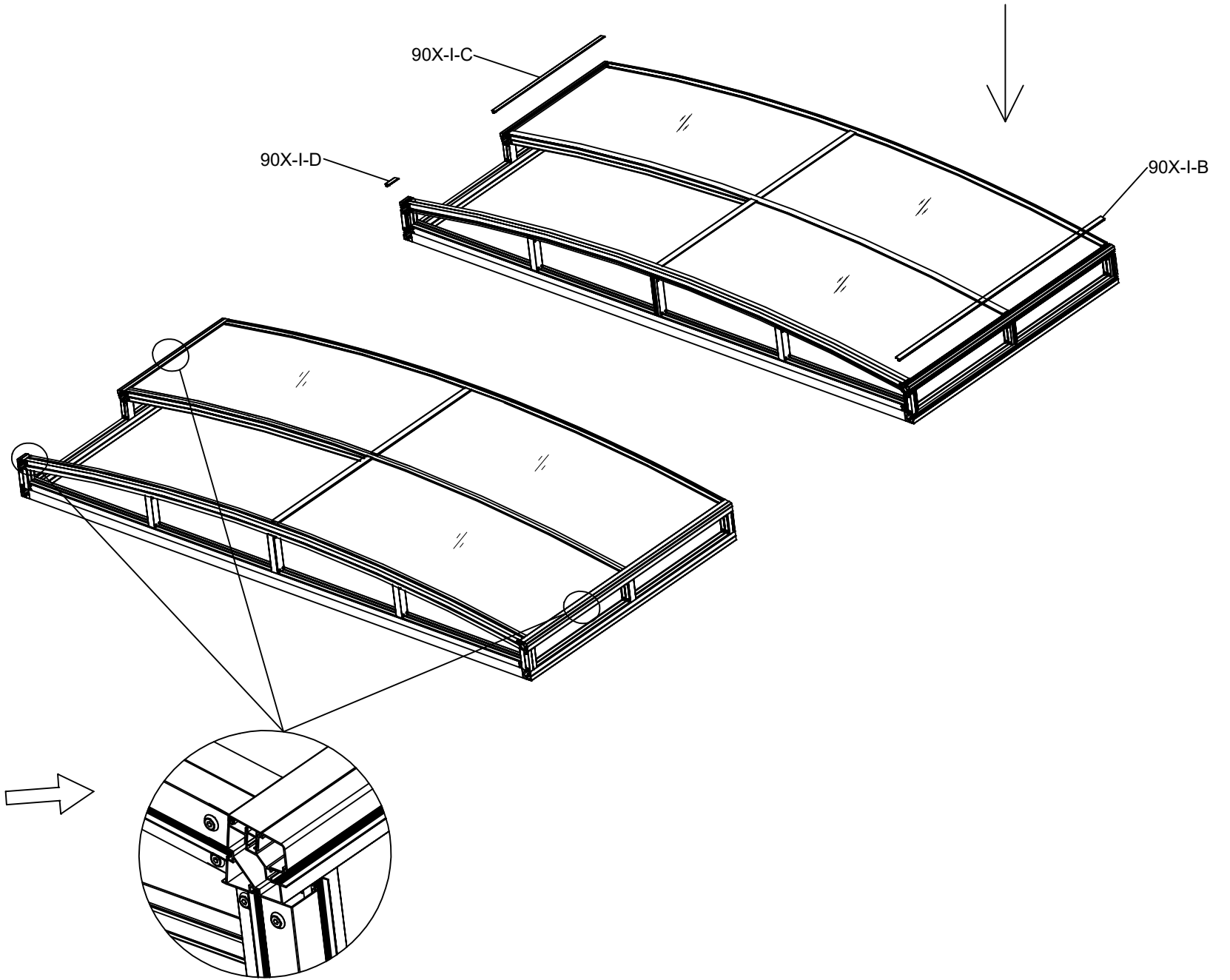
Part	product	NO.	QTY.	code
	SH9002H	1181×1449	3	G07
	SH9002H5	1181×1700		
	SH9003H	1181×1951		
	SH9003H5	1181×2202		
	SH9004H	1181×2453		
	SH9004H5	1181×2705		
	SH9005H	1181×2956		





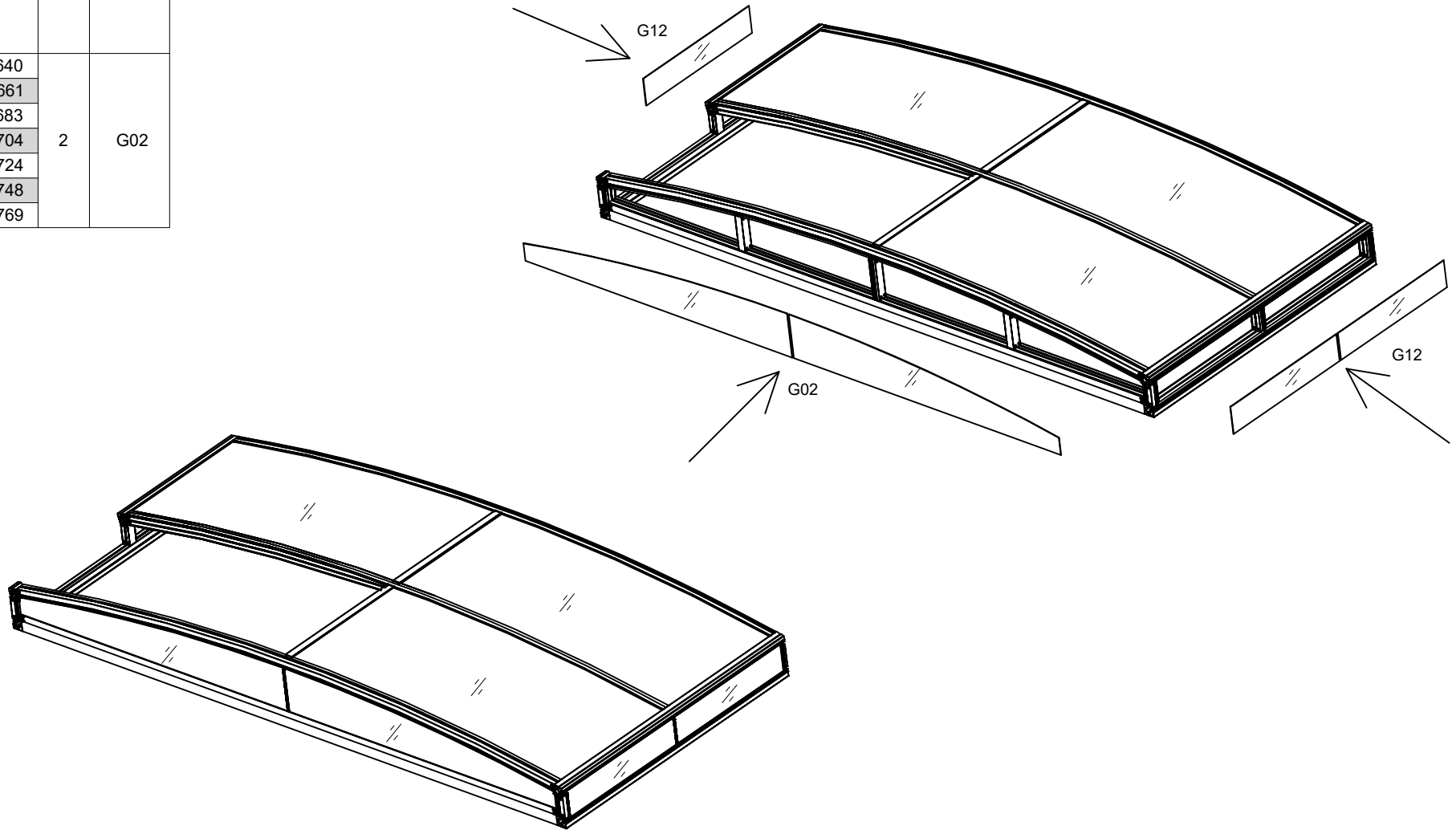
Part	product	NO.	Length(mm)	QTY.	code
▼H	SH9002H	92X-I5-5	2875	2	9X-I5-5
	SH9002H5	925X-I5-5	3378		
	SH9003H	93X-I5-5	3880		
	SH9003H5	935X-I5-5	4382		
	SH9004H	94X-I5-5	4885		
	SH9004H5	945X-I5-5	5387		
	SH9005H	95X-I5-5	5890		
▼H	SH9002H	92X-J5-5	2875	1	9X-J5-5
	SH9002H5	925X-J5-5	3378		
	SH9003H	93X-J5-5	3880		
	SH9003H5	935X-J5-5	4382		
	SH9004H	94X-J5-5	4885		
	SH9004H5	945X-J5-5	5387		
	SH9005H	95X-J5-5	5890		
▼H		90X-J-C	1140	2	



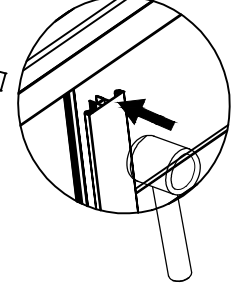
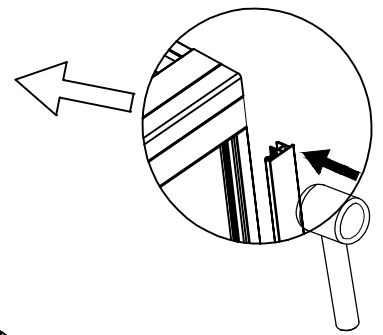
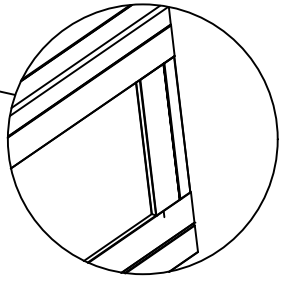
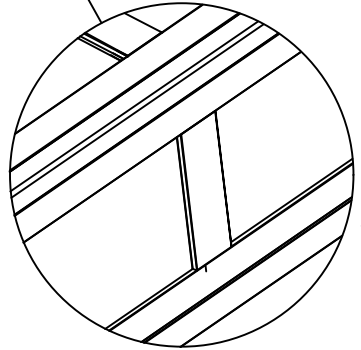
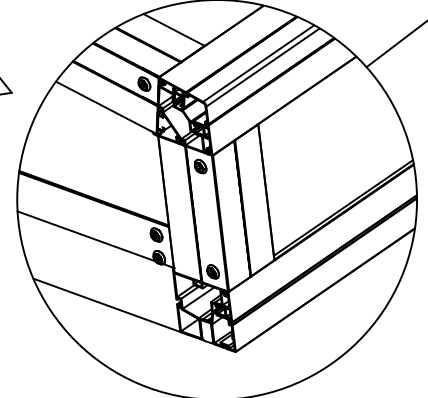
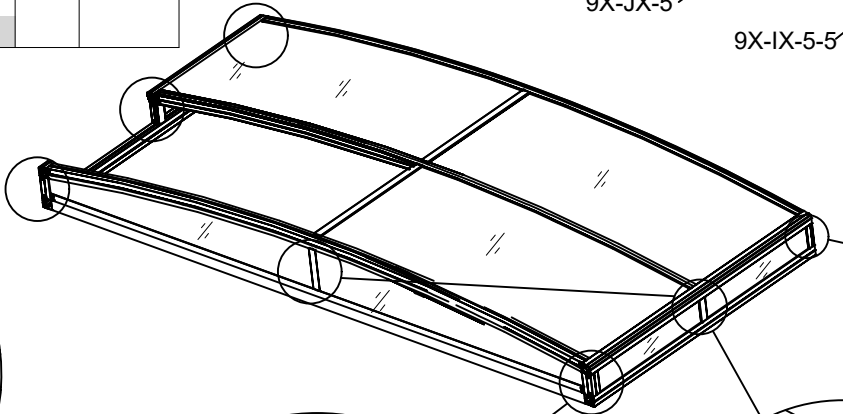
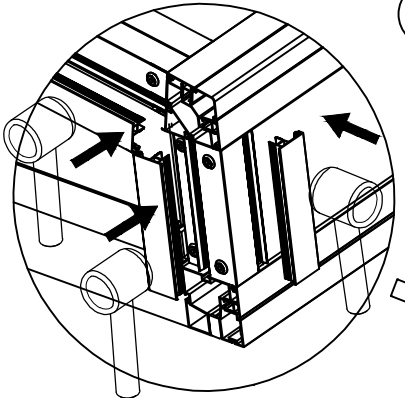
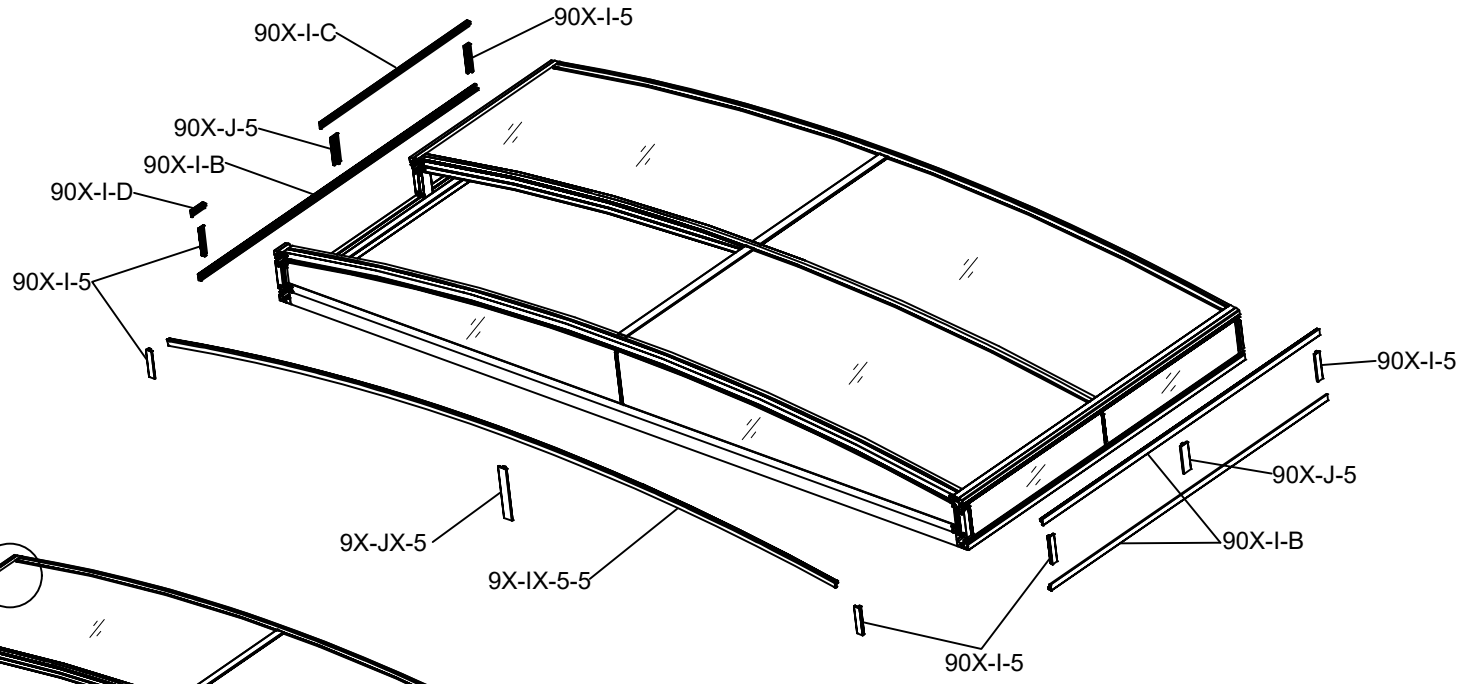
Part	NO.	Length(mm)	QTY.
▼	90X-I-B	2480	1
▼	90X-I-C	1260	1
▼	90X-I-D	80	1








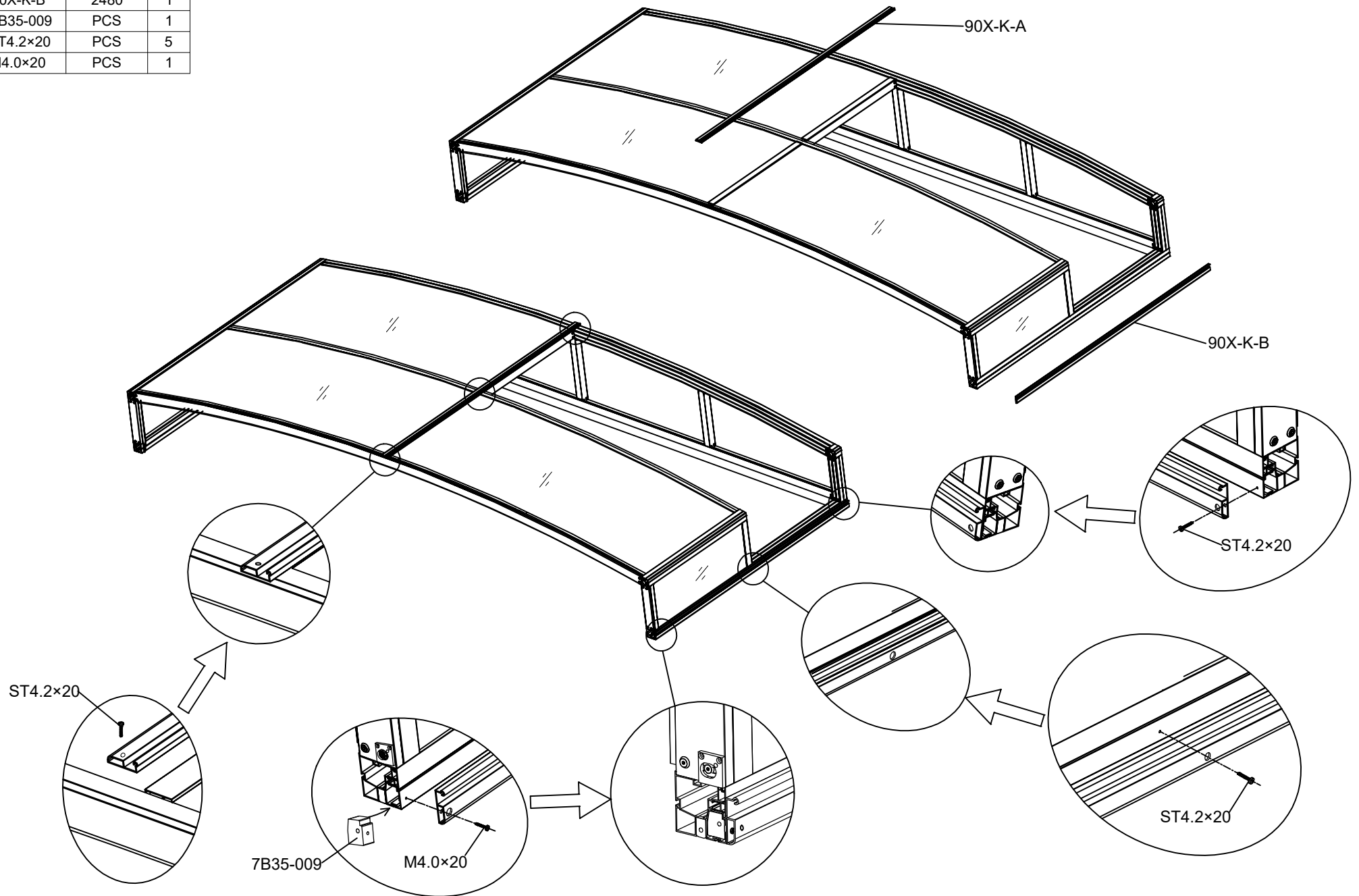
Part	product	NO.	QTY.	code
	SH9002H	1181×555	3	G12
	SH9002H5			
	SH9003H			
	SH9003H5			
	SH9004H			
	SH9004H5			
	SH9005H			
	SH9002H	1423×640	2	G02
	SH9002H5	1673×661		
	SH9003H	1923×683		
	SH9003H5	2173×704		
	SH9004H	2423×724		
	SH9004H5	2673×748		
	SH9005H	2923×769		


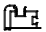
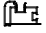
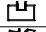






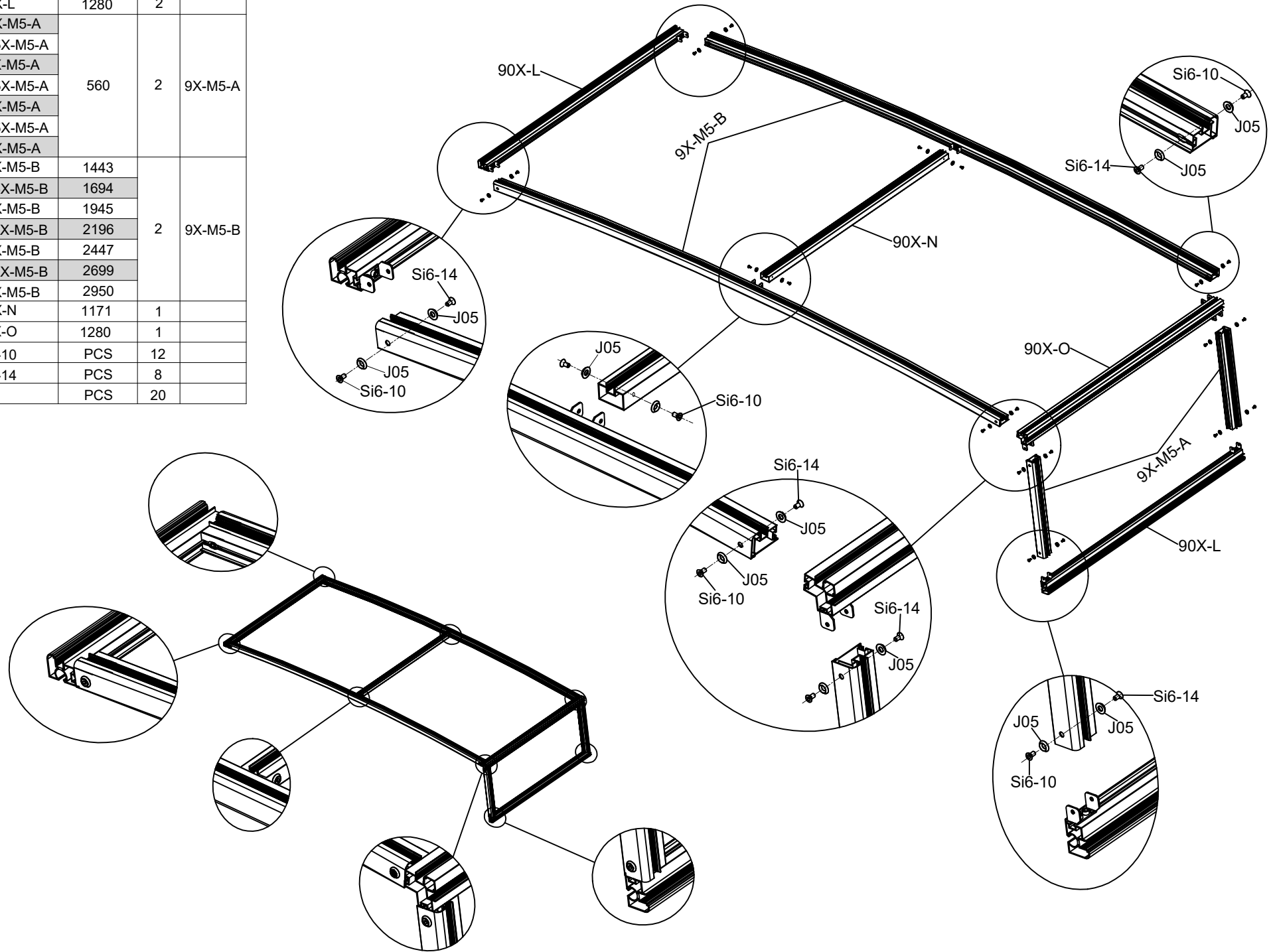
Part	product	NO.	Length(mm)	QTY.	code
H	SH9002H	92X-IX-5-5	2875	1	9X-IX-5-5
	SH9002H5	925X-IX-5-5	3378		
	SH9003H	93X-IX-5-5	3880		
	SH9003H5	935X-IX-5-5	4382		
	SH9004H	94X-IX-5-5	4885		
	SH9004H5	945X-IX-5-5	5387		
	SH9005H	95X-IX-5-5	5890		
H		90X-I-B	2480	3	
H		90X-I-C	1260	1	
H		90X-I-D	80	1	
H		90X-I-5	512	6	
H		90X-J-5	512	2	
H	SH9002H	92X-JX-5	612	1	9X-JX-5
	SH9002H5	925X-JX-5	633		
	SH9003H	93X-JX-5	655		
	SH9003H5	935X-JX-5	676		
	SH9004H	94X-JX-5	698		
	SH9004H5	945X-JX-5	719		
	SH9005H	95X-JX-5	741		



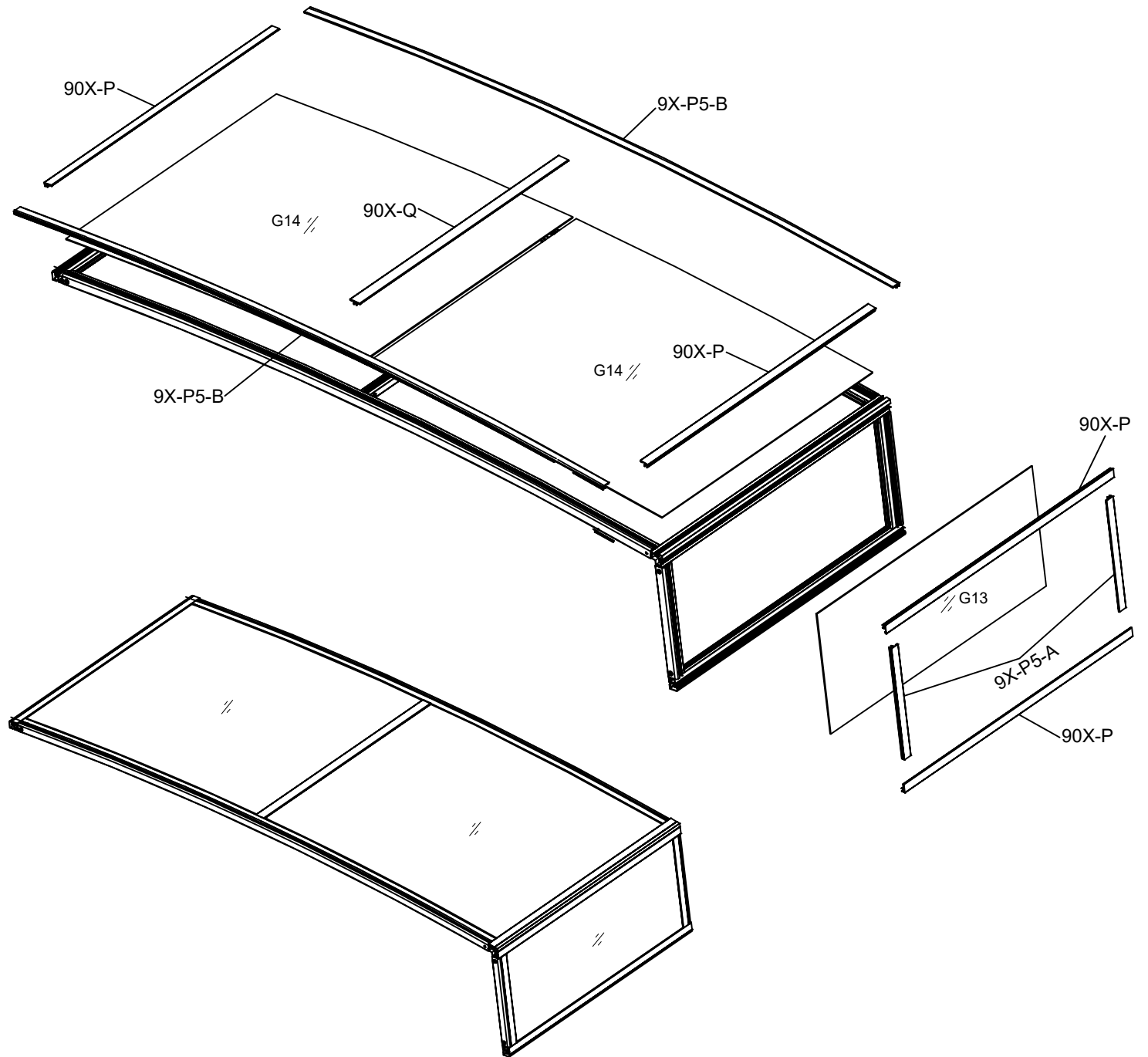
Part	NO.	Length(mm)	QTY.
	90X-K-A	2480	1
	90X-K-B	2480	1
	7B35-009	PCS	1
	ST4.2×20	PCS	5
	M4.0×20	PCS	1






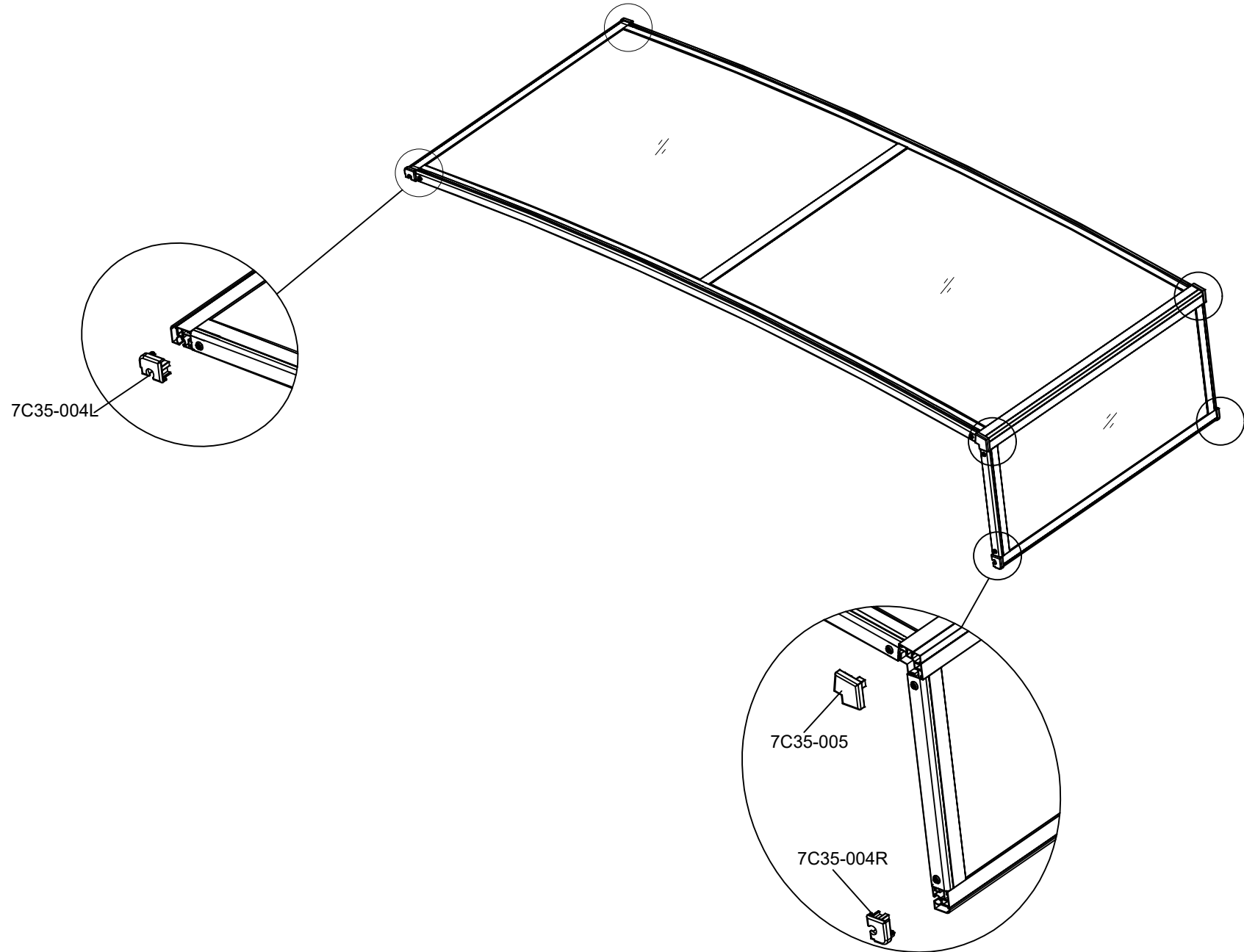
Part	product	NO.	Length(mm)	QTY.	code
		90X-L	1280	2	
	SH9002H	92X-M5-A	560	2	9X-M5-A
	SH9002H5	925X-M5-A			
	SH9003H	93X-M5-A			
	SH9003H5	935X-M5-A			
	SH9004H	94X-M5-A			
	SH9004H5	945X-M5-A			
	SH9005H	95X-M5-A			
	SH9002H	92X-M5-B	1443	2	9X-M5-B
	SH9002H5	925X-M5-B	1694		
	SH9003H	93X-M5-B	1945		
	SH9003H5	935X-M5-B	2196		
	SH9004H	94X-M5-B	2447		
	SH9004H5	945X-M5-B	2699		
	SH9005H	95X-M5-B	2950		
		90X-N	1171	1	
		90X-O	1280	1	
		Si6-10	PCS	12	
		Si6-14	PCS	8	
		J05	PCS	20	







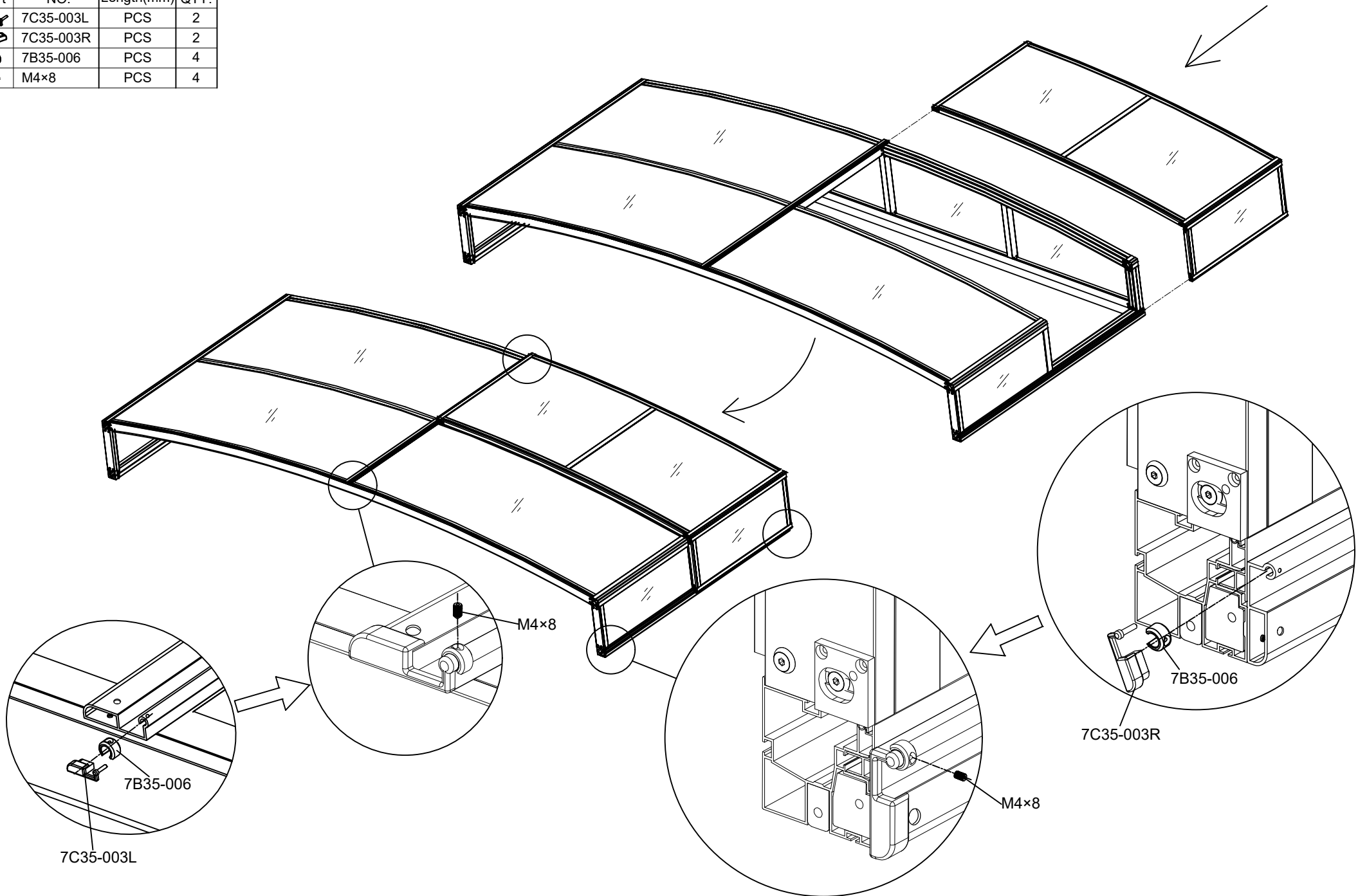
Part	product	NO.	Length(mm)	QTY.	code
▼TT	SH9002H	92X-P5-A	560	2	9X-P5-A
	SH9002H5	925XP5-A			
	SH9003H	93X-P5-A			
	SH9003H5	935X-P5-A			
	SH9004H	94X-P5-A			
	SH9004H5	945X-P5-A			
	SH9005H	95X-P5-A			
▼TT	SH9002H	92X-P5-B	1443	2	9X-P5-B
	SH9002H5	925X-P5-B	1694		
	SH9003H	93X-P5-B	1945		
	SH9003H5	935X-P5-B	2196		
	SH9004H	94X-P5-B	2447		
	SH9004H5	945X-P5-B	2699		
	SH9005H	95X-P5-B	2950		
☐	SH9002H	1208×595		1	G13
	SH9002H5				
	SH9003H				
	SH9003H5				
	SH9004H				
	SH9004H5				
	SH9005H				
☐	SH9002H	1208×730		2	G14
	SH9002H5	1208×855			
	SH9003H	1208×981			
	SH9003H5	1208×1106			
	SH9004H	1208×1232			
	SH9004H5	1208×1358			
	SH9005H	1208×1484			
▼TT		90X-P	1280	4	
▼TT		90X-Q	1171	1	










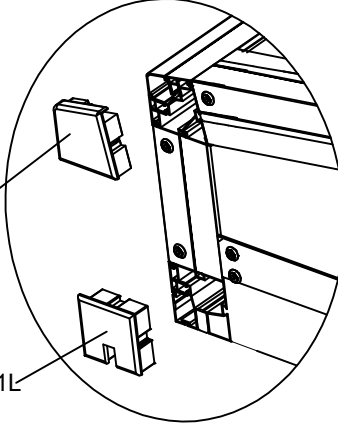
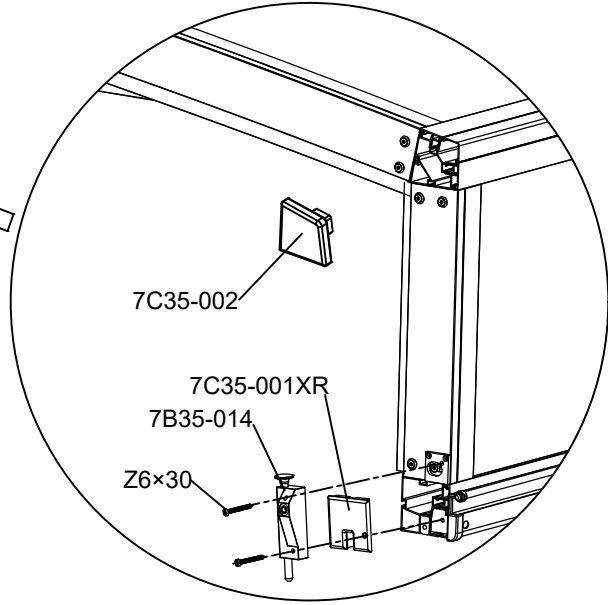
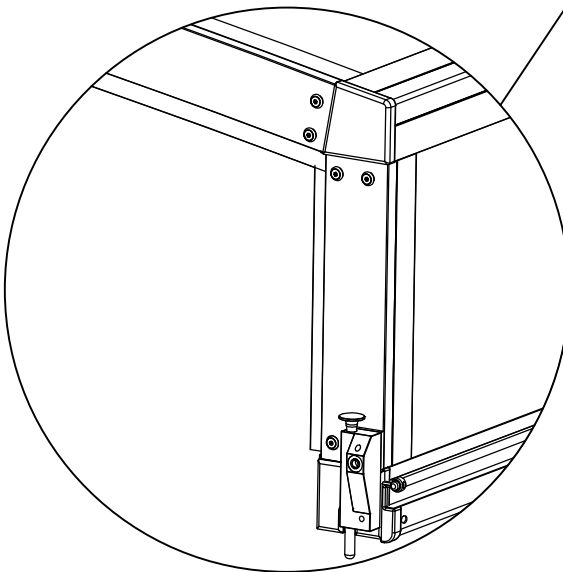
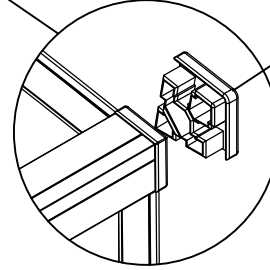
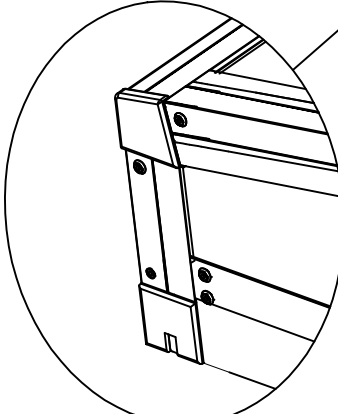
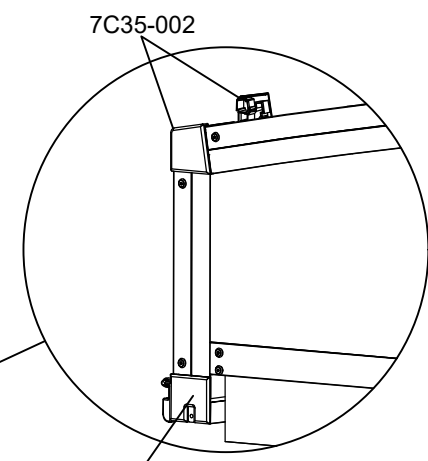
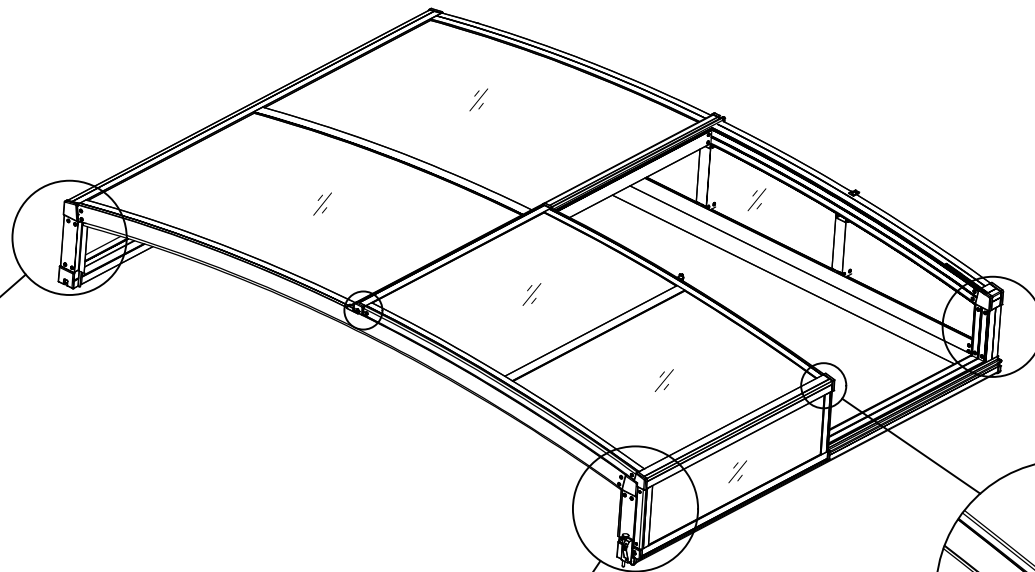
Part	NO.	Length(mm)	QTY.
	7C35-004L	PCS	2
	7C35-004R	PCS	2
	7C35-005	PCS	2






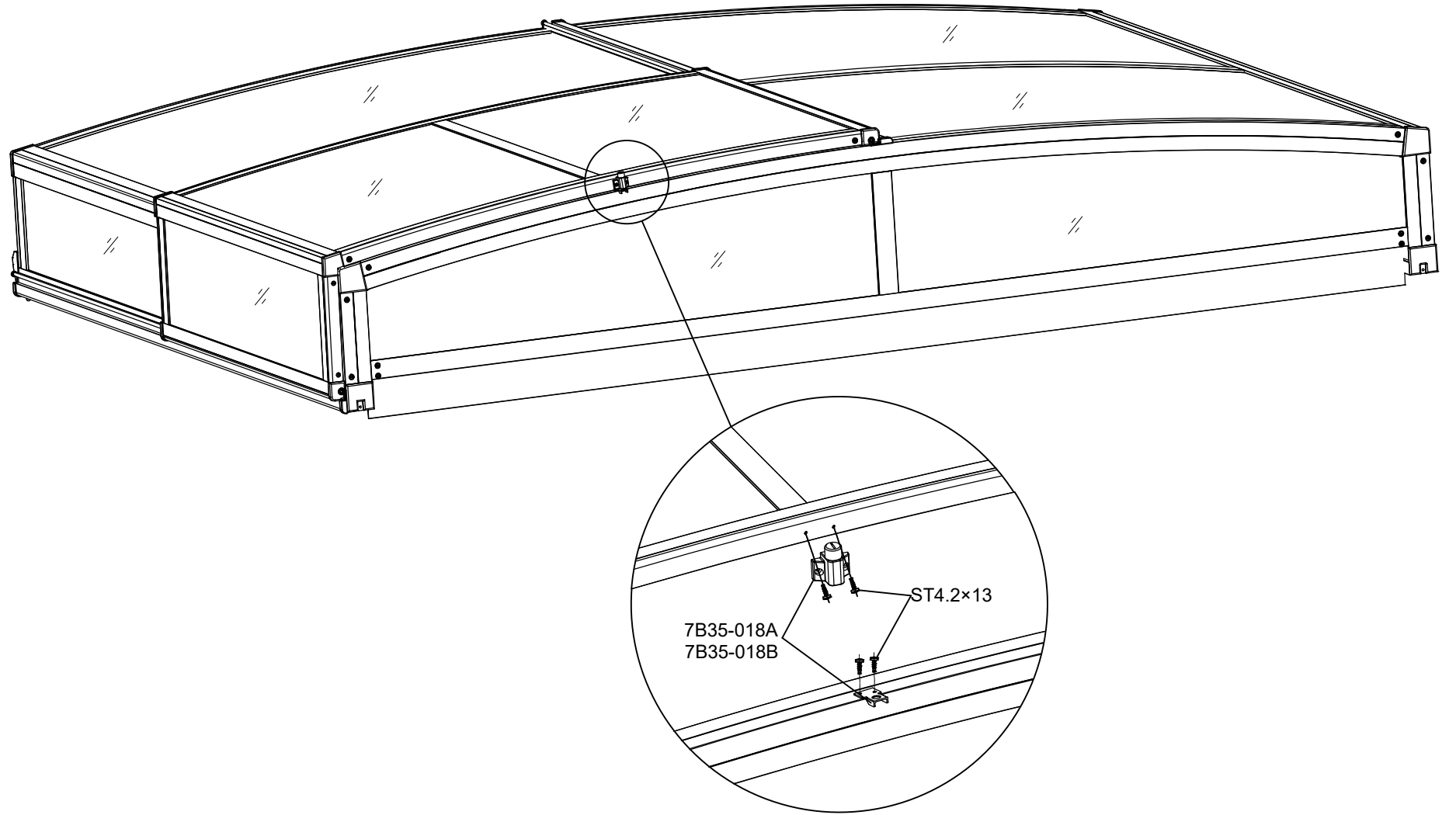
Part	NO.	Length(mm)	QTY.
	7C35-003L	PCS	2
	7C35-003R	PCS	2
	7B35-006	PCS	4
	M4×8	PCS	4

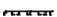
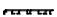

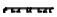
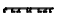
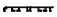
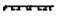




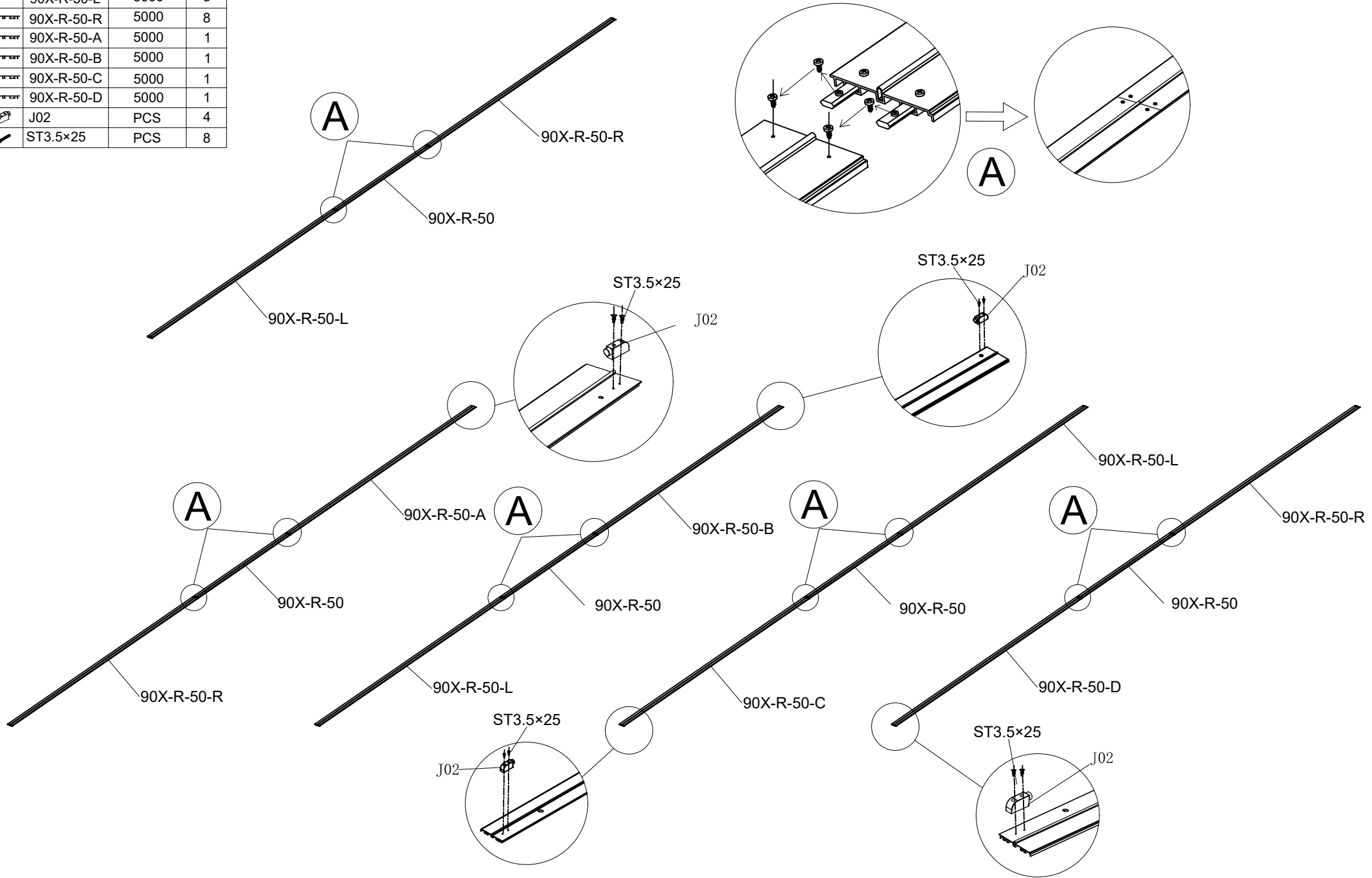
Part	NO.	Length(mm)	QTY.
	7C35-001L	PCS	1
	7C35-001R	PCS	1
	7C35-001XL	PCS	1
	7C35-001XR	PCS	1
	7C35-002	PCS	6
	7B35-014	PCS	1
	Z6x30	PCS	2






Part	NO.	Length(mm)	QTY.
	7B35-018A	PCS	1
	7B35-018B	PCS	1
	ST4.2×13	PCS	4

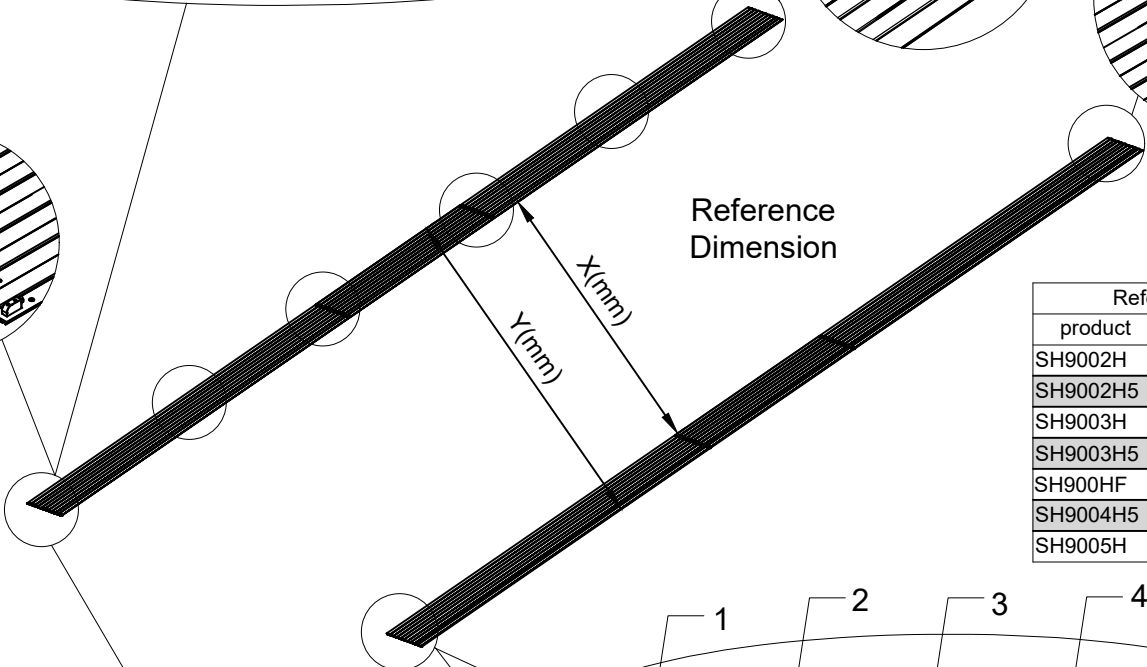
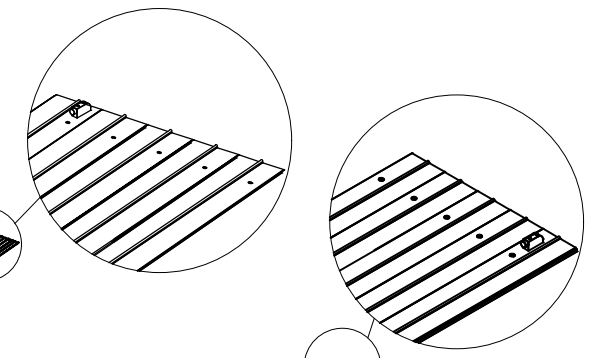
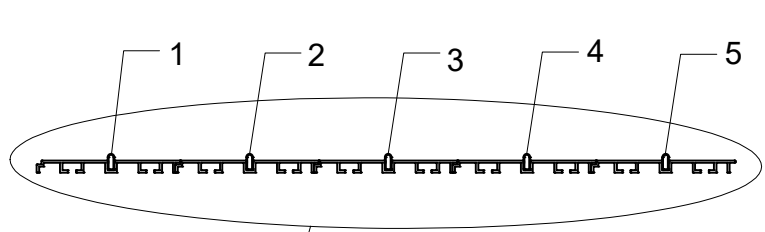
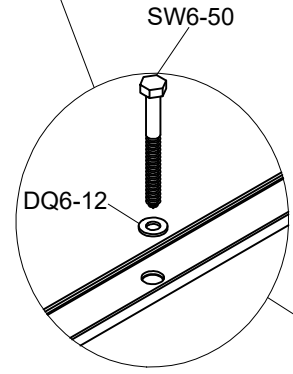
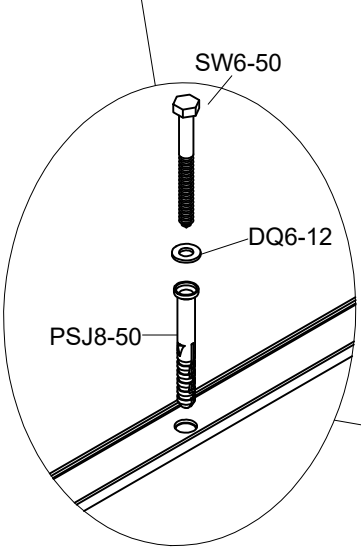
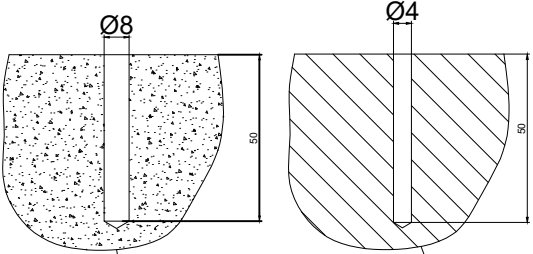


Part	NO.	Length(mm)	QTY.
	90X-R-50	5000	10
	90X-R-50-L	5000	8
	90X-R-50-R	5000	8
	90X-R-50-A	5000	1
	90X-R-50-B	5000	1
	90X-R-50-C	5000	1
	90X-R-50-D	5000	1
	J02	PCS	4
	ST3.5x25	PCS	8

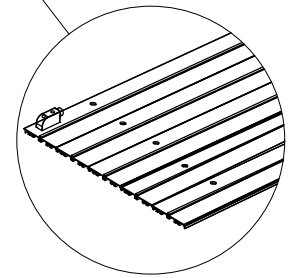
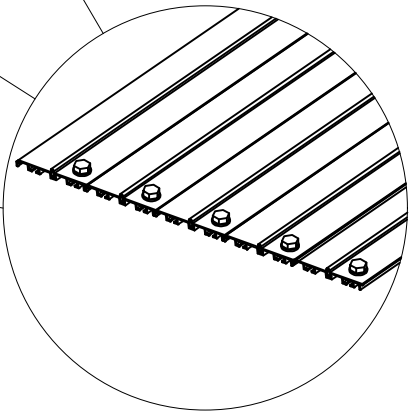
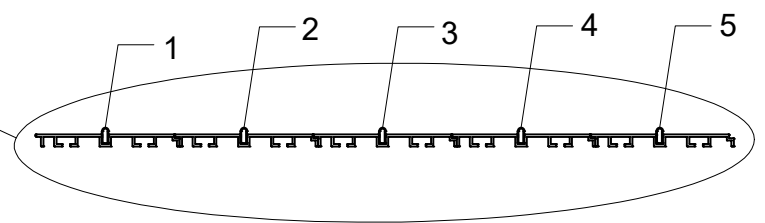


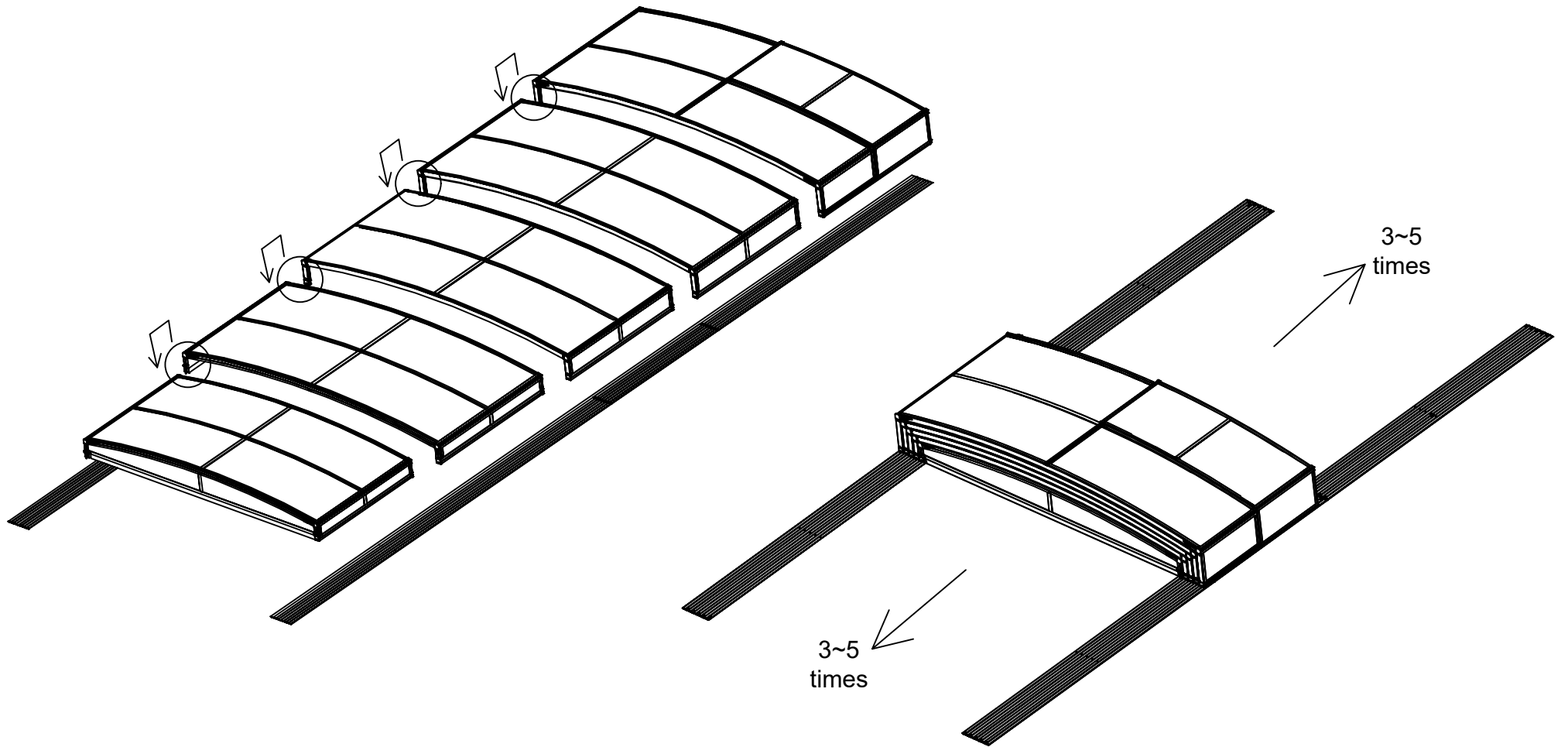
Part	NO.	Length(mm)	QTY.
	PSJ8-50	PCS	30
	DQ6-12	PCS	30
	SW6-50	PCS <td 30	




For concrete or For wood



Reference Dimension		
product	X	Y
SH9002H	2000mm	3020mm
SH9002H5	2500mm	3520mm
SH9003H	3000mm	4020mm
SH9003H5	3500mm	4520mm
SH900HF	4000mm	5020mm
SH9004H5	4500mm	5520mm
SH9005H	5000mm	6020mm



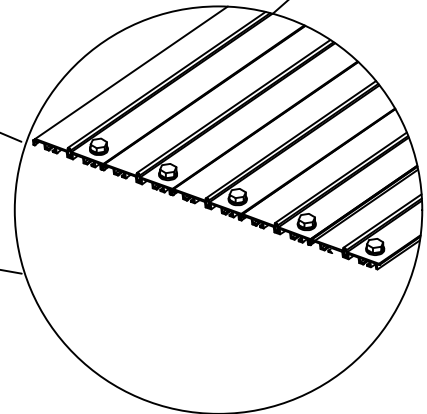
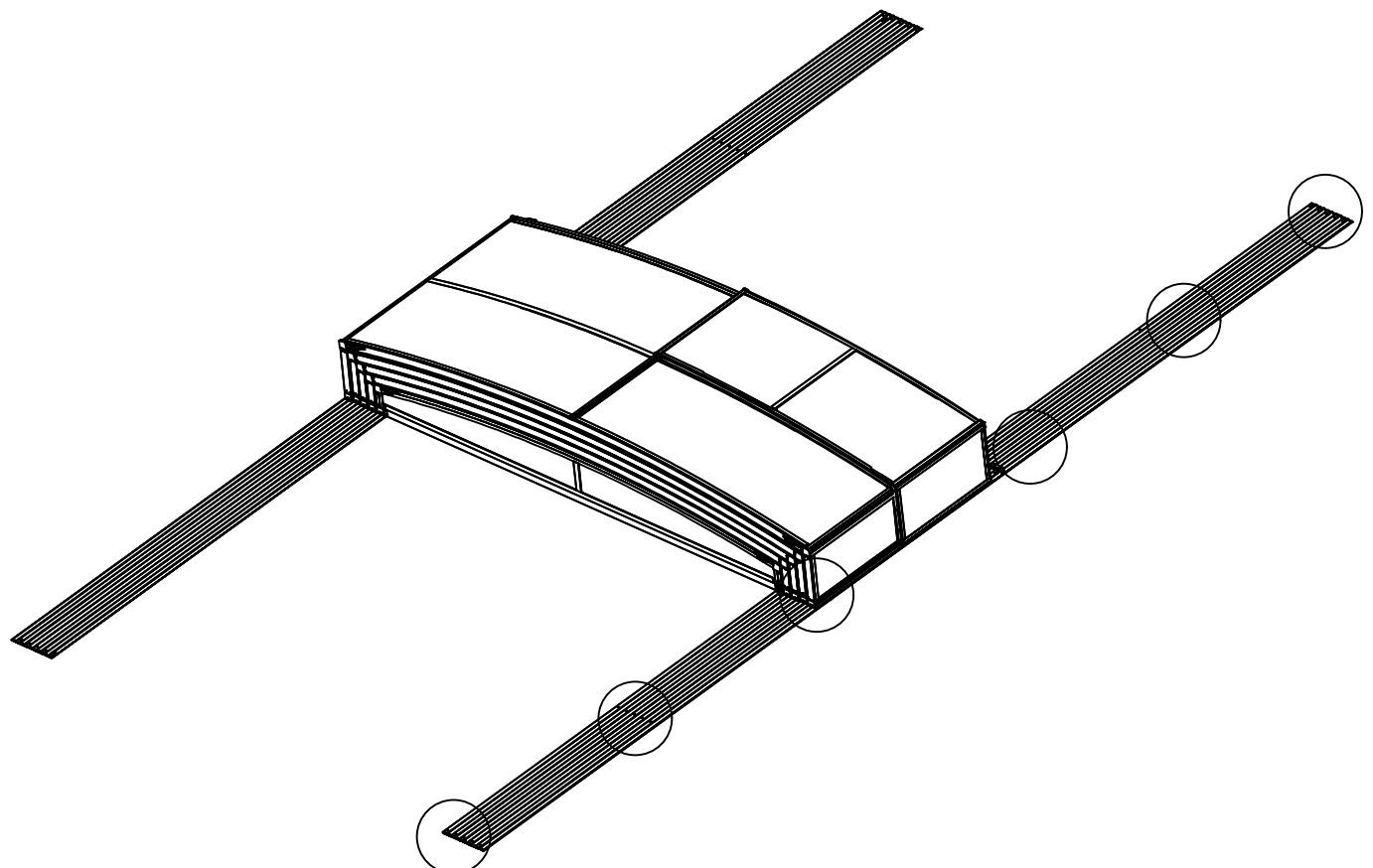
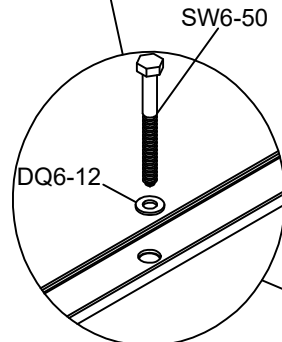
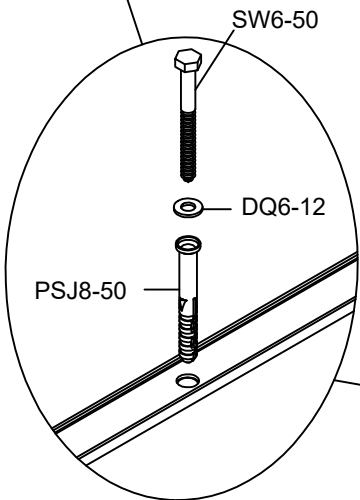
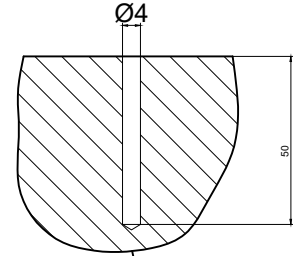
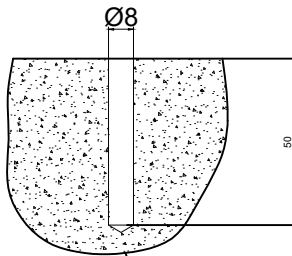




Part	NO.	Length(mm)	QTY.
	PSJ8-50	PCS	30
	DQ6-12	PCS	30
	SW6-50	PCS	30

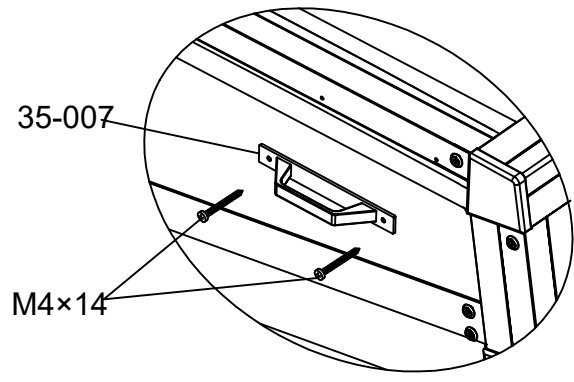
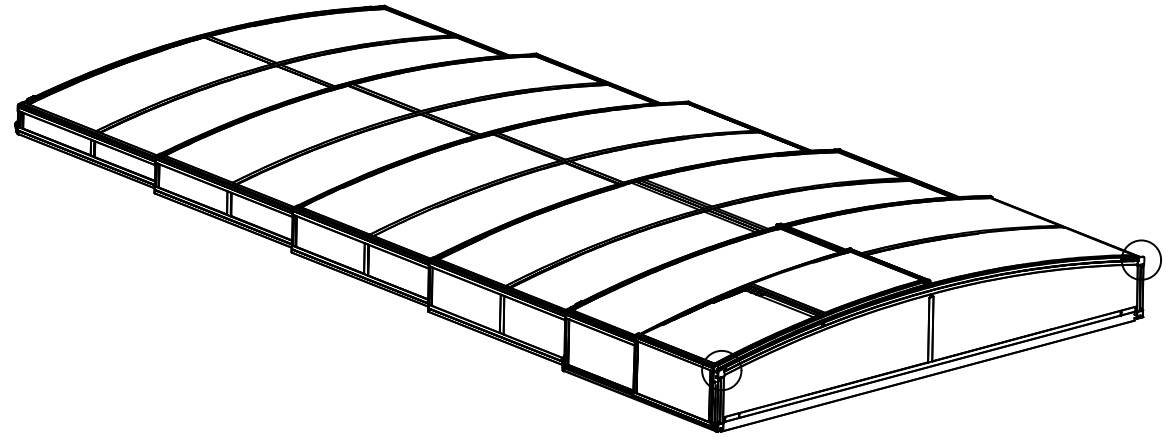
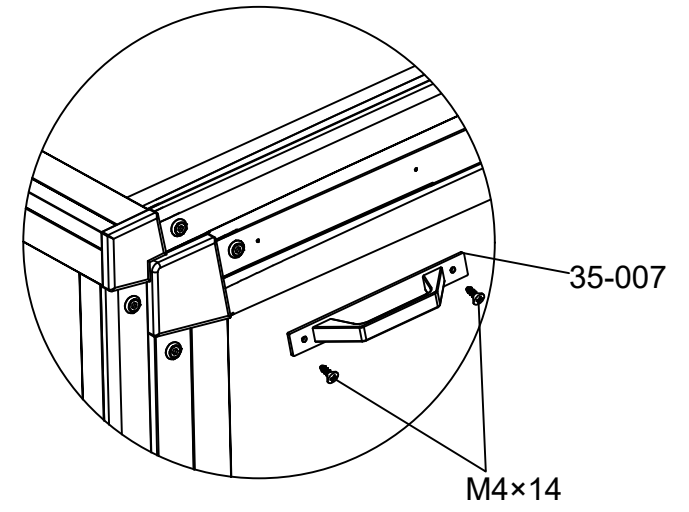
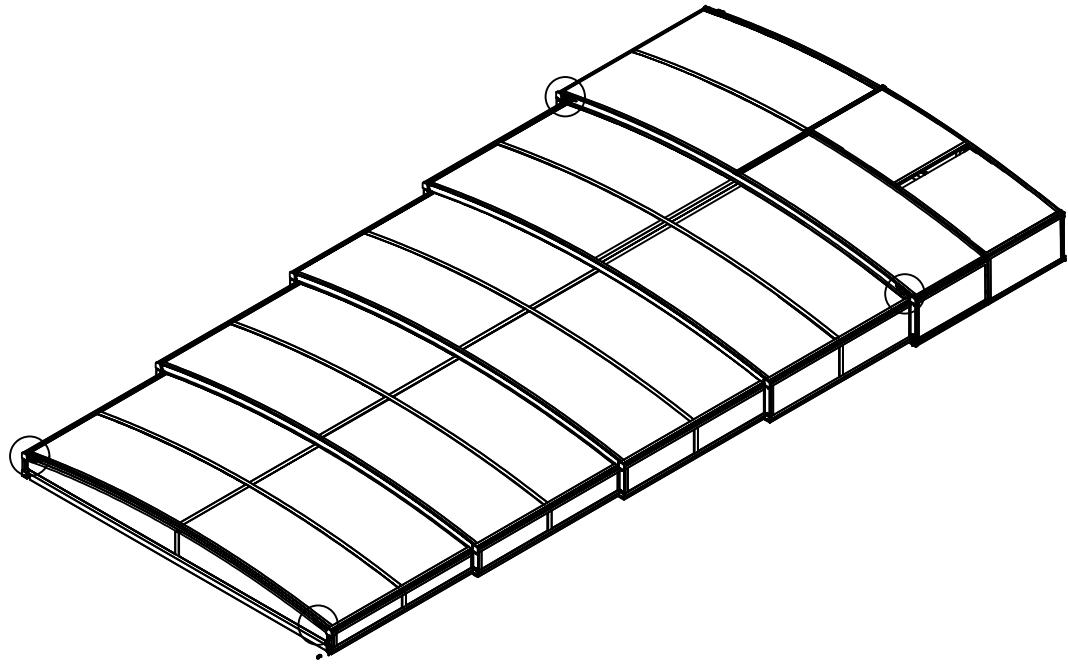
For Concrete

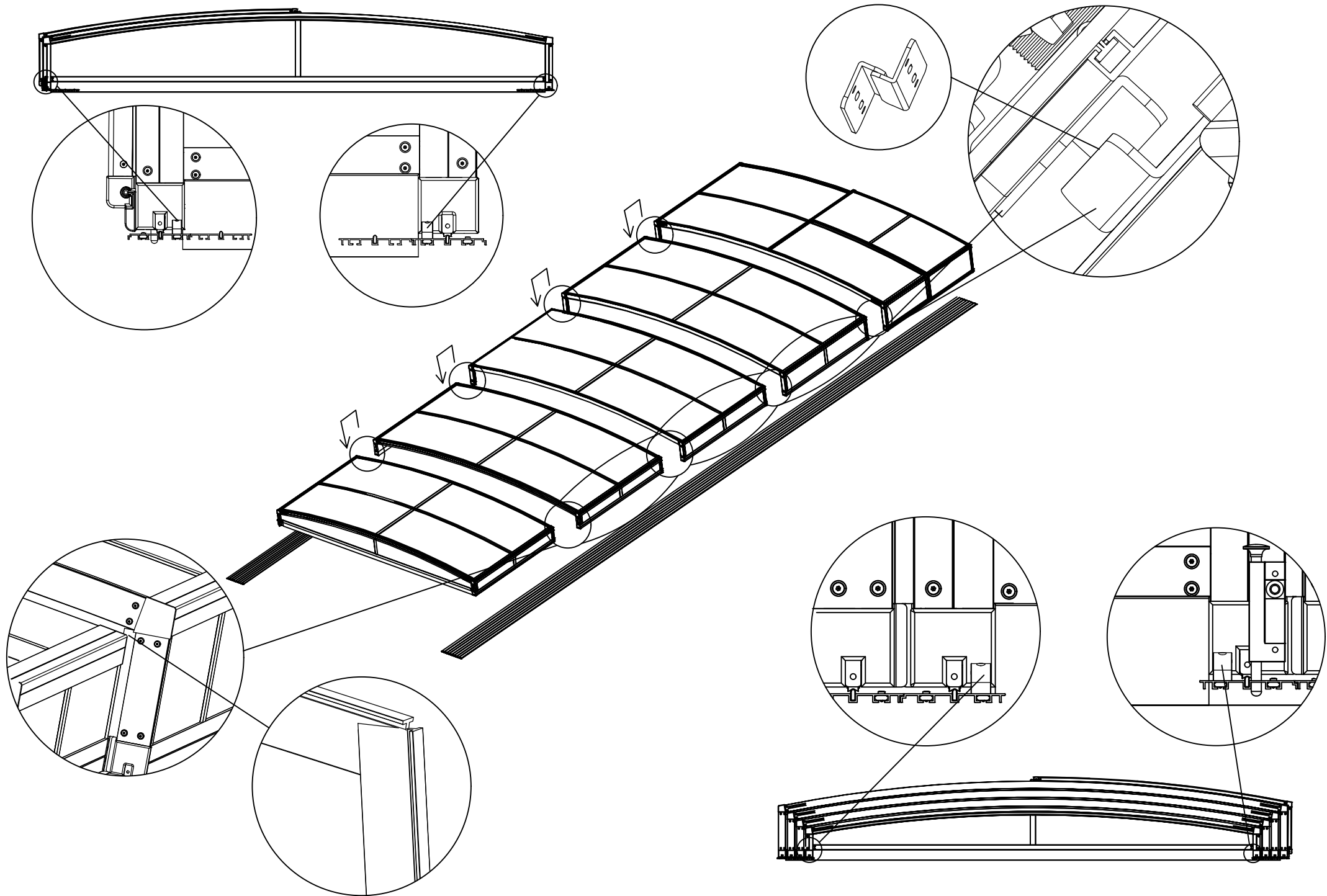
Or

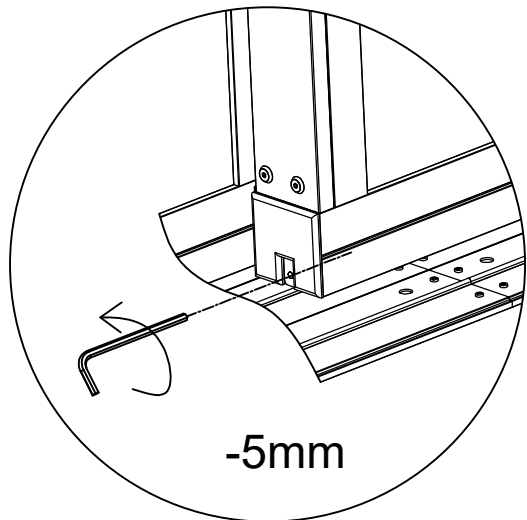
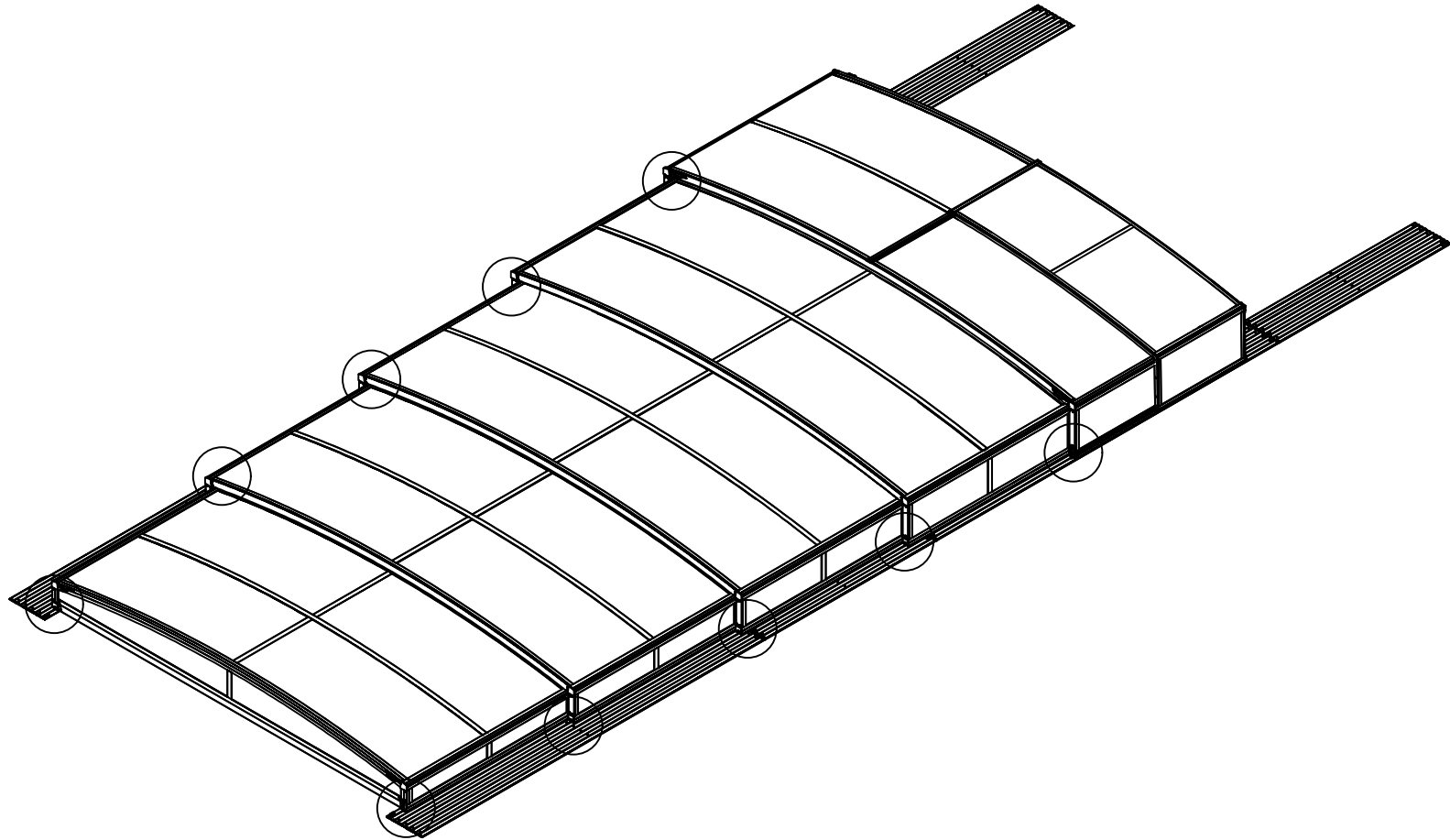
For Wood



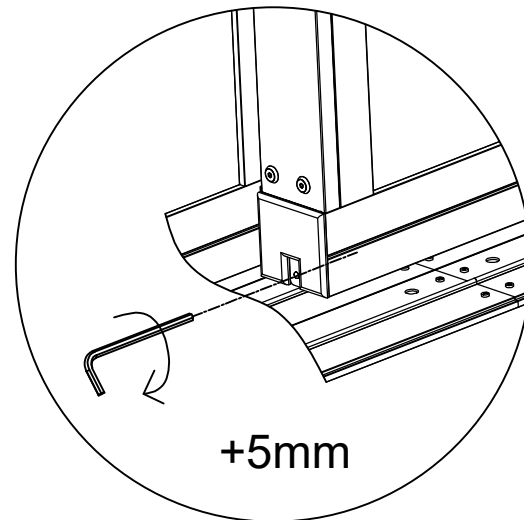
Part	NO.	QTY.	Length(mm)
	7B35-007	6	PCS
	M4×14	12	PCS







-5mm



+5mm

