

SH9002D	SH9002D5	SH9003D	SH9003D5	SH9004D	SH9004D5	SH9005D
716 × 258 × 64cm 700 × 200 × 36cm 1000 × 261cm 1000 × 200cm	716 × 308 × 66cm 700 × 250 × 38cm 1000 × 311cm 1000 × 250cm	716 × 358 × 68cm 700 × 300 × 40cm 1000 × 361cm 1000 × 300cm	716 × 408 × 71cm 700 × 350 × 42cm 1000 × 411cm 1000 × 350cm	716 × 458 × 73cm 700 × 400 × 44cm 1000 × 461cm 1000 × 400cm	716 × 508 × 75cm 700 × 450 × 46cm 1000 × 511cm 1000 × 450cm	716 × 558 × 77cm 700 × 500 × 48cm 1000 × 561cm 1000 × 500cm

Outer Size (L×W×H):  
Inner Size (L×W×H):  
Rail Outer Size (L×W):  
Rail Inner Size (L×W):

Yttere storlek (L×B×H):  
Inre storlek (L×B×H):  
Räls yttre storlek (L×B):  
Räls inre storlek (L×B):

Udvendig størrelse (L×B×H):  
Indvendig størrelse (L×B×H):  
Skinne ydre størrelse (L×B):  
Skinne indre størrelse (L×B):

Ytre størrelse (L×B×H):  
Indre størrelse (L×B×H):  
Skinne ytre størrelse (L×B):  
Skinne indre størrelse (L×B):

Ulompi koko (P×L×K):  
Sisäinen koko (P×L×K):  
Kiskon ulkokoko (P×L):  
Kiskon sisäkoko (P×L):

Please read carefully before assembling  
Two people are needed

Läs noggrant innan montering.  
Det krävs två personer för montering.

Les monteringsanvisningen nøye innen montering.  
Det kreves to personer for montering.

Læs venligst omhyggeligt, før montering.  
Der kræves to personer til montering.

Lue ohjeet huolellisesti läpi ennen asentamista.  
Asentamiseen tarvitaan kaksi henkilöä.

Part	product	NO.	Length(mm)	QTY.	code	Page
	SH9002D	92X-A4-1	2036	1	9X-A4-1	P1
	SH9002D5	925X-A4-1	2538			
	SH9003D	93X-A4-1	3041			
	SH9003D5	935X-A4-1	3543			
	SH9004D	94X-A4-1	4046			
	SH9004D5	945X-A4-1	4548			
	SH9005D	95X-A4-1	5051			
	SH9002D	92X-A4-2	2245	1	9X-A4-2	P11
	SH9002D5	925X-A4-2	2747			
	SH9003D	93X-A4-2	3250			
	SH9003D5	935X-A4-2	3752			
	SH9004D	94X-A4-2	4255			
	SH9002D	92X-A4-2X	2245	1	9X-A4-2X	P11
	SH9002D5	925X-A4-2X	2747			
	SH9003D	93X-A4-2X	3250			
	SH9003D5	935X-A4-2X	3752			
	SH9004D	94X-A4-2X	4255			
	SH9004D5	945X-A4-2X	4758			
	SH9005D	95X-A4-2X	5260			
	SH9002D	92X-A4-3X	2455	1	9X-A4-3X	P20
	SH9002D5	925X-A4-3X	2957			
	SH9003D	93X-A4-3X	3460			
	SH9003D5	935X-A4-3X	3962			
	SH9004D	94X-A4-3X	4465			
	SH9004D5	945X-A4-3X	4967			
	SH9005D	95X-A4-3X	5470			
		90X-A-1	180	2		P2
		90X-A-2	265	2		P12
		90X-A-2X	265	2		P12
		90X-A-3X	349	1		P21
		90X-A-3S	349	1		P21
	SH9002D	92X-B4-1	2036	1	9X-B4-1	P1
	SH9002D5	925X-B4-1	2538			
	SH9003D	93X-B4-1	3041			
	SH9003D5	935X-B4-1	3543			
	SH9004D	94X-B4-1	4046			
	SH9004D5	945X-B4-1	4548			
	SH9005D	95X-B4-1	5051			
	SH9002D	92X-B4-2	2245	1	9X-B4-2	P11
	SH9002D5	925X-B4-2	2747			
	SH9003D	93X-B4-2	3250			
	SH9003D5	935X-B4-2	3752			
	SH9004D	94X-B4-2	4255			
	SH9004D5	945X-B4-2	4758			
	SH9005D	95X-B4-2	5260			


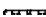
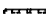
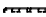
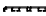

























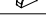













Part	product	NO.	Length(mm)	QTY.	code	Page
	SH9002D	92X-B4-3	2455	1	9X-B4-3	P20
	SH9002D5	925X-B4-3	2957			
	SH9003D	93X-B4-3	3460			
	SH9003D5	935X-B4-3	3962			
	SH9004D	94X-B4-3	4465			
	SH9004D5	945X-B4-3	4967			
	SH9005D	95X-B4-3	5470			
		90X-B-1	180	2		P2
		90X-B-2	265	2		P12
		90X-B-3	349	2		P21
	SH9002D	92X-C4-1	2036	1	9X-C4-1	P1
	SH9002D5	925X-C4-1	2538			
	SH9003D	93X-C4-1	3041			
	SH9003D5	935X-C4-1	3543			
	SH9004D	94X-C4-1	4046			
	SH9002D	92X-C4-3	2665	1	9X-C4-3	P20
	SH9002D5	925X-C4-3	3167			
	SH9003D	93X-C4-3	3670			
	SH9003D5	935X-C4-3	4172			
	SH9004D	94X-C4-3	4675			
		90X-C4-1-L	180	1		P2
		90X-C4-1-R	180	1		P2
		90X-C4-3-L	349	1		P21
		90X-C4-3-R	349	1		P21
		90X-D-A	1099	2		P1
		90X-D-B	1110	2		P11
		90X-D-C	1140	2		P20
	SH9002D	92X-DX-1	200	1	9X-DX-1	P4
	SH9002D5	925X-DX-1	222			
	SH9003D	93X-DX-1	244			
	SH9003D5	935X-DX-1	266			
	SH9004D	94X-DX-1	288			
	SH9004D5	945X-DX-1	310			
	SH9005D	95X-DX-1	331			
	SH9002D	92X-DX-3	406	1	9X-DX-3	P23
	SH9002D5	925X-DX-3	428			
	SH9003D	93X-DX-3	450			
	SH9003D5	935X-DX-3	472			
	SH9004D	94X-DX-3	493			
	SH9004D5	945X-DX-3	515			
	SH9005D	95X-DX-3	537			

Part	product	NO.	Length(mm)	QTY.	code	Page
		90X-E-A	1099	4		P1
		90X-E-B	1110	4		P11
		90X-E-C	1140	3		P20
	SH9002D	92X-E-1-L	183	1	9X-E-1-L	P4
	SH9002D5	925X-E-1-L	199			
	SH9003D	93X-E-1-L	215			
	SH9003D5	935X-E-1-L	232			
	SH9004D	94X-E-1-L	248			
	SH9002D	92X-E-1-R	183	1	9X-E-1-R	P4
	SH9002D5	925X-E-1-R	199			
	SH9003D	93X-E-1-R	215			
	SH9003D5	935X-E-1-R	232			
	SH9004D	94X-E-1-R	248			
	SH9002D	92X-E-3-L	379	1	9X-E-3-L	P23
	SH9002D5	925X-E-3-L	396			
	SH9003D	93X-E-3-L	412			
	SH9003D5	935X-E-3-L	437			
	SH9004D	94X-E-3-L	445			
	SH9002D	92X-E-3-R	379	1	9X-E-3-R	P23
	SH9002D5	925X-E-3-R	396			
	SH9003D	93X-E-3-R	412			
	SH9003D5	935X-E-3-R	437			
	SH9004D	94X-E-3-R	445			
		90X-F-A-L	2400	1		P2
		90X-F-A-R	2400	1		P2
		90X-F	2400	2		P12
		90X-F-B	2480	1		P21
		90X-F-C	1260	1		P21
		90X-F-D	80	1		P21
		90X-G-A-L	2400	1		P2
		90X-G-A-R	2400	1		P2
		90X-G-B-L	2400	1		P12
		90X-G-B-R	2400	1		P12
		90X-G-C-L	2480	1		P21
		90X-G-C-R	2480	1		P21

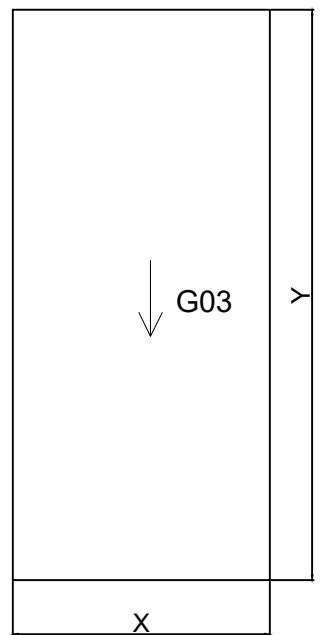
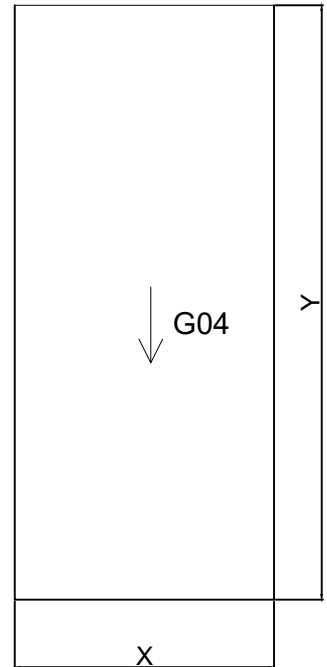
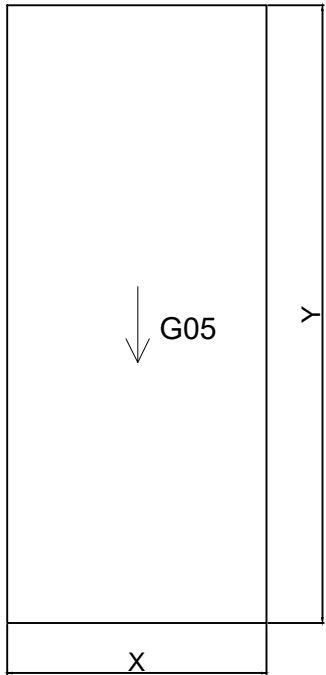
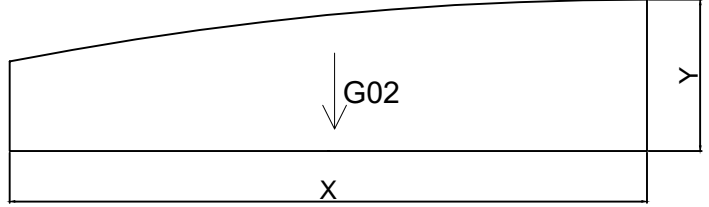
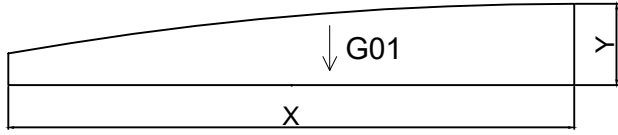
Part	product	NO.	Length(mm)	QTY.	code	Page
□	SH9002D	90X-H2	2003	1	9X-HX	P4
	SH9002D5	90X-H25	2503			
	SH9003D	90X-H3	3003			
	SH9003D5	90X-H35	3503			
	SH9004D	90X-H4	4003			
	SH9004D5	90X-H45	4503			
	SH9005D	90X-H5	5003			
□	SH9002D	90X-H2-3	2416	1	9X-HX-3	P23
	SH9002D5	90X-H25-3	2916			
	SH9003D	90X-H3-3	3416			
	SH9003D5	90X-H35-3	3916			
	SH9004D	90X-H4-3	4416			
	SH9004D5	90X-H45-3	4916			
■	SH9002D	92X-I4-1	2036	2	9X-I4-1	P6
	SH9002D5	925X-I4-1	2538			
	SH9003D	93X-I4-1	3041			
	SH9003D5	935X-I4-1	3543			
	SH9004D	94X-I4-1	4046			
	SH9004D5	945X-I4-1	4548			
	SH9005D	95X-I4-1	5051			
■	SH9002D	92X-I4-2	2245	2	9X-I4-2	P15
	SH9002D5	925X-I4-2	2747			
	SH9003D	93X-I4-2	3250			
	SH9003D5	935X-I4-2	3752			
	SH9004D	94X-I4-2	4255			
	SH9004D5	945X-I4-2	4758			
■	SH9002D	92X-I4-3	2455	2	9X-I4-3	P25
	SH9002D5	925X-I4-3	2957			
	SH9003D	93X-I4-3	3460			
	SH9003D5	935X-I4-3	3962			
	SH9004D	94X-I4-3	4465			
	SH9004D5	945X-I4-3	4967			
■	SH9002D	92X-IX-4-1	2020	1	9X-IX-4-1	P9
	SH9002D5	925X-IX-4-1	2523			
	SH9003D	93X-IX-4-1	3026			
	SH9003D5	935X-IX-4-1	3528			
	SH9004D	94X-IX-4-1	4031			
	SH9004D5	945X-IX-4-1	4534			
	SH9005D	95X-IX-4-1	5036			
■	SH9002D	92X-IX-4-3	2442	1	9X-IX-4-3	P28
	SH9002D5	925X-IX-4-3	2945			
	SH9003D	93X-IX-4-3	3447			
	SH9003D5	935X-IX-4-3	3949			
	SH9004D	94X-IX-4-3	4452			

Part	product	NO.	Length(mm)	QTY.	code	Page
	SH9004D5	945X-IX-4-3	4954	12	P9-18	
	SH9005D	95X-IX-4-3	5457			
■		90X-I	2400	4	P26	
■		90X-I-B	2480	2	P26	
■		90X-I-C	1260	2	P26	
■		90X-I-D	80	6	P9	
■		90X-I-1	180	4	P18	
■		90X-I-2	265	4	P28	
■		90X-I-3	349			
■	SH9002D	92X-J4-1	2036	1	9X-J4-1	P6
	SH9002D5	925X-J4-1	2538			
	SH9003D	93X-J4-1	3041			
	SH9003D5	935X-J4-1	3543			
	SH9004D	94X-J4-1	4046			
	SH9004D5	945X-J4-1	4548			
■	SH9002D	92X-J4-2	2245	1	9X-J4-2	P15
	SH9002D5	925X-J4-2	2747			
	SH9003D	93X-J4-2	3250			
	SH9003D5	935X-J4-2	3752			
	SH9004D	94X-J4-2	4255			
	SH9004D5	945X-J4-2	4758			
■	SH9002D	92X-J4-3	2455	1	9X-J4-3	P25
	SH9002D5	925X-J4-3	2957			
	SH9003D	93X-J4-3	3460			
	SH9003D5	935X-J4-3	3962			
	SH9004D	94X-J4-3	4465			
	SH9004D5	945X-J4-3	4967			
■		90X-J-A	1099	2	P6	
■		90X-J-B	1110	2	P15	
■		90X-J-C	1140	2	P25	
■		90X-J-1	180	2	P9	
■		90X-J-2	265	2	P18	
■		90X-J-3	349	2	P28	
■	SH9002D	92X-JX-1	200	1	9X-JX-1	P9
	SH9002D5	925X-JX-1	222			
	SH9003D	93X-JX-1	244			
	SH9003D5	935X-JX-1	266			
	SH9004D	94X-JX-1	288			
	SH9004D5	945X-JX-1	310			
■	SH9002D	92X-JX-3	406	1	9X-JX-3	P23
	SH9002D5	925X-JX-3	428			
	SH9003D	93X-JX-3	450			
	SH9003D5	935X-JX-3	472			

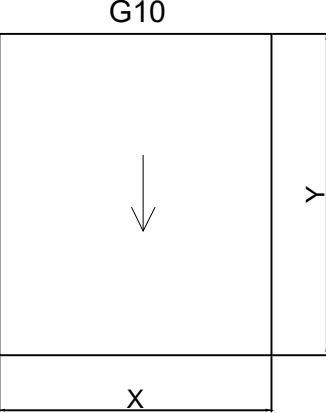
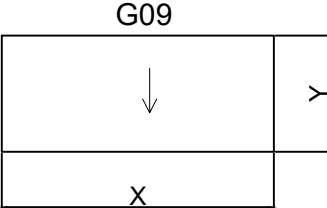
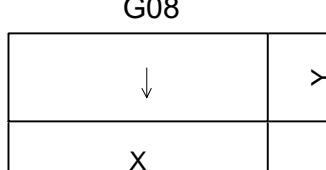
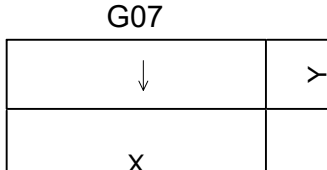
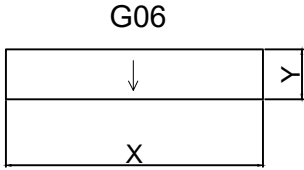
Part	product	NO.	Length(mm)	QTY.	code	Page
	SH9004D	94X-JX-3	493	1	P29	
	SH9004D5	945X-JX-3	515			
	SH9005D	95X-JX-3	537			
□		90X-K-A	2480	1	P29	
□		90X-K-B	2480	1	P29	
□		90X-L	1280	2	P30	
□	SH9002D	92X-M3-A	396	2	9X-M3-A	P30
	SH9002D5	925X-M3-A				
	SH9003D	93X-M3-A				
	SH9003D5	935X-M3-A				
	SH9004D	94X-M3-A				
	SH9004D5	945X-M3-A				
□	SH9002D	92X-M3-B	1233	2	9X-M3-B	P30
	SH9002D5	925X-M3-B	1484			
	SH9003D	93X-M3-B	1735			
	SH9003D5	935X-M3-B	1986			
	SH9004D	94X-M3-B	2238			
	SH9004D5	945X-M3-B	2489			
	SH9005D	95X-M3-B	2740			
□		90X-N	1171	1	P30	
□		90X-O	1280	1	P30	
■	SH9002D	92X-P3-A	396	2	9X-P3-A	P31
	SH9002D5	925XP3-A				
	SH9003D	93X-P3-A				
	SH9003D5	935X-P3-A				
	SH9004D	94X-P3-A				
	SH9004D5	945X-P3-A				
■	SH9002D	92X-P3-B	1233	2	9X-P3-B	P31
	SH9002D5	925X-P3-B	1484			
	SH9003D	93X-P3-B	1735			
	SH9003D5	935X-P3-B	1986			
	SH9004D	94X-P3-B	2238			
■		90X-P	1280	4	P31	
■		90X-Q	1171	1	P31	

Part	product	NO.	Length(mm)	QTY.	code	Page
		90X-R-50-L	5000	4		P36
		90X-R-50-R	5000	4		P36
		90X-R-50-A	5000	1		P36
		90X-R-50-B	5000	1		P36
		90X-R-50-C	5000	1		P36
		90X-R-50-D	5000	1		P36
		7C35-001L	PCS	5		P10-34
		7C35-001R	PCS	4		P10-34
		7C35-001XL	PCS	1		P34
		7C35-001XR	PCS	2		P10-34
		7C35-002	PCS	14		P10-34
		7C35-003L	PCS	2		P33
		7C35-003R	PCS	2		P33
		7C35-004L	PCS	2		P32
		7C35-004R	PCS	2		P32
		7C35-005	PCS	2		P32
		7B35-006	PCS	4		P33
		M4-8	PCS	4		P33
		7B35-007	PCS	6		P40
		M4-14	PCS	12		P40
		7B35-009	PCS	1		P29
		M4.0-20	PCS	1		P29
		7B35-012	PCS	8		P9-21
		ST4.2-13	PCS	32		P9-21
		7B35-014	PCS	2		P10-34
		Z6-30	PCS	4		P10-34
		ST4.2-20	PCS	5		P29
		7B35-018A	PCS	1		P35
		7B35-018B	PCS	1		P35
		ST4.2-13	PCS	4		P35
		J02	PCS	4		P36
		ST3.5-25	PCS	8		P36
		PSJ8-50	PCS	36		P46
		DQ6-12	PCS	36		P37-39
		SW6-50	PCS	36		P37-39
		Si6-10	PCS	428		P1-30
		Si6-14	PCS	8		P30
		J05	PCS	436		P1-30
		TOOLS	PCS	1		
			PCS	1		
			PCS	1		
			PCS	2		
			PCS	1		
			PCS	1		

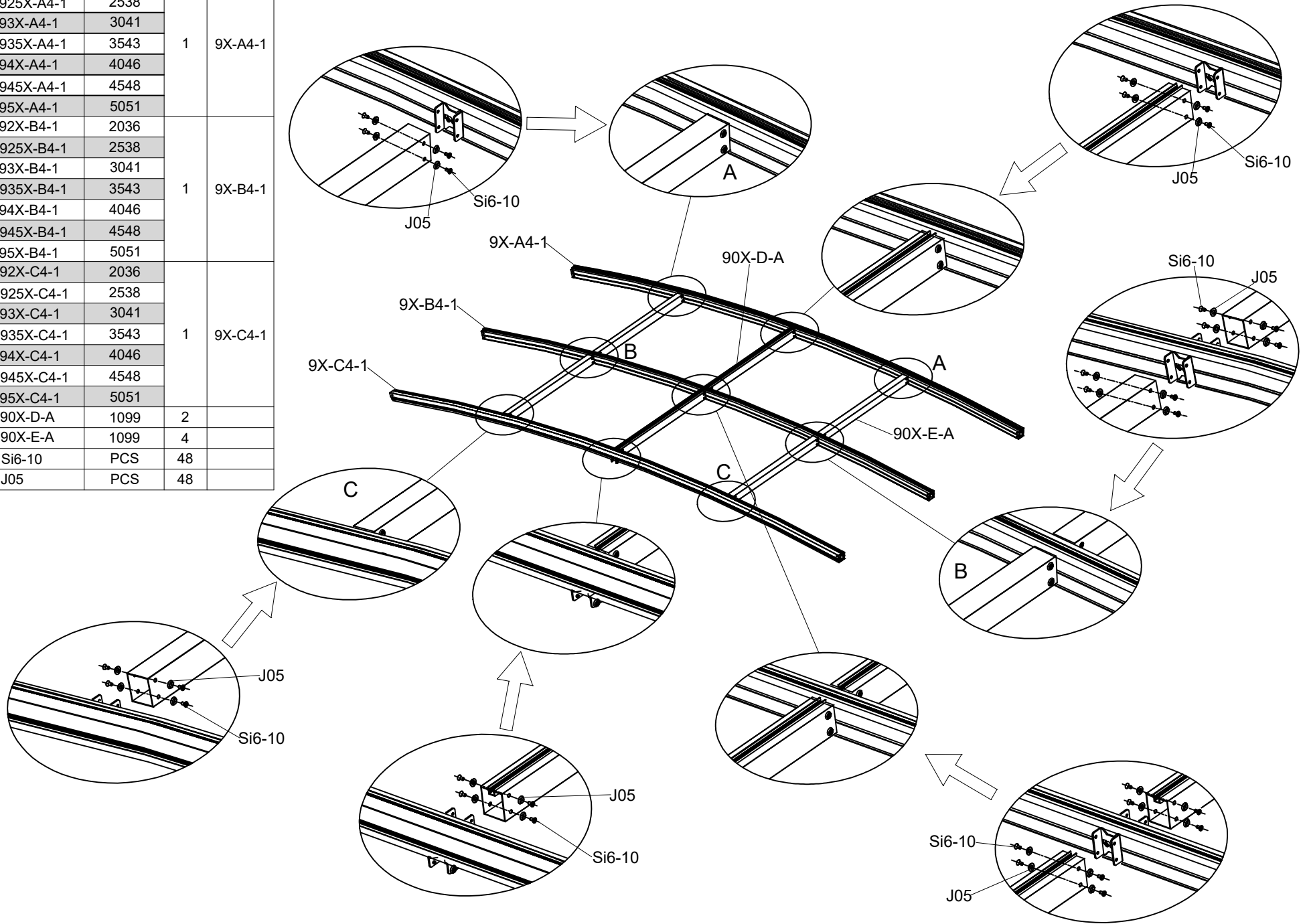
Part	product	NO.	QTY.	code	Page
/	SH9002D	1010×228	2	G01	P8
	SH9002D5	1260×250			
	SH9003D	1510×272			
	SH9003D5	1760×293			
	SH9004D	2010×315			
	SH9004D5	2260×337			
	SH9005D	2510×359			
/	SH9002D	1216×433	2	G02	P27
	SH9002D5	1466×455			
	SH9003D	1717×477			
	SH9003D5	1966×499			
	SH9004D	2216×520			
	SH9004D5	2467×542			
	SH9005D	2716×564			
/	SH9002D	1141×1029	4	G03	P5
	SH9002D5	1141×1280			
	SH9003D	1141×1531			
	SH9003D5	1141×1783			
	SH9004D	1141×2034			
	SH9004D5	1141×2285			
	SH9005D	1141×2536			
/	SH9002D	1151×1133	4	G04	P14
	SH9002D5	1151×1385			
	SH9003D	1151×1638			
	SH9003D5	1151×1887			
	SH9004D	1151×2138			
	SH9004D5	1151×2390			
	SH9005D	1151×2641			
/	SH9002D	1151×1238	3	G05	P24
	SH9002D5	1151×1491			
	SH9003D	1151×1741			
	SH9003D5	1151×1992			
	SH9004D	1151×2243			
	SH9004D5	1151×2495			
	SH9005D	1151×2746			

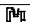



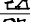
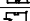






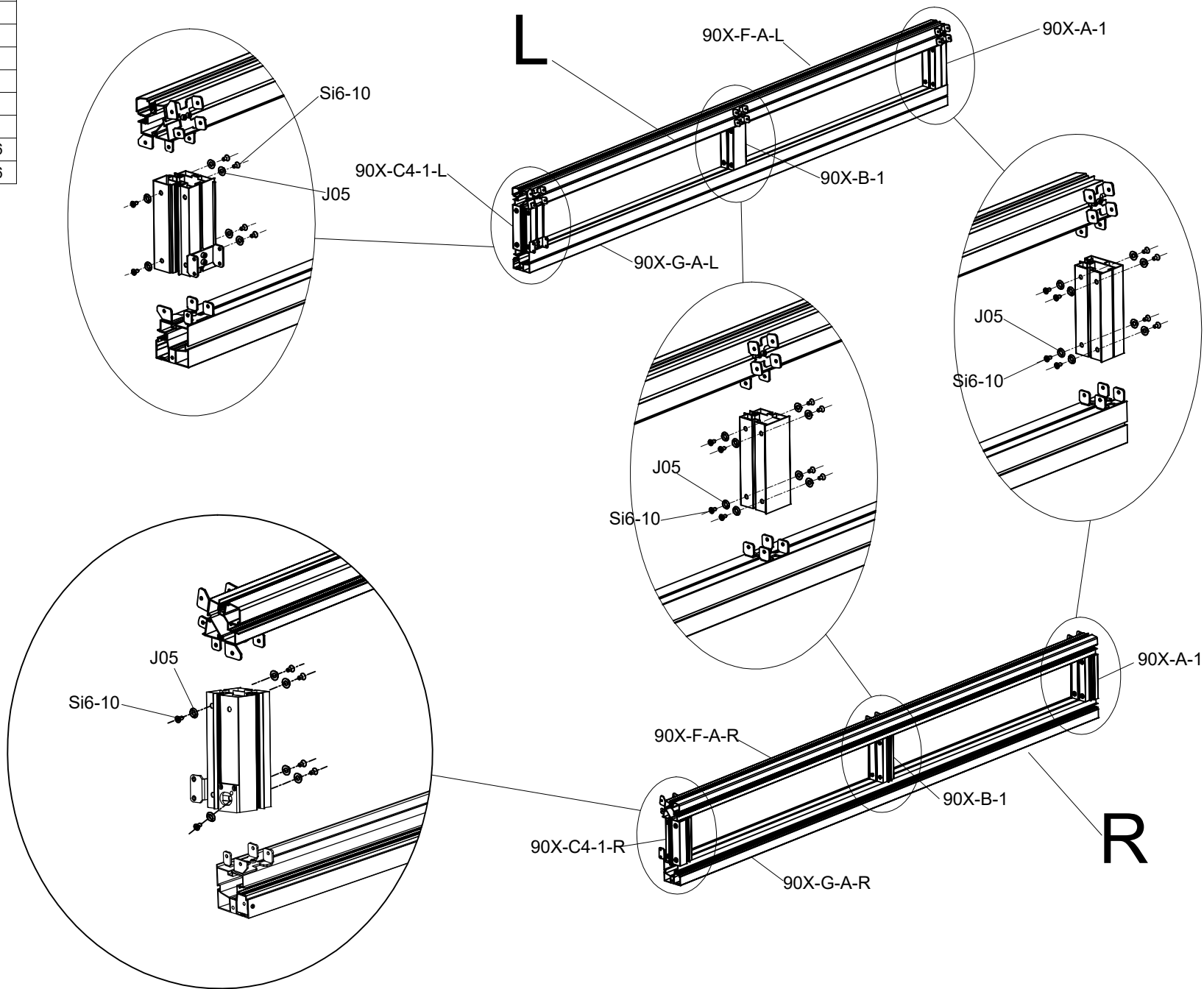
Part	product	NO.	QTY.	code	Page
/	SH9002D	1141×221	4	G06	P8
	SH9002D5				
	SH9003D				
	SH9003D5				
	SH9004D				
	SH9004D5				
	SH9005D				
/	SH9002D	1151×306	4	G07	P17
	SH9002D5				
	SH9003D				
	SH9003D5				
	SH9004D				
	SH9004D5				
	SH9005D				
/	SH9002D	1181×390	3	G08	P27
	SH9002D5				
	SH9003D				
	SH9003D5				
	SH9004D				
	SH9004D5				
	SH9005D				
/	SH9002D	1208×428	1	G09	P20
	SH9002D5				
	SH9003D				
	SH9003D5				
	SH9004D				
	SH9004D5				
	SH9005D				
/	SH9002D	1208×625	2	G10	P31
	SH9002D5	1208×750			
	SH9003D	1208×876			
	SH9003D5	1208×1002			
	SH9004D	1208×1127			
	SH9004D5	1208×1253			
	SH9005D	1208×1378			







Part	product	NO.	Length(mm)	QTY.	code
M	SH9002D	92X-A4-1	2036	1	9X-A4-1
	SH9002D5	925X-A4-1	2538		
	SH9003D	93X-A4-1	3041		
	SH9003D5	935X-A4-1	3543		
	SH9004D	94X-A4-1	4046		
	SH9004D5	945X-A4-1	4548		
	SH9005D	95X-A4-1	5051		
M	SH9002D	92X-B4-1	2036	1	9X-B4-1
	SH9002D5	925X-B4-1	2538		
	SH9003D	93X-B4-1	3041		
	SH9003D5	935X-B4-1	3543		
	SH9004D	94X-B4-1	4046		
	SH9004D5	945X-B4-1	4548		
	SH9005D	95X-B4-1	5051		
M	SH9002D	92X-C4-1	2036	1	9X-C4-1
	SH9002D5	925X-C4-1	2538		
	SH9003D	93X-C4-1	3041		
	SH9003D5	935X-C4-1	3543		
	SH9004D	94X-C4-1	4046		
	SH9004D5	945X-C4-1	4548		
	SH9005D	95X-C4-1	5051		
		90X-D-A	1099	2	
		90X-E-A	1099	4	
		Si6-10	PCS	48	
		J05	PCS	48	

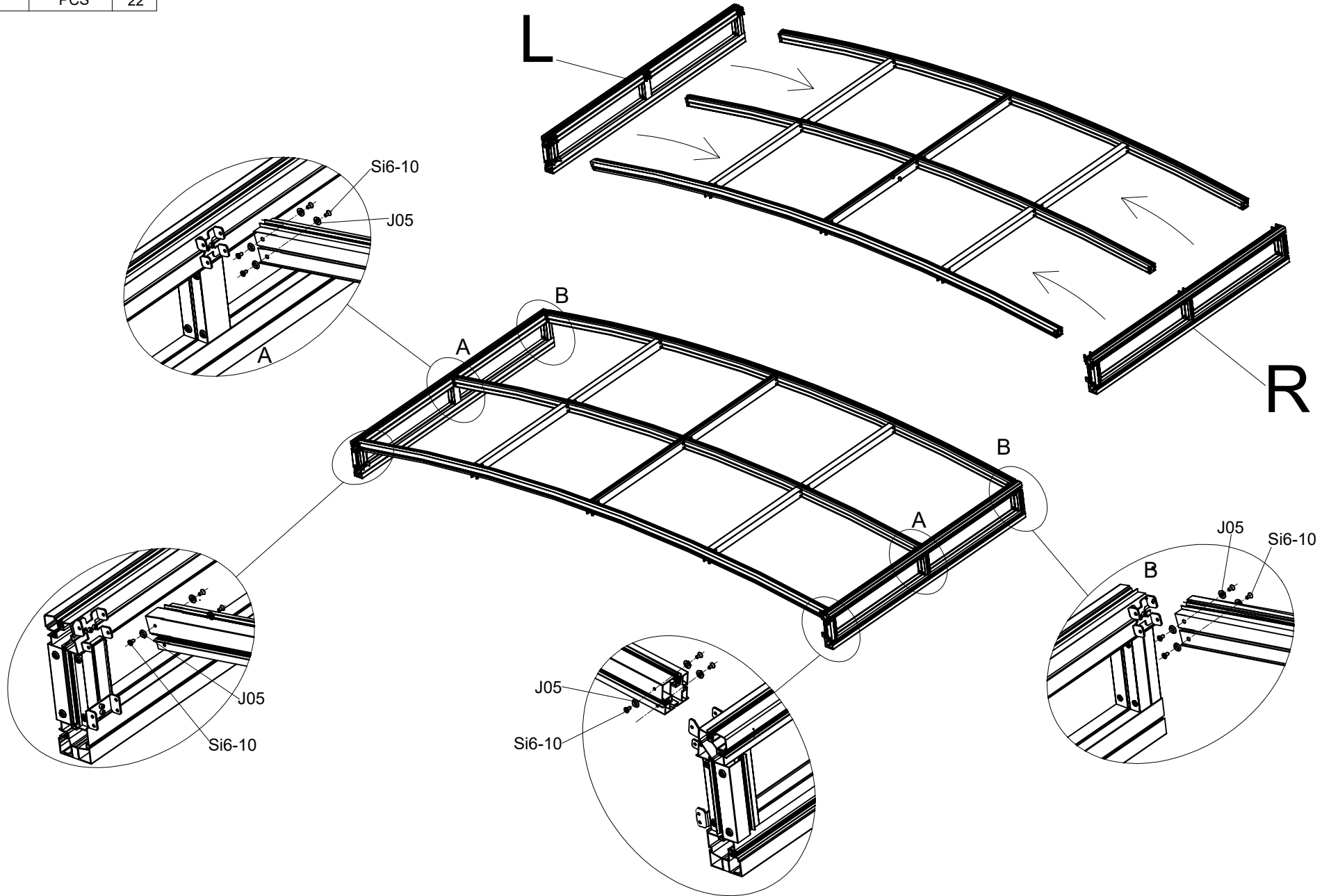


Part	NO.	Length(mm)	QTY.
	90X-A-1	180	2
	90X-B-1	180	2
	90X-C4-1-L	180	1
	90X-C4-1-R	180	1
	90X-F-A-L	2400	1
	90X-F-A-R	2400	1
	90X-G-A-L	2400	1
	90X-G-A-R	2400	1
	Si6-10	PCS	46
	J05	PCS	46

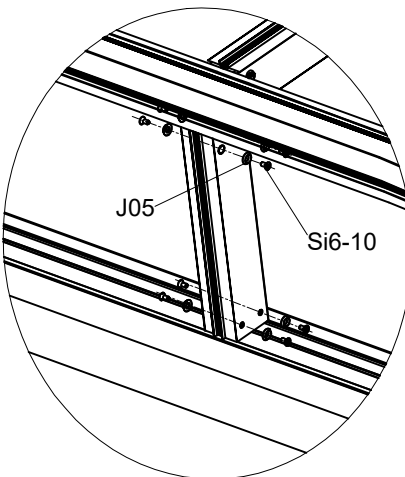
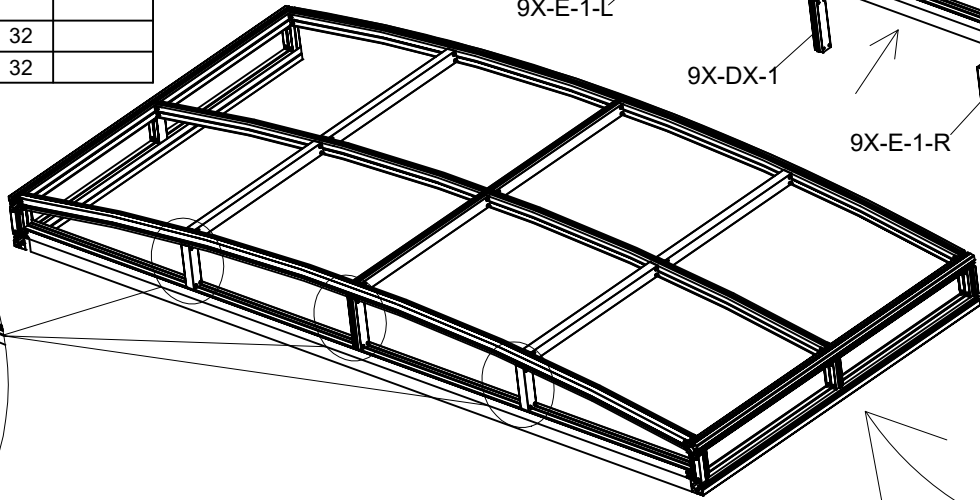
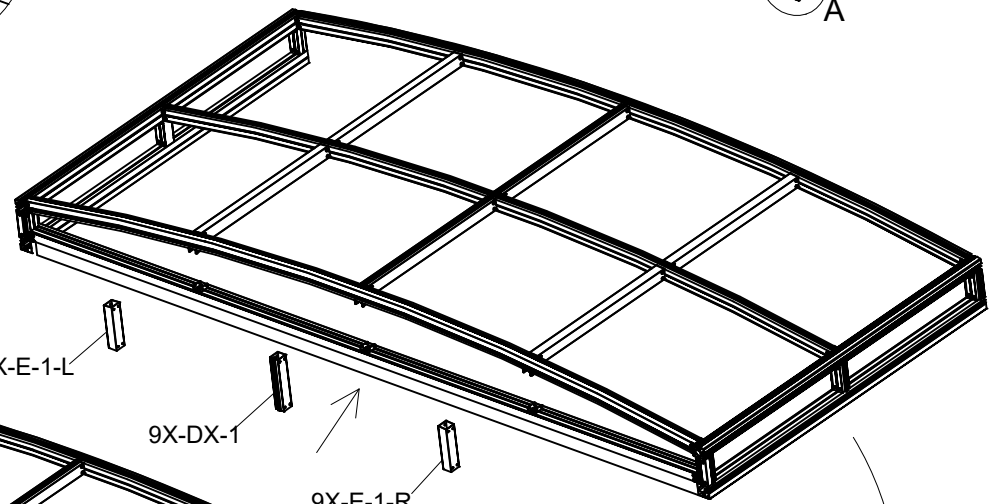
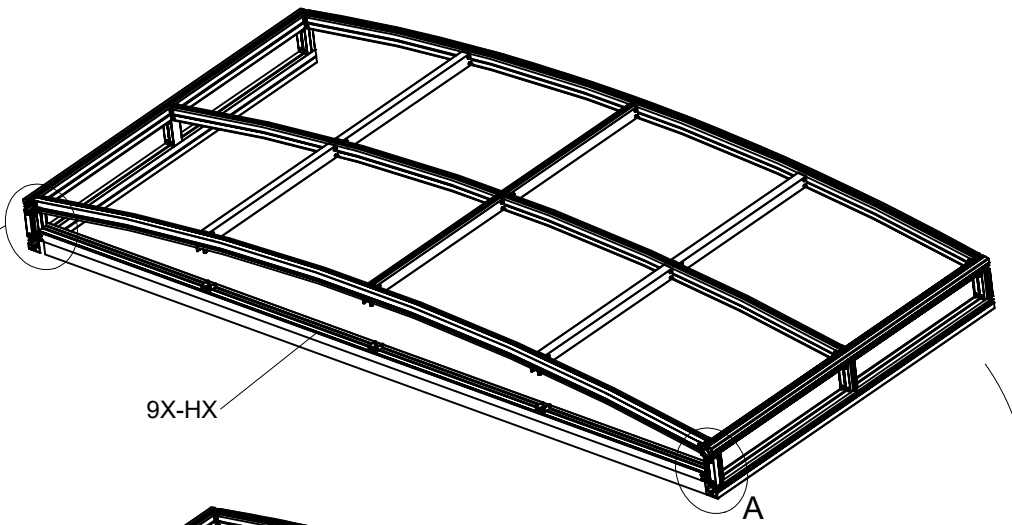
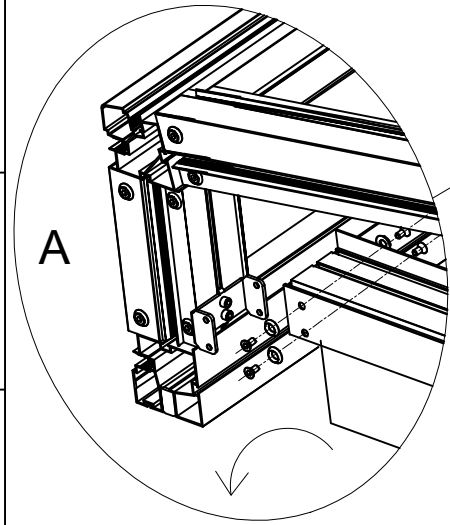





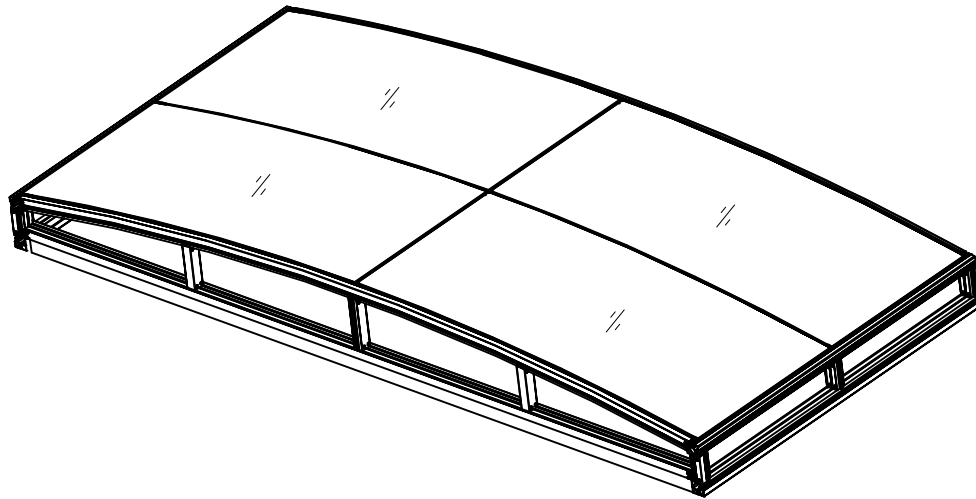
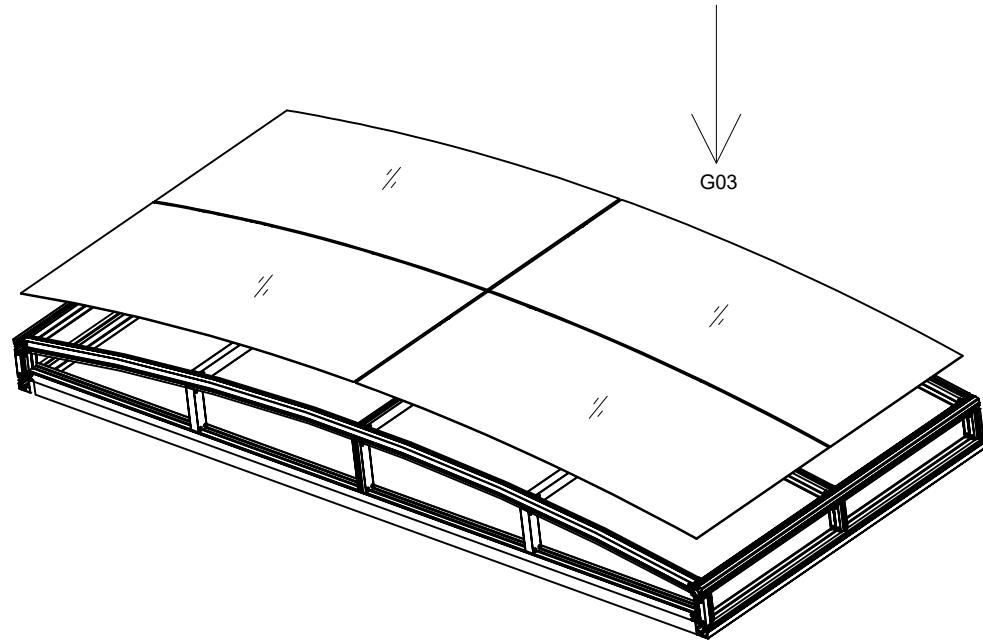
Part	NO.	Length(mm)	QTY.
	Page1	PCS	1
	Page2	PCS	1
	Si6-10	PCS	22
	J05	PCS	22



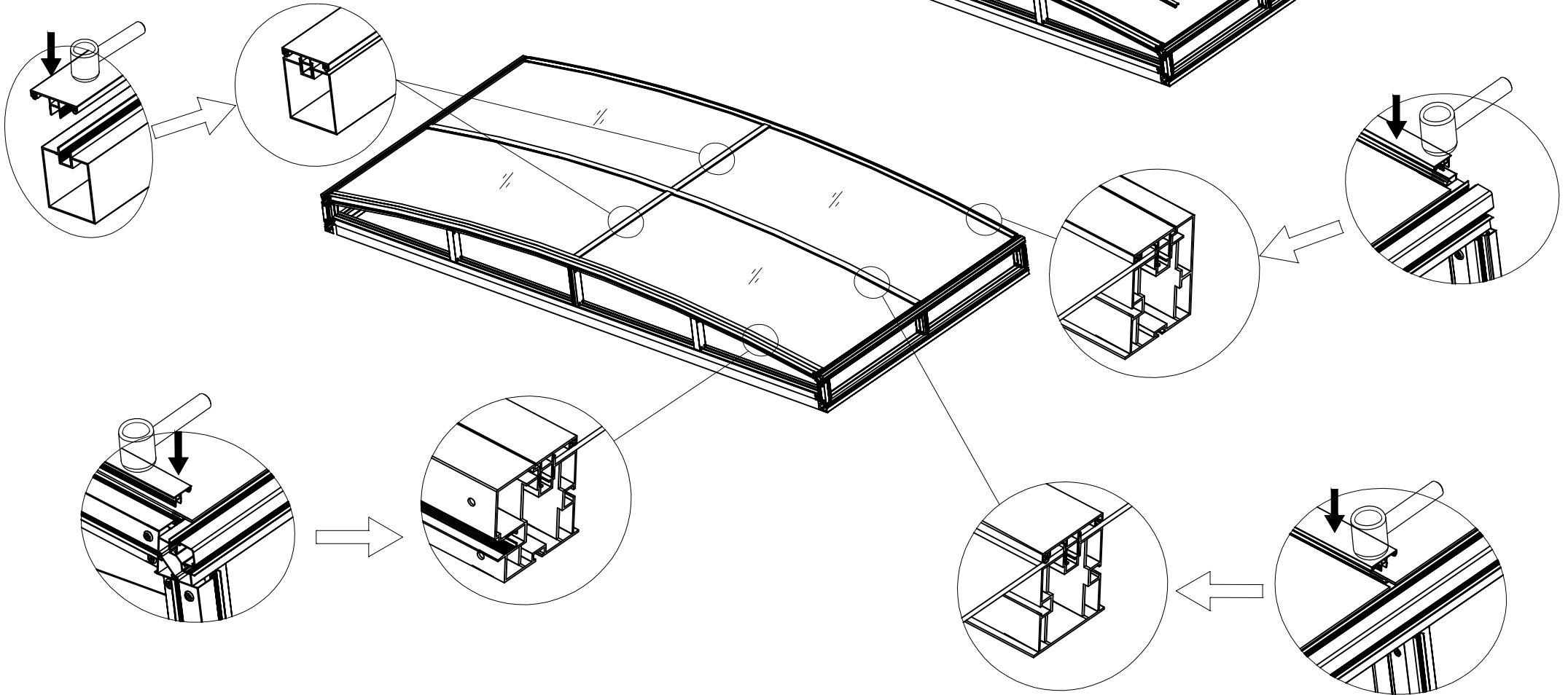
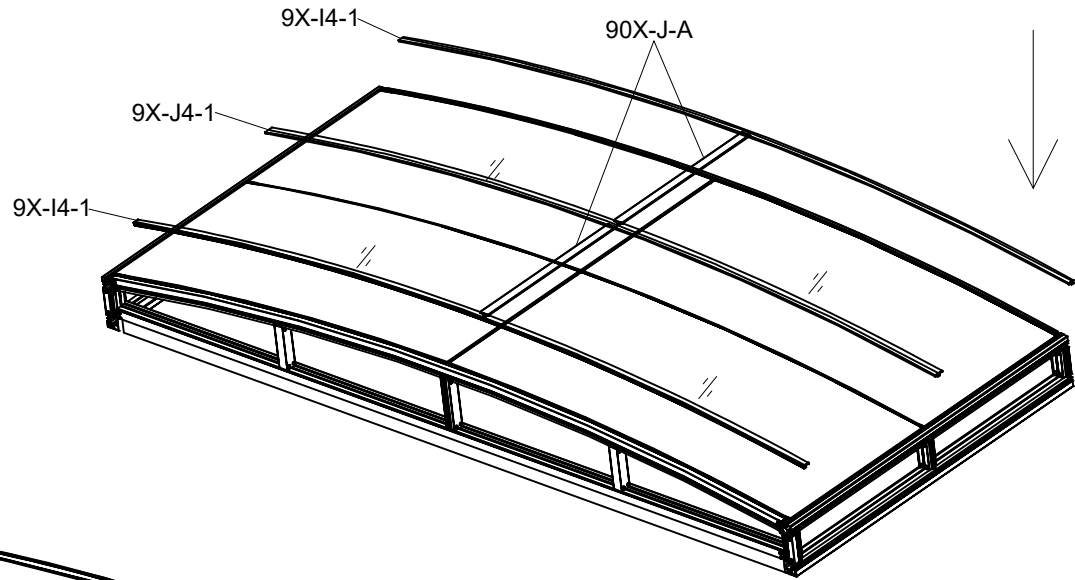
Part	product	NO.	Length(mm)	QTY.	code
□	SH9002D	90X-H2	2003	1	9X-HX
	SH9002D5	90X-H25	2503		
	SH9003D	90X-H3	3003		
	SH9003D5	90X-H35	3503		
	SH9004D	90X-H4	4003		
	SH9004D5	90X-H45	4503		
	SH9005D	90X-H5	5003		
□	SH9002D	92X-DX-1	200	1	9X-DX-1
	SH9002D5	925X-DX-1	222		
	SH9003D	93X-DX-1	244		
	SH9003D5	935X-DX-1	266		
	SH9004D	94X-DX-1	288		
	SH9004D5	945X-DX-1	310		
	SH9005D	95X-DX-1	331		
□	SH9002D	92X-E-1-L	183	1	9X-E-1-L
	SH9002D5	925X-E-1-L	199		
	SH9003D	93X-E-1-L	215		
	SH9003D5	935X-E-1-L	232		
	SH9004D	94X-E-1-L	248		
	SH9004D5	945X-E-1-L	265		
	SH9005D	95X-E-1-L	281		
□	SH9002D	92X-E-1-R	183	1	9X-E-1-R
	SH9002D5	925X-E-1-R	199		
	SH9003D	93X-E-1-R	215		
	SH9003D5	935X-E-1-R	232		
	SH9004D	94X-E-1-R	248		
	SH9004D5	945X-E-1-R	265		
	SH9005D	95X-E-1-R	281		
⊕		Si6-10	PCS	32	
⊕		J05	PCS	32	



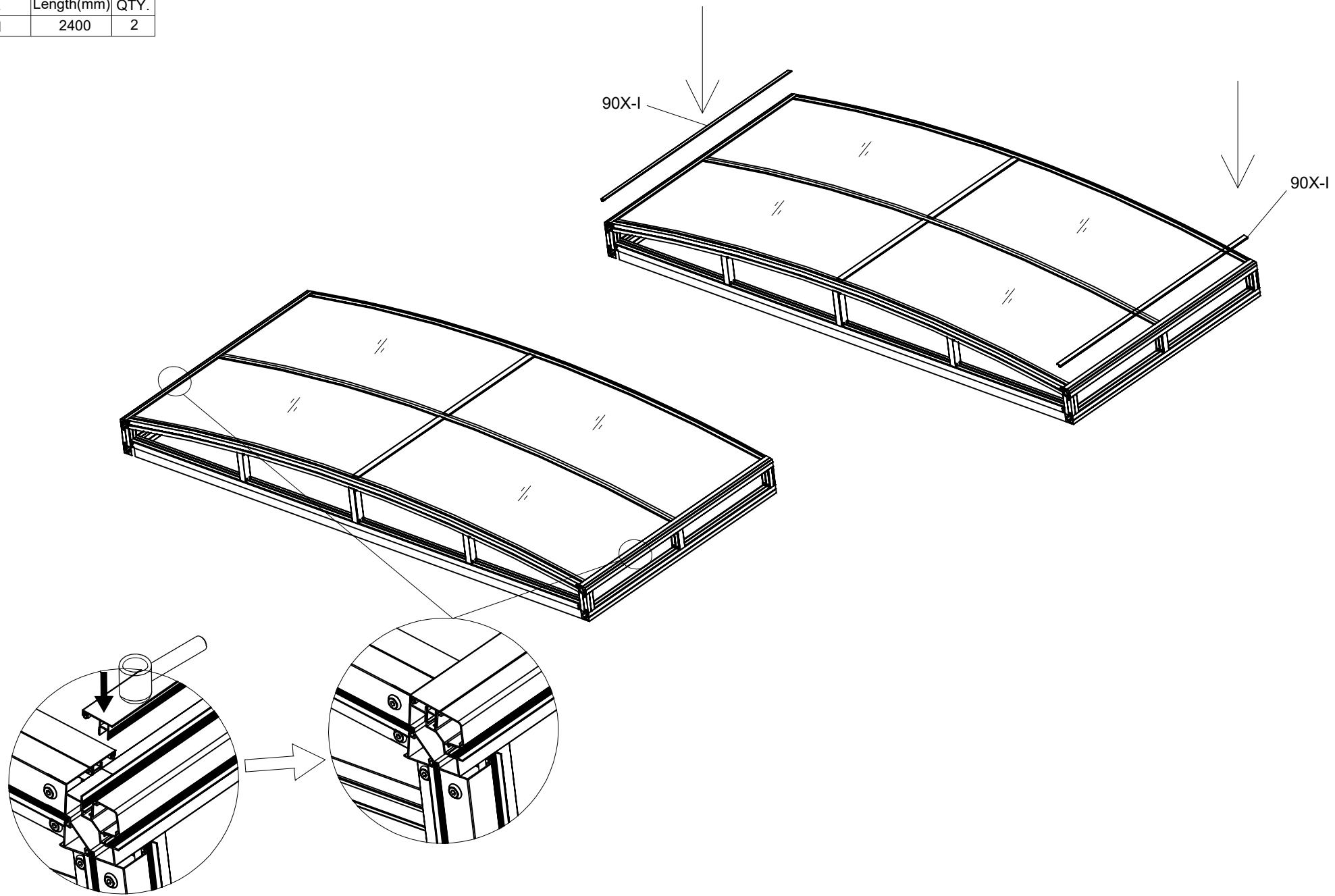
Part	product	NO.	QTY.	code
	SH9002D	1141×1029	4	G03
	SH9002D5	1141×1280		
	SH9003D	1141×1531		
	SH9003D5	1141×1783		
	SH9004D	1141×2034		
	SH9004D5	1141×2285		
	SH9005D	1141×2536		





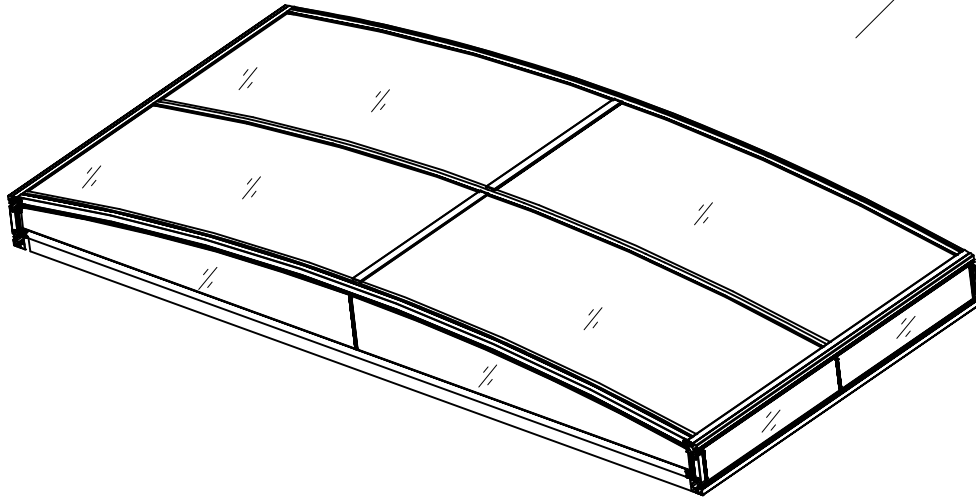
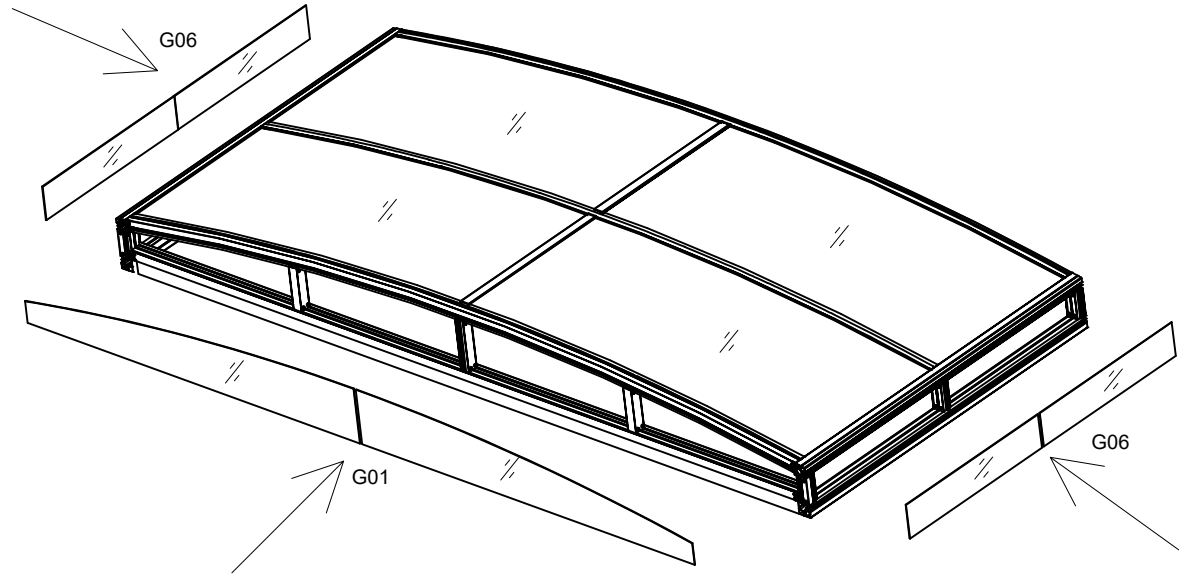
Part	product	NO.	Length(mm)	QTY.	code
H	SH9002D	92X-I4-1	2036	2	9X-I4-1
	SH9002D5	925X-I4-1	2538		
	SH9003D	93X-I4-1	3041		
	SH9003D5	935X-I4-1	3543		
	SH9004D	94X-I4-1	4046		
	SH9004D5	945X-I4-1	4548		
	SH9005D	95X-I4-1	5051		
H	SH9002D	92X-J4-1	2036	1	9X-J4-1
	SH9002D5	925X-J4-1	2538		
	SH9003D	93X-J4-1	3041		
	SH9003D5	935X-J4-1	3543		
	SH9004D	94X-J4-1	4046		
	SH9004D5	945X-J4-1	4548		
	SH9005D	95X-J4-1	5051		
H		90X-J-A	1099	2	



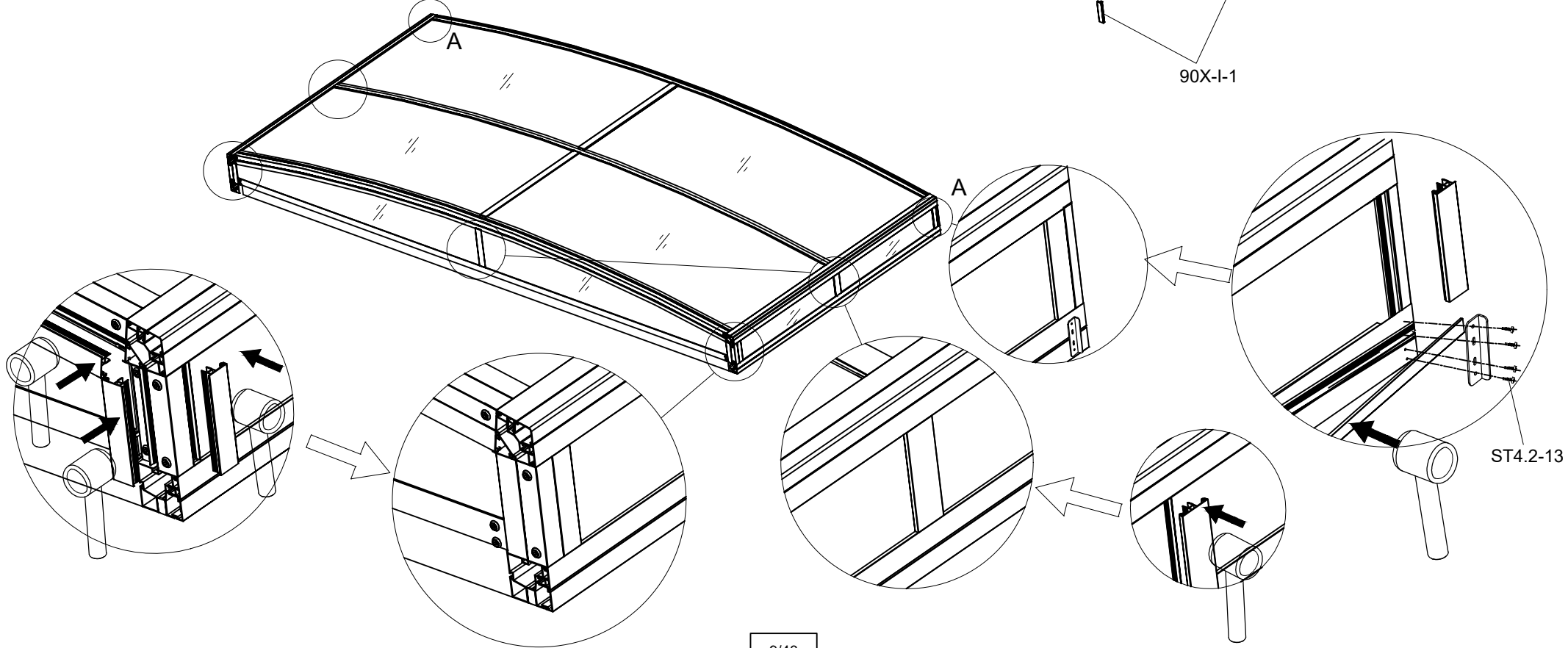
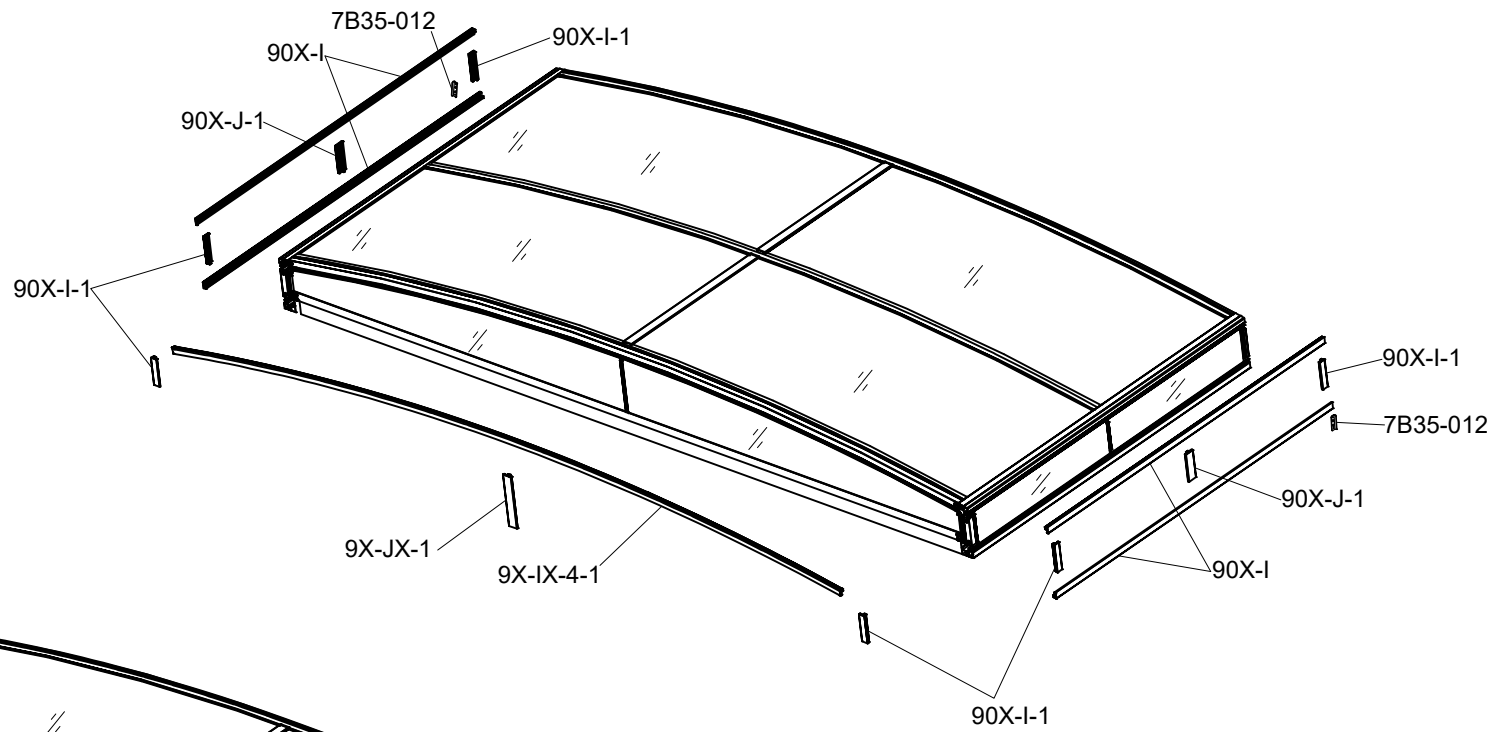
Part	NO.	Length(mm)	QTY.
▼▮	90X-I	2400	2









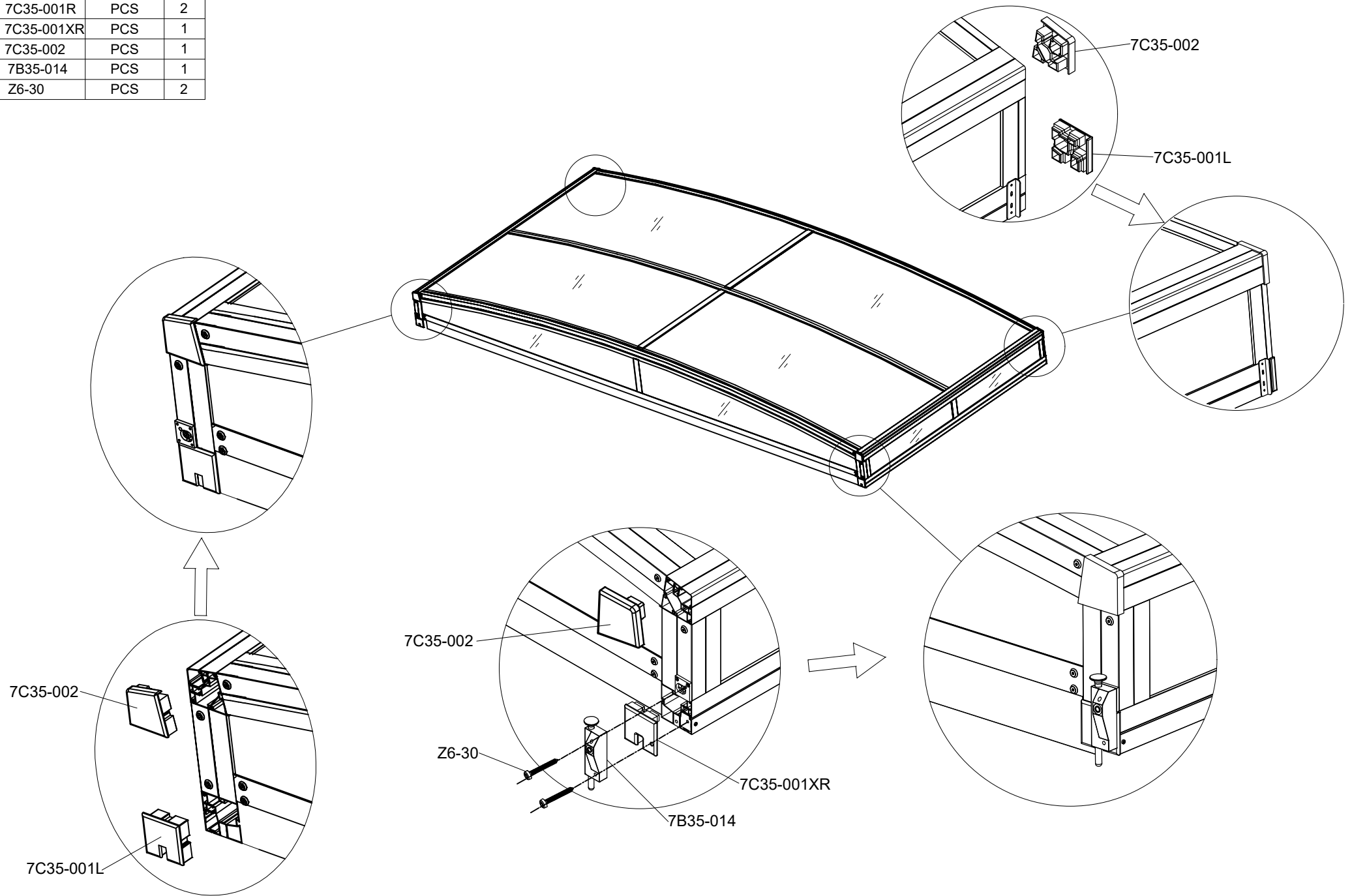
Part	product	NO.	QTY.	code
	SH9002D	1141×221	4	G06
	SH9002D5			
	SH9003D			
	SH9003D5			
	SH9004D			
	SH9004D5			
	SH9005D			
	SH9002D	1010×228	2	G01
	SH9002D5	1260×250		
	SH9003D	1510×272		
	SH9003D5	1760×293		
	SH9004D	2010×315		
	SH9004D5	2260×337		
	SH9005D	2510×359		





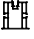




Part	product	NO.	Length(mm)	QTY.	code
H	SH9002D	92X-IX-4-1	2020	1	9X-IX-4-1
	SH9002D5	925X-IX-4-1	2523		
	SH9003D	93X-IX-4-1	3026		
	SH9003D5	935X-IX-4-1	3528		
	SH9004D	94X-IX-4-1	4031		
	SH9004D5	945X-IX-4-1	4534		
	SH9005D	95X-IX-4-1	5036		
H		90X-I	2400	4	
H		90X-I-1	180	6	
H		90X-J-1	180	2	
H	SH9002D	92X-JX-1	200	1	9X-JX-1
	SH9002D5	925X-JX-1	222		
	SH9003D	93X-JX-1	244		
	SH9003D5	935X-JX-1	266		
	SH9004D	94X-JX-1	288		
	SH9004D5	945X-JX-1	310		
	SH9005D	95X-JX-1	331		
		7B35-012	PCS	2	
		ST4.2-13	PCS	8	

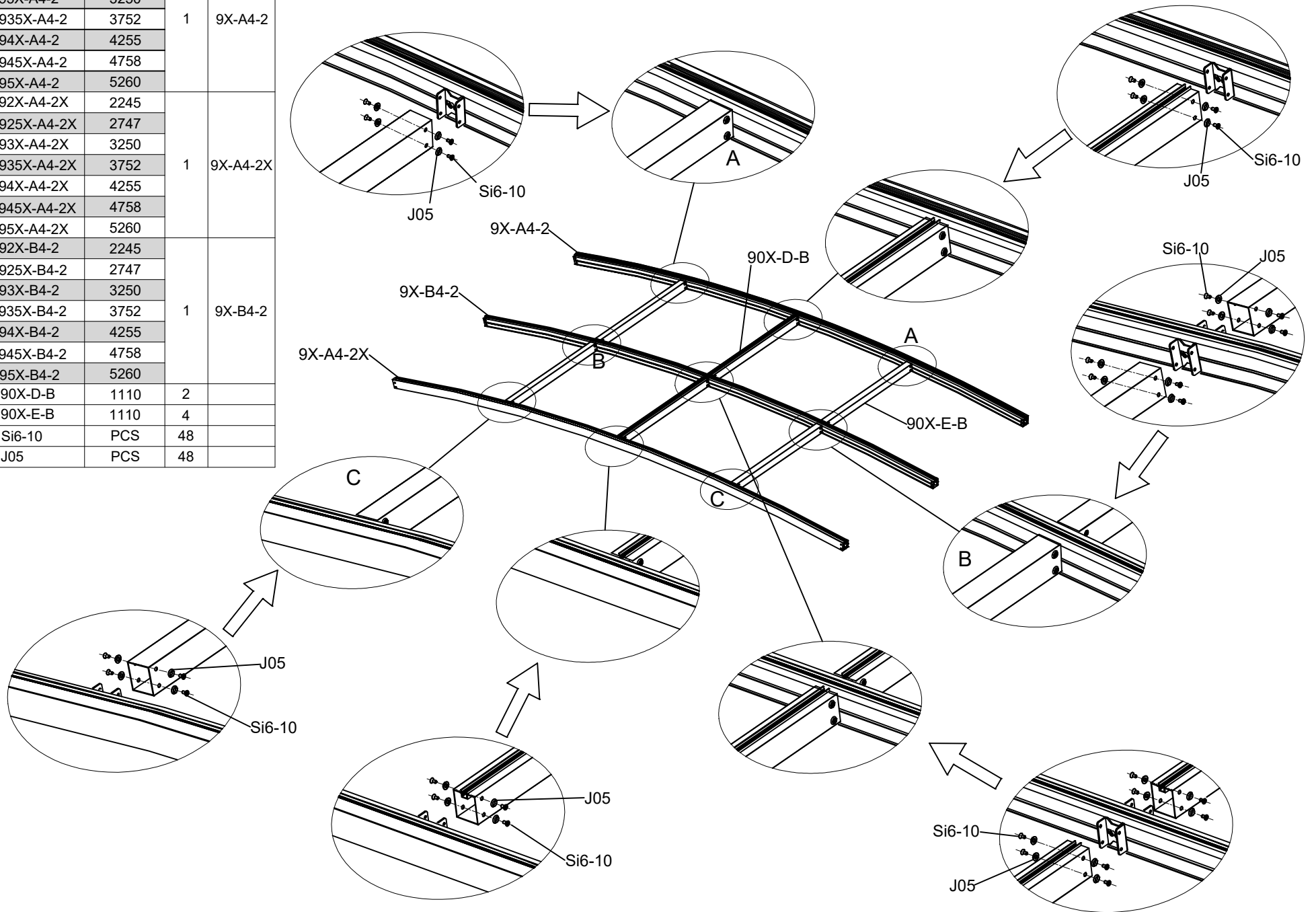


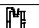
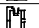
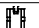







Part	NO.	Length(mm)	QTY.
	7C35-001L	PCS	4
	7C35-001R	PCS	2
	7C35-001XR	PCS	1
	7C35-002	PCS	1
	7B35-014	PCS	1
	Z6-30	PCS	2

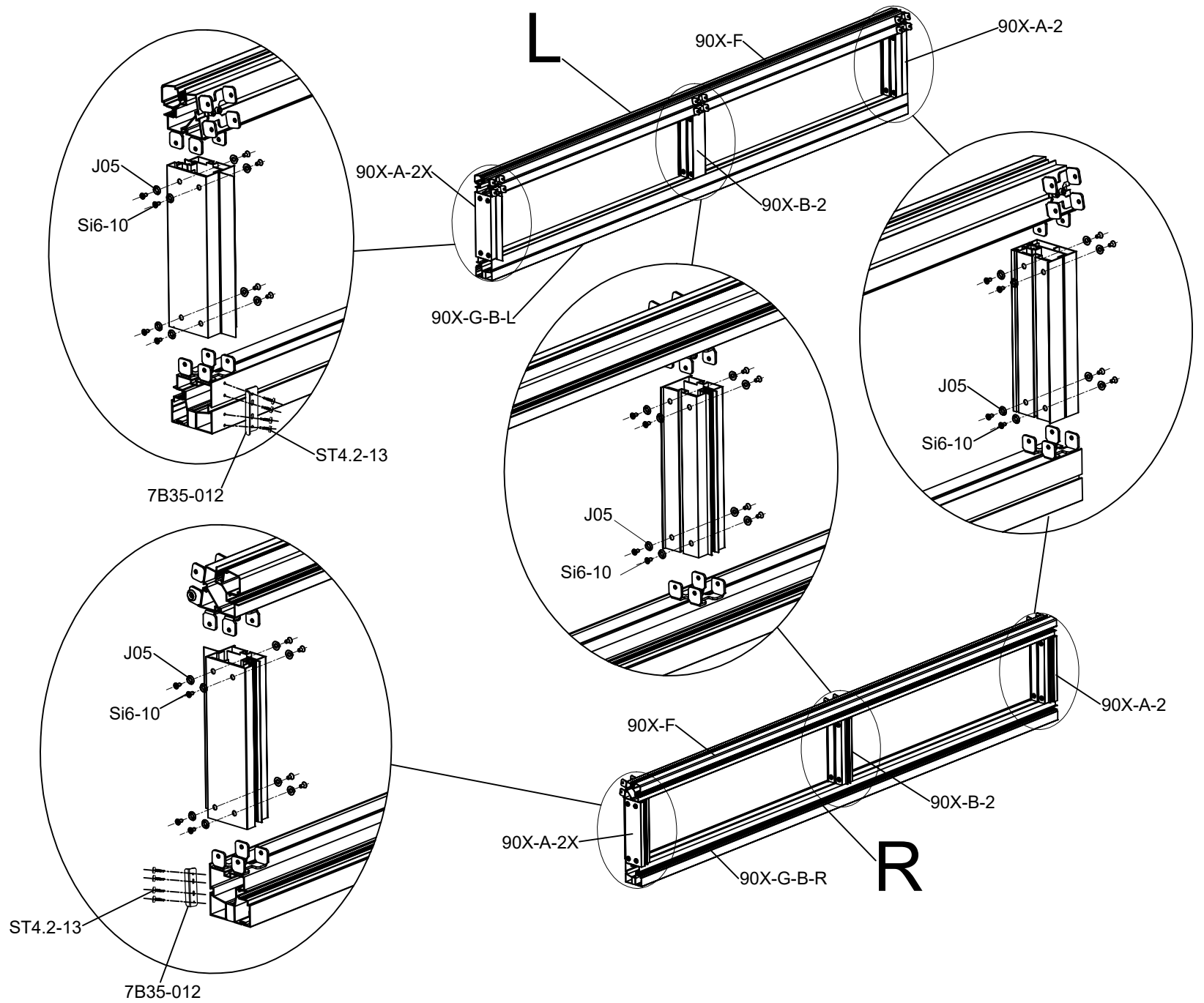








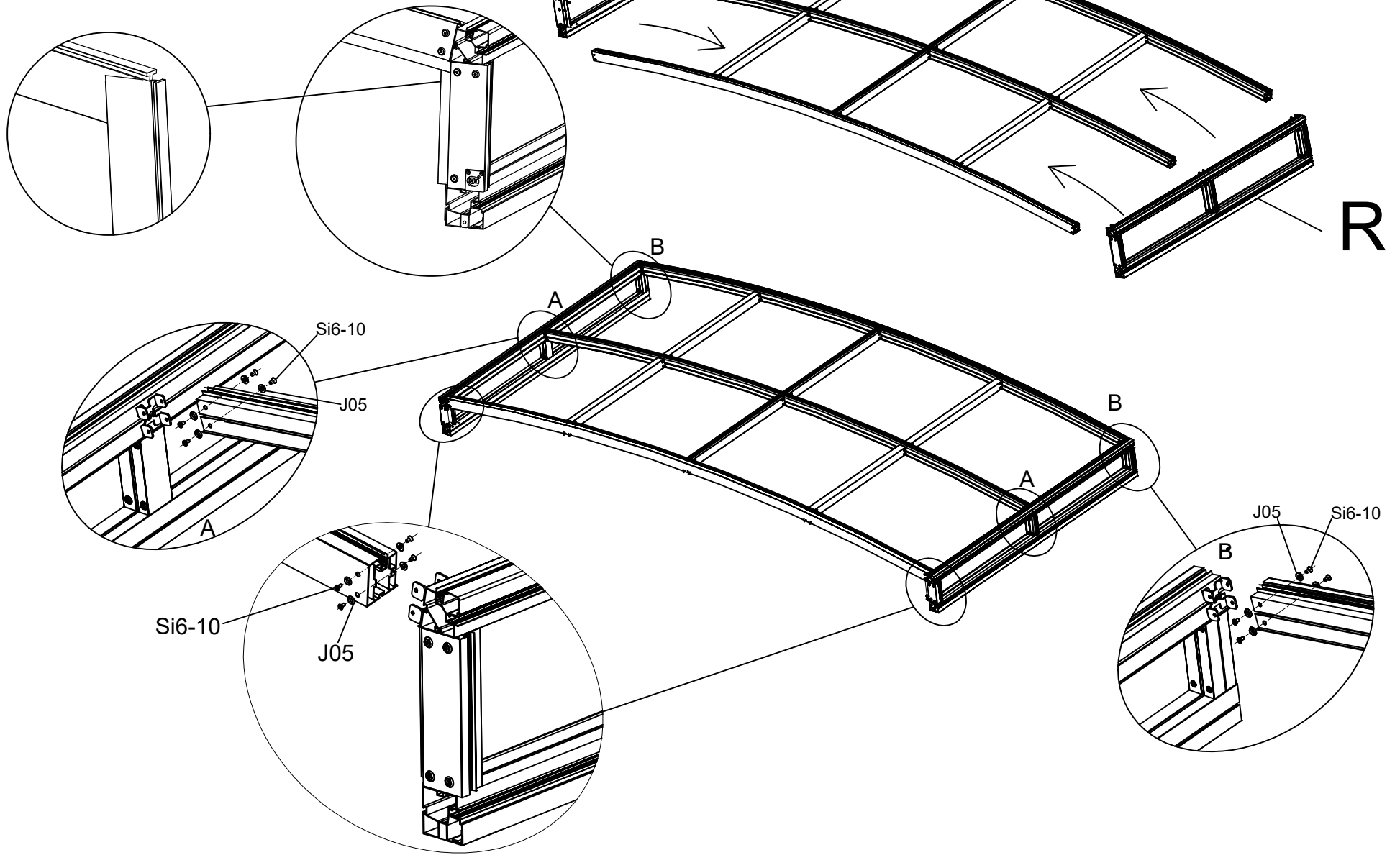
Part	product	NO.	Length(mm)	QTY.	code
	SH9002D	92X-A4-2	2245	1	9X-A4-2
	SH9002D5	925X-A4-2	2747		
	SH9003D	93X-A4-2	3250		
	SH9003D5	935X-A4-2	3752		
	SH9004D	94X-A4-2	4255		
	SH9004D5	945X-A4-2	4758		
	SH9005D	95X-A4-2	5260		
	SH9002D	92X-A4-2X	2245	1	9X-A4-2X
	SH9002D5	925X-A4-2X	2747		
	SH9003D	93X-A4-2X	3250		
	SH9003D5	935X-A4-2X	3752		
	SH9004D	94X-A4-2X	4255		
	SH9004D5	945X-A4-2X	4758		
	SH9005D	95X-A4-2X	5260		
	SH9002D	92X-B4-2	2245	1	9X-B4-2
	SH9002D5	925X-B4-2	2747		
	SH9003D	93X-B4-2	3250		
	SH9003D5	935X-B4-2	3752		
	SH9004D	94X-B4-2	4255		
	SH9004D5	945X-B4-2	4758		
	SH9005D	95X-B4-2	5260		
		90X-D-B	1110	2	
		90X-E-B	1110	4	
		Si6-10	PCS	48	
		J05	PCS	48	




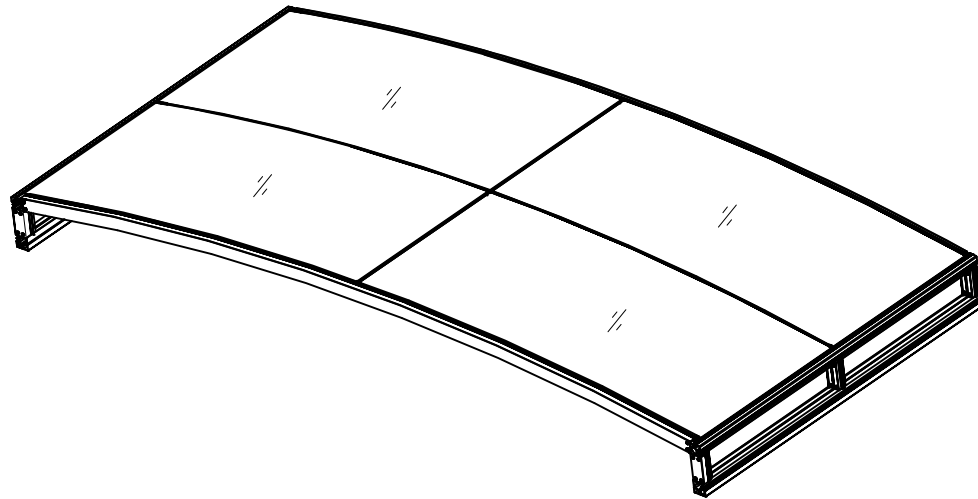
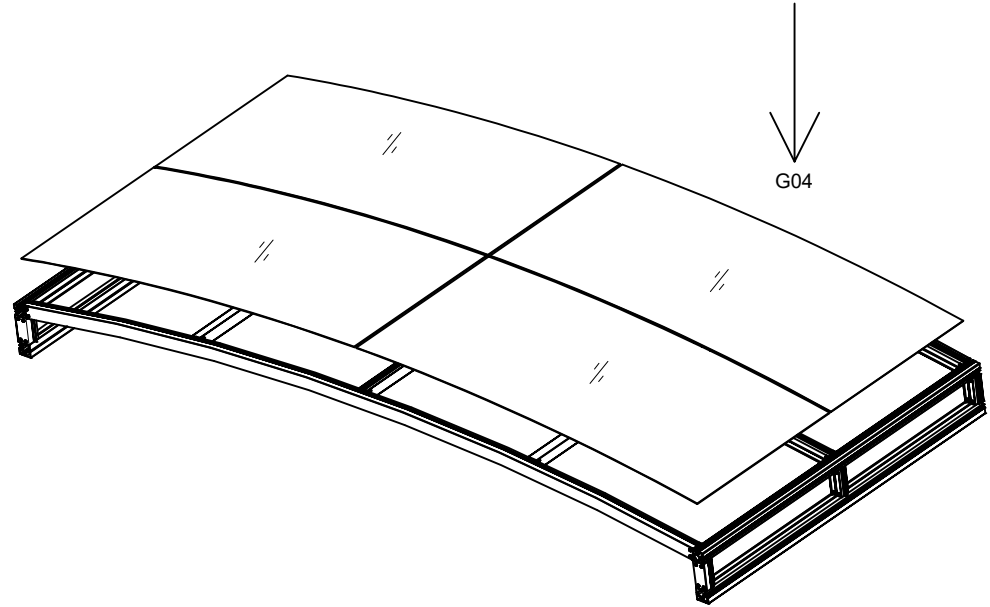
Part	NO.	Length(mm)	QTY.
	90X-A-2	265	2
	90X-A-2X	265	2
	90X-B-2	265	2
	90X-F	2400	2
	90X-G-B-L	2400	1
	90X-G-B-R	2400	1
	7B35-012	PCS	2
	ST4.2-13	PCS	8
	Si6-10	PCS	48
	J05	PCS	48



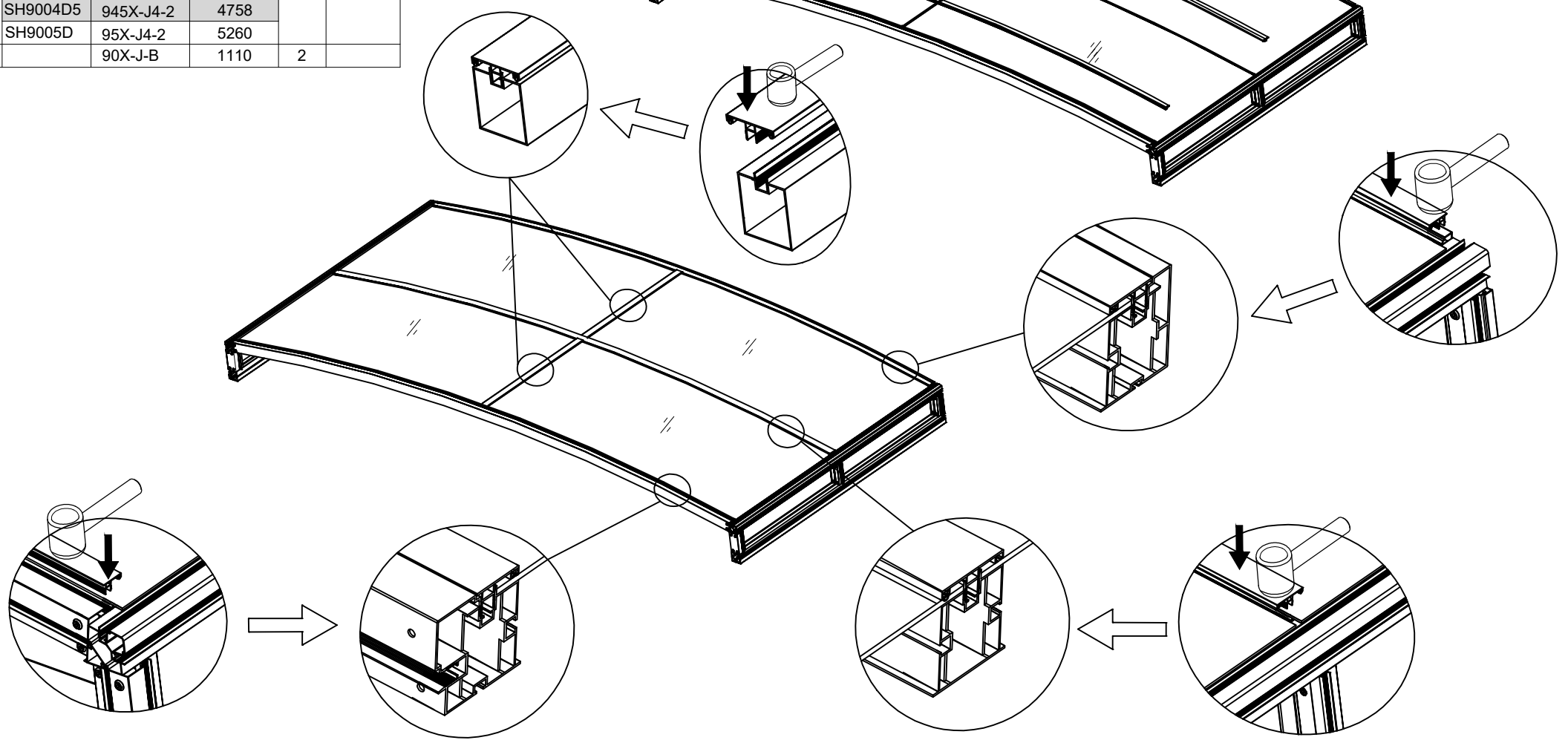
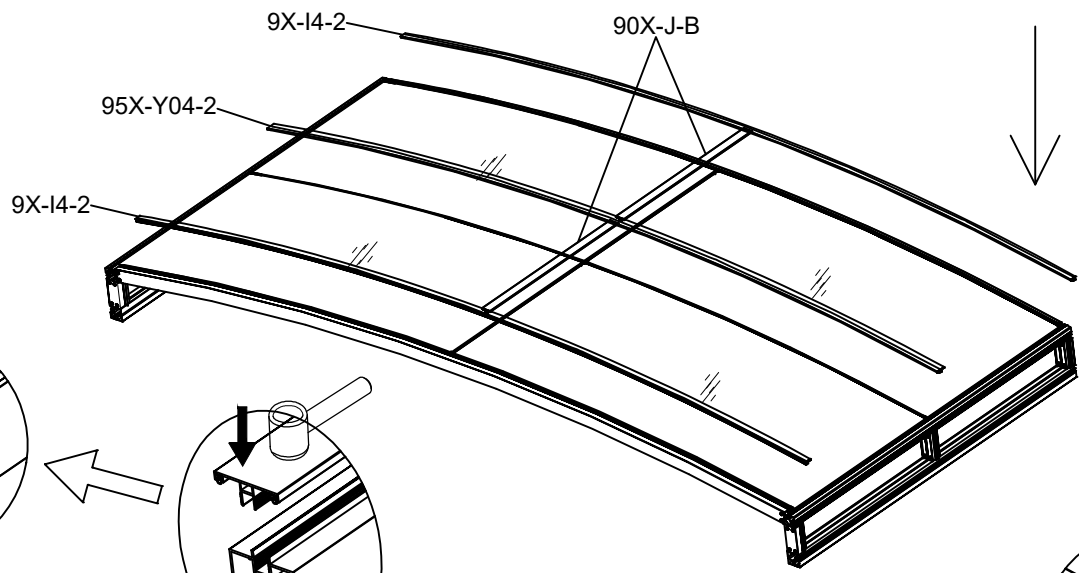
Part	NO.	Length(mm)	QTY.
	Page11	PCS	1
	Page12	PCS	1
	Si6-10	PCS	24
	J05	PCS	24



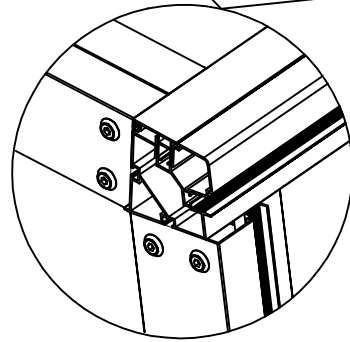
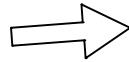
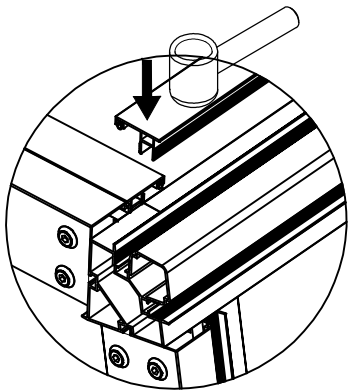
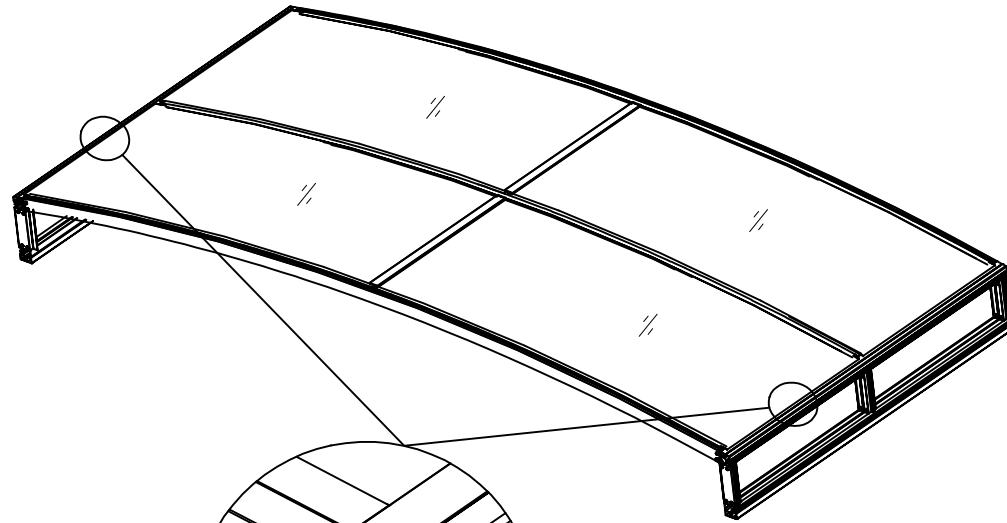
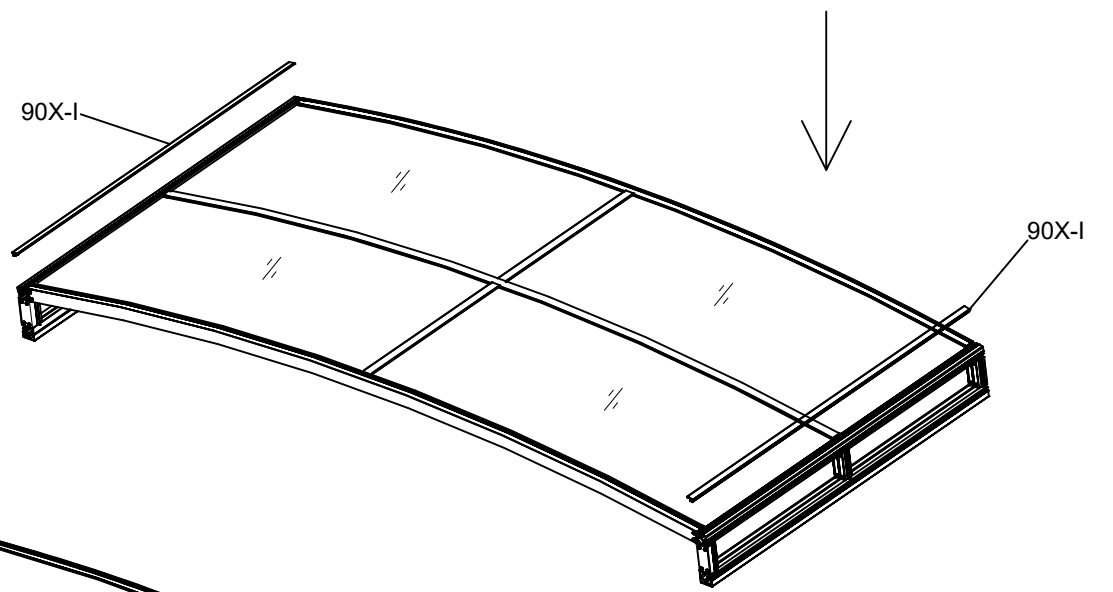
Part	product	NO.	QTY.	code
	SH9002D	1151×1133	4	G04
	SH9002D5	1151×1385		
	SH9003D	1151×1638		
	SH9003D5	1151×1887		
	SH9004D	1151×2138		
	SH9004D5	1151×2390		
	SH9005D	1151×2641		




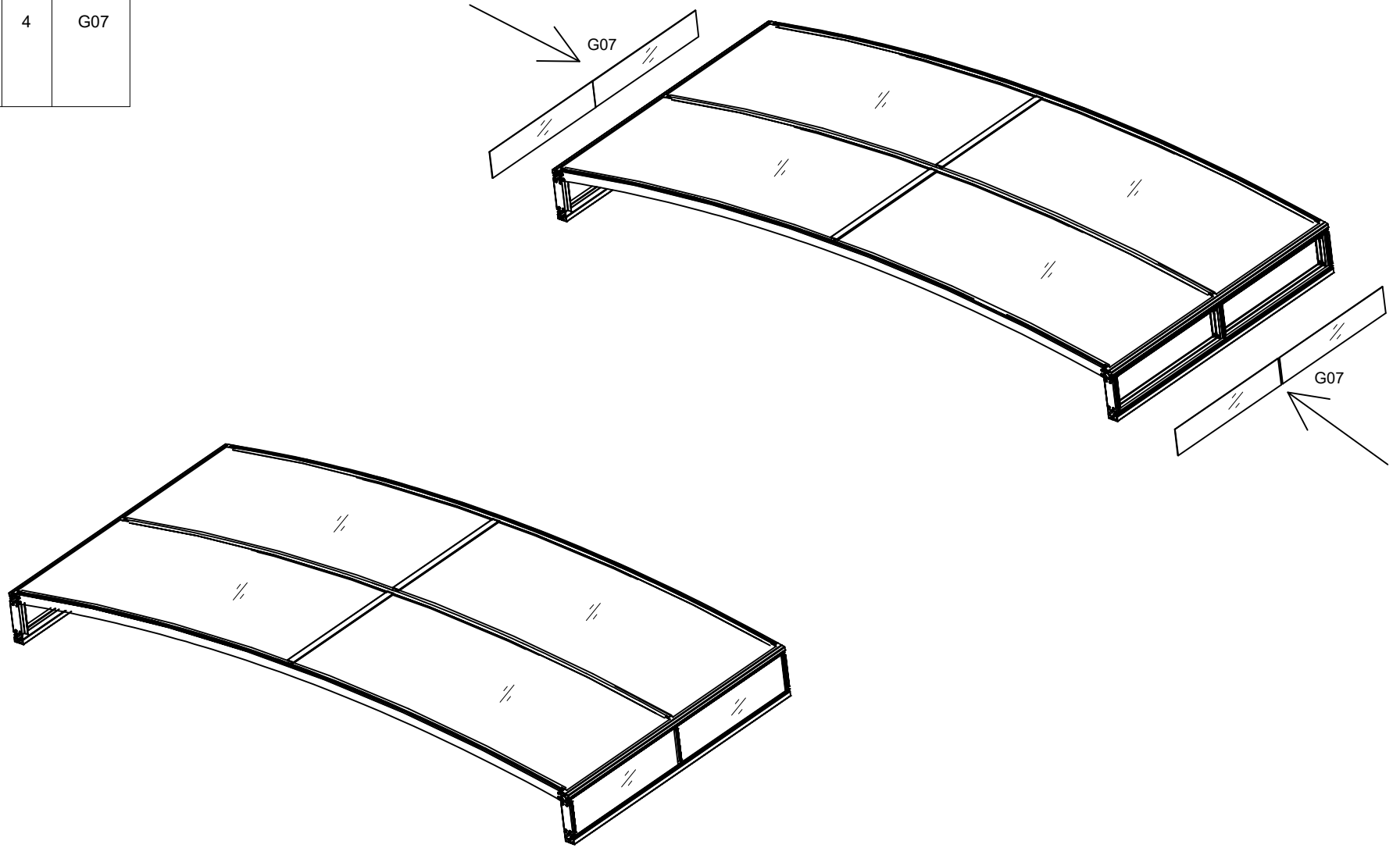
Part	product	NO.	Length(mm)	QTY.	code
□H	SH9002D	92X-I4-2	2245	2	9X-I4-2
	SH9002D5	925X-I4-2	2747		
	SH9003D	93X-I4-2	3250		
	SH9003D5	935X-I4-2	3752		
	SH9004D	94X-I4-2	4255		
	SH9004D5	945X-I4-2	4758		
	SH9005D	95X-I4-2	5260		
□H	SH9002D	92X-J4-2	2245	1	9X-J4-2
	SH9002D5	925X-J4-2	2747		
	SH9003D	93X-J4-2	3250		
	SH9003D5	935X-J4-2	3752		
	SH9004D	94X-J4-2	4255		
	SH9004D5	945X-J4-2	4758		
	SH9005D	95X-J4-2	5260		
□H		90X-J-B	1110	2	








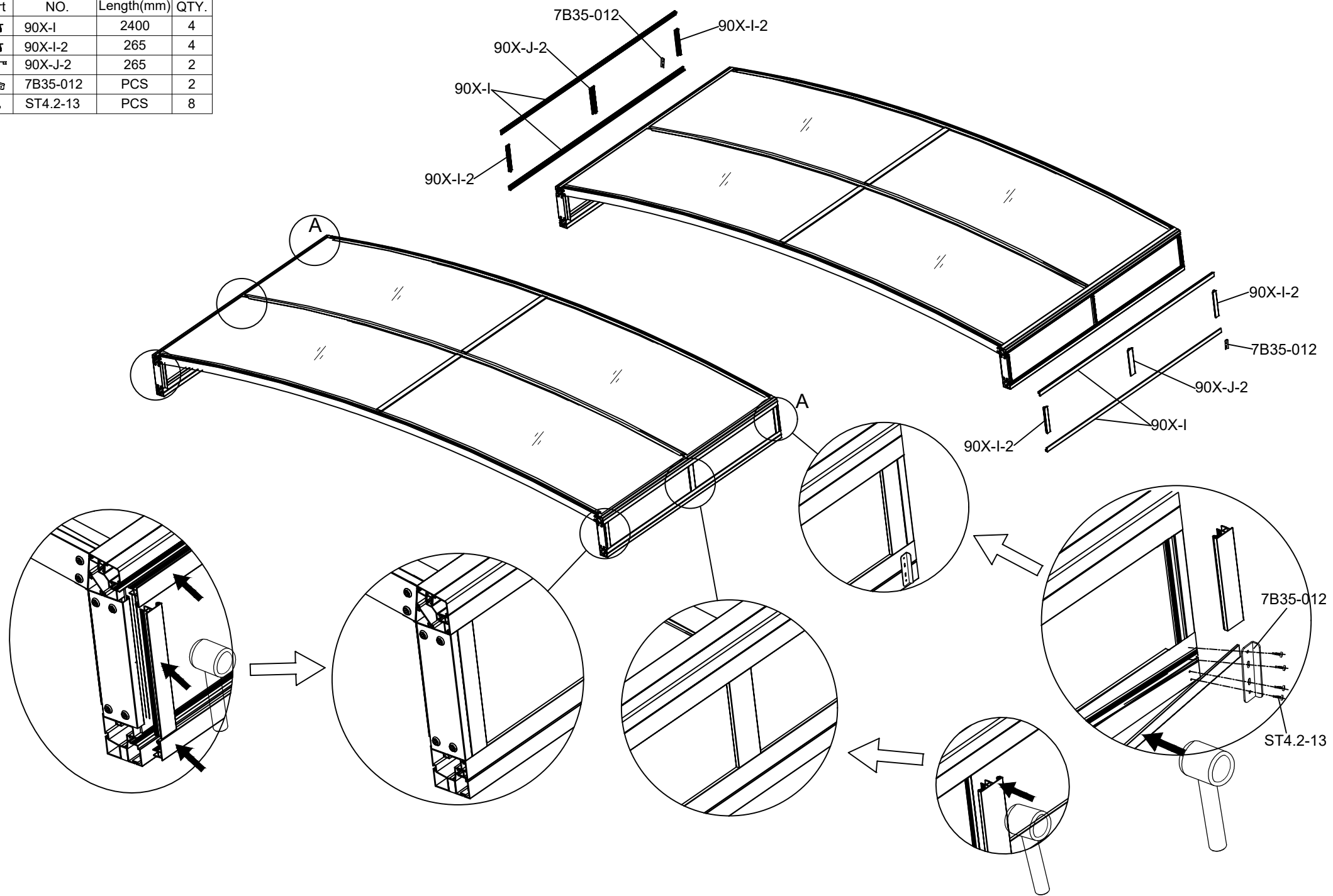
Part	NO.	Length(mm)	QTY.
▼▮	90X-1	2400	2






Part	product	NO.	QTY.	code
	SH9002D	1151×306	4	G07
	SH9002D5			
	SH9003D			
	SH9003D5			
	SH9004D			
	SH9004D5			
	SH9005D			

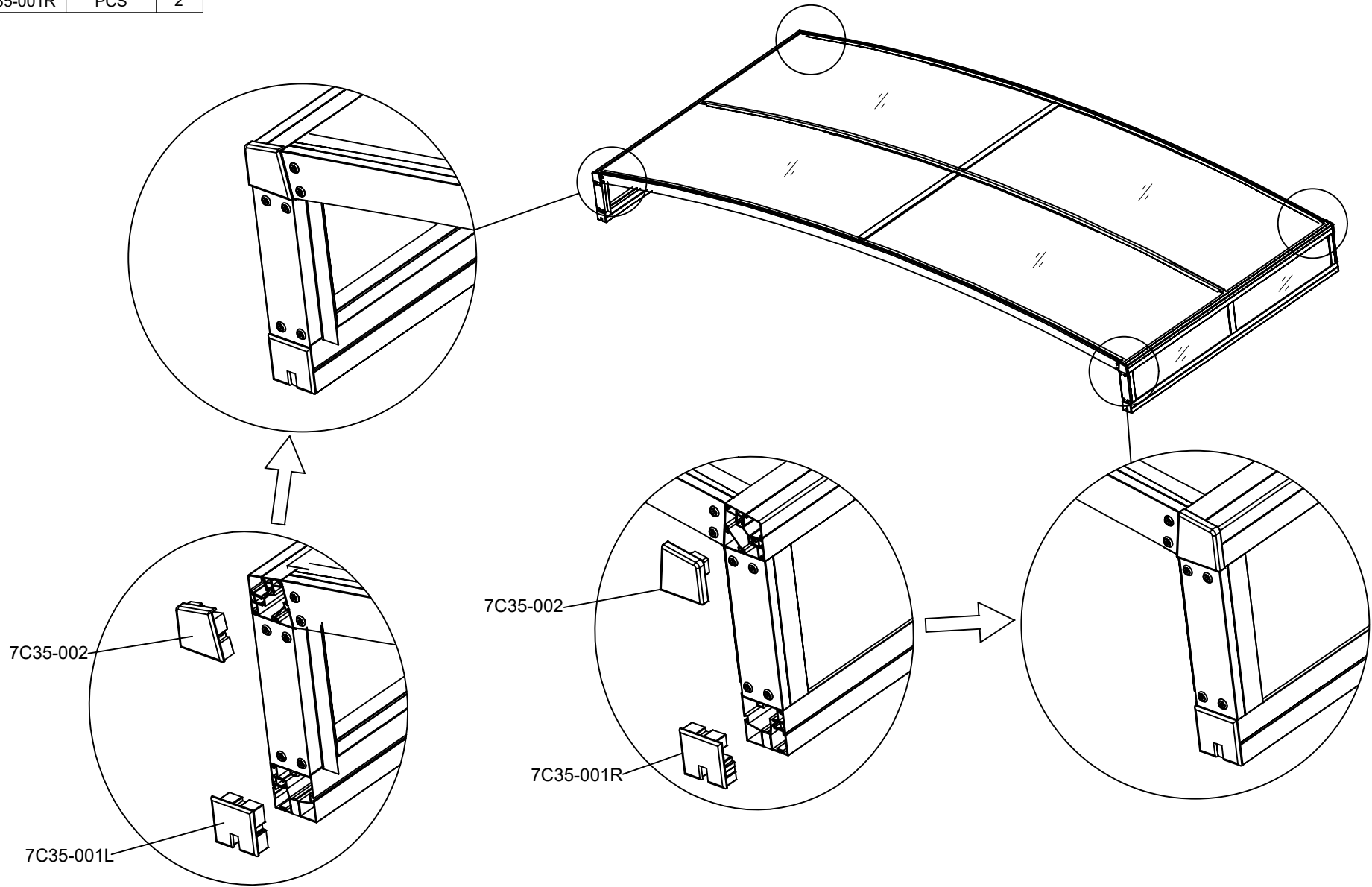



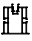
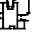




Part	NO.	Length(mm)	QTY.
	90X-I	2400	4
	90X-I-2	265	4
	90X-J-2	265	2
	7B35-012	PCS	2
	ST4.2-13	PCS	8

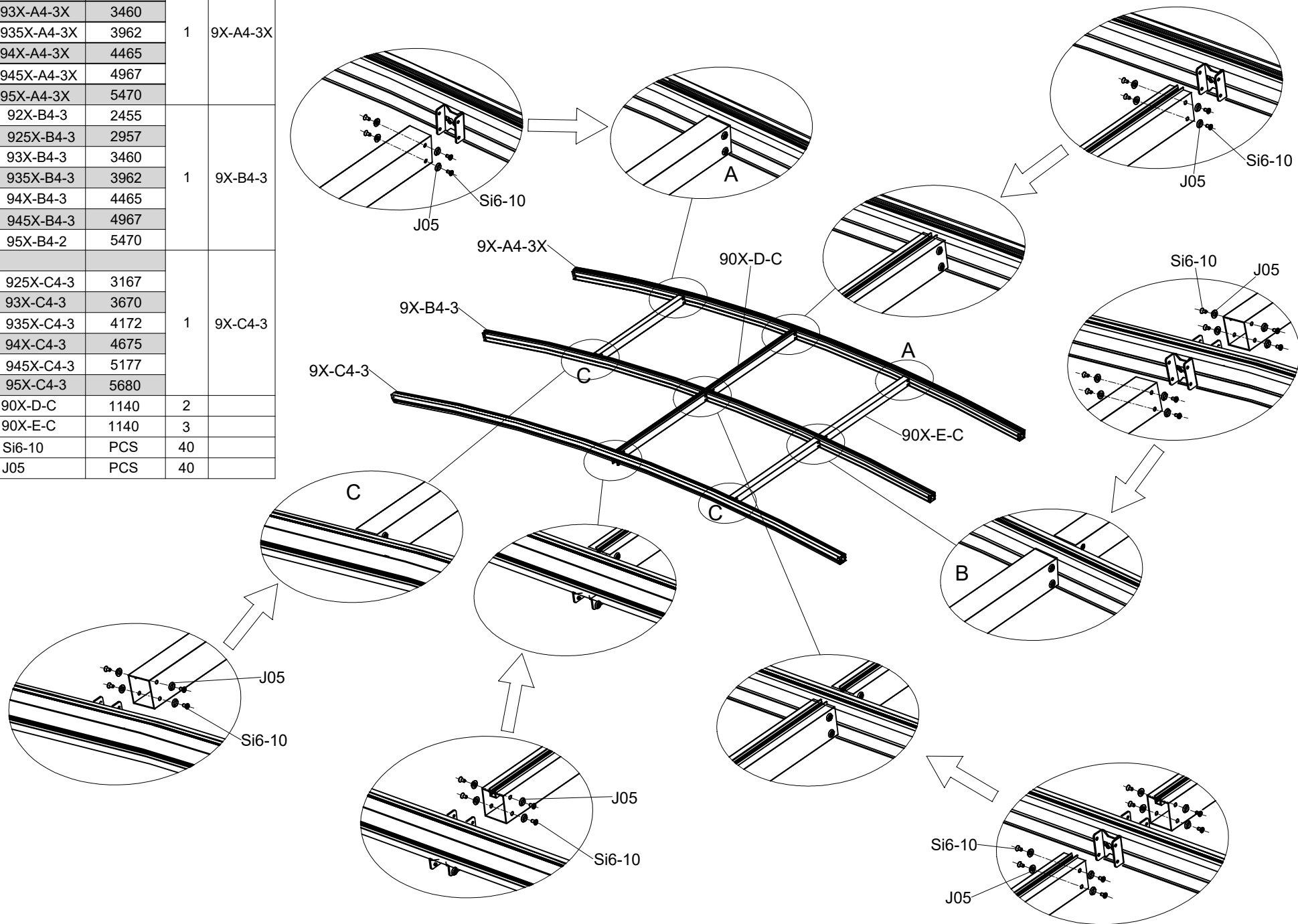




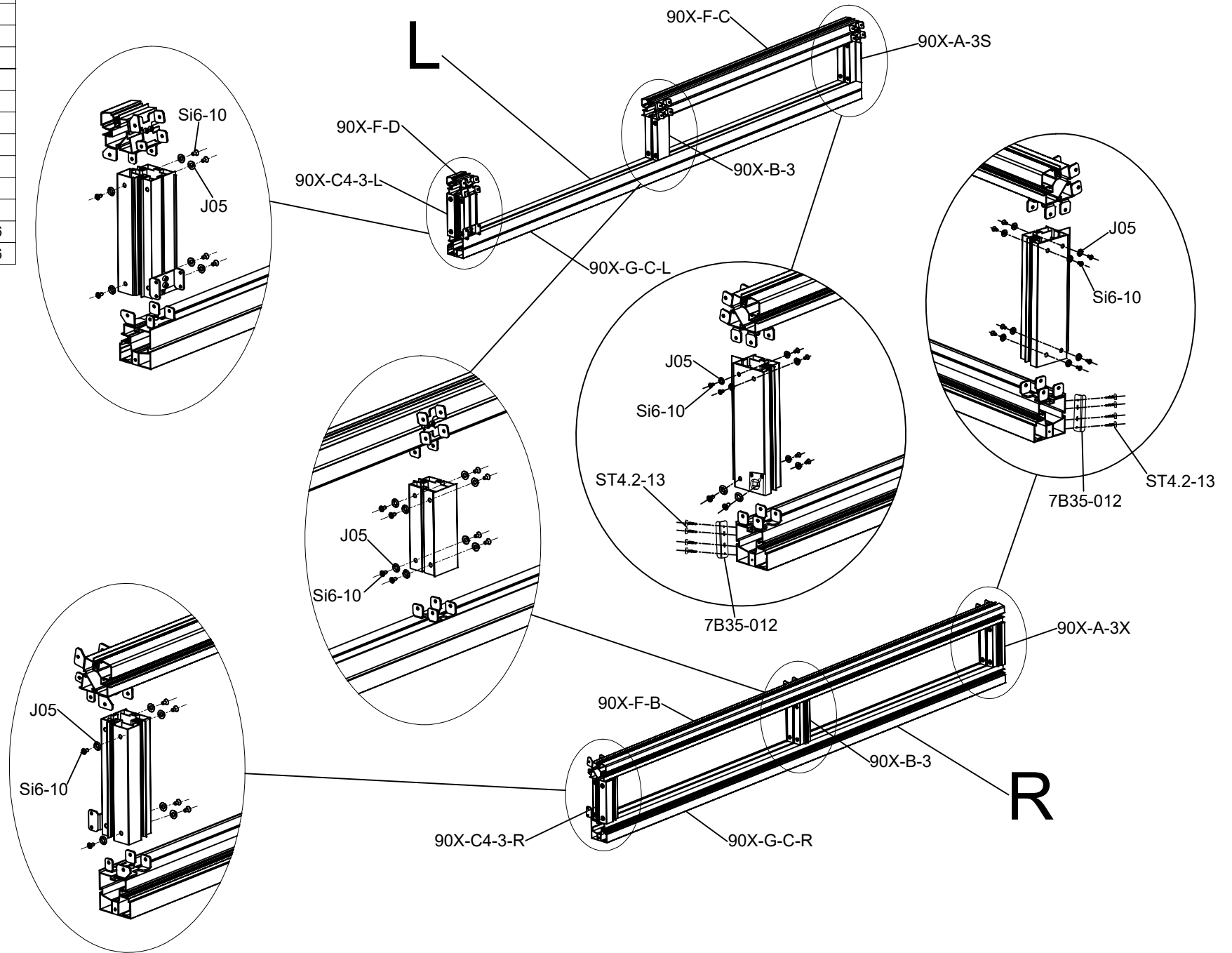
Part	NO.	Length(mm)	QTY.
	7C35-002	PCS	4
	7C35-001L	PCS	2
	7C35-001R	PCS	2







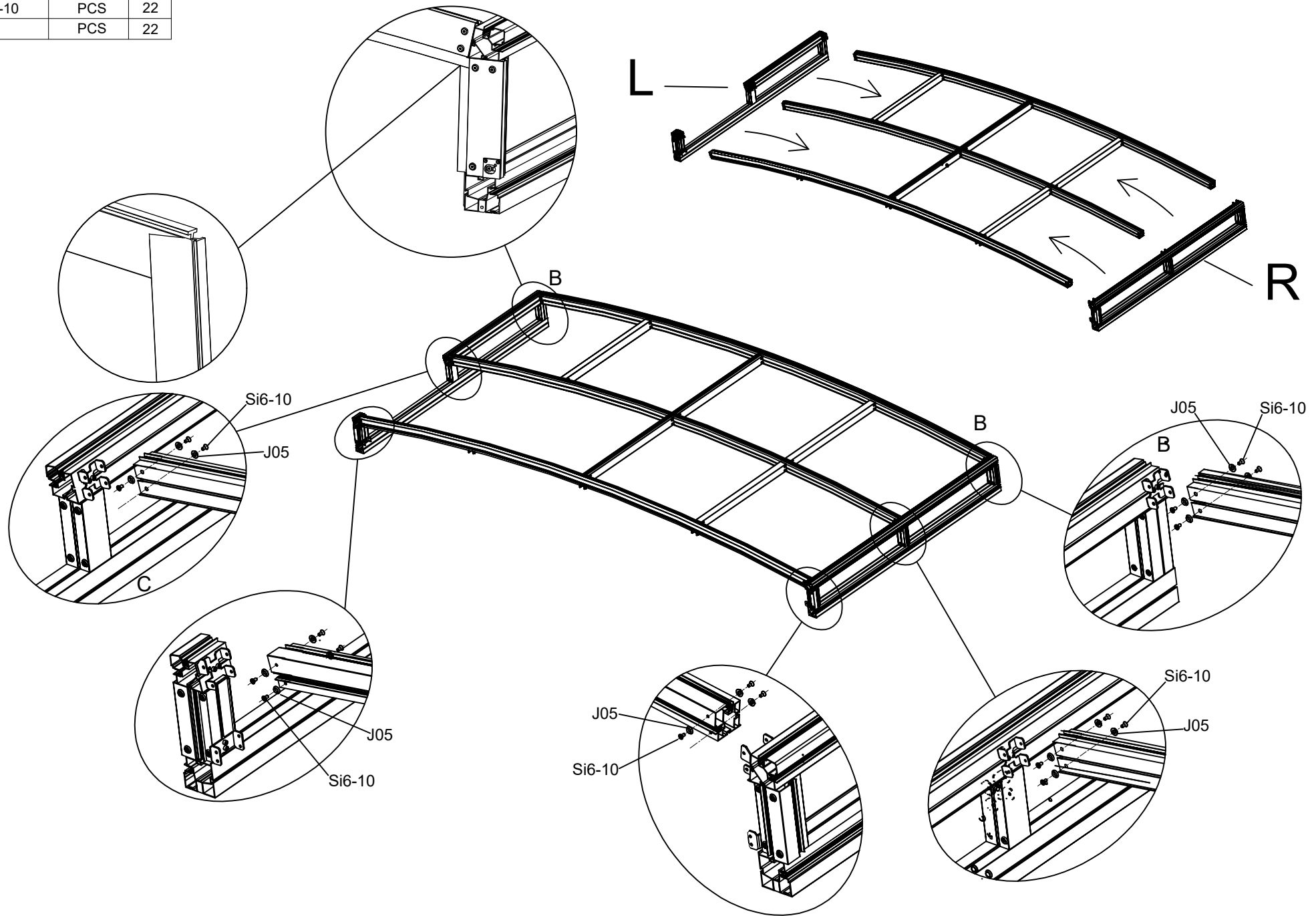
Part	product	NO.	Length(mm)	QTY.	code
	SH9002D	92X-A4-3X	2455	1	9X-A4-3X
	SH9002D5	925X-A4-3X	2957		
	SH9003D	93X-A4-3X	3460		
	SH9003D5	935X-A4-3X	3962		
	SH9004D	94X-A4-3X	4465		
	SH9004D5	945X-A4-3X	4967		
	SH9005D	95X-A4-3X	5470		
	SH9002D	92X-B4-3	2455	1	9X-B4-3
	SH9002D5	925X-B4-3	2957		
	SH9003D	93X-B4-3	3460		
	SH9003D5	935X-B4-3	3962		
	SH9004D	94X-B4-3	4465		
	SH9004D5	945X-B4-3	4967		
	SH9005D	95X-B4-2	5470		
				1	9X-C4-3
	SH9002D5	925X-C4-3	3167		
	SH9003D	93X-C4-3	3670		
	SH9003D5	935X-C4-3	4172		
	SH9004D	94X-C4-3	4675		
	SH9004D5	945X-C4-3	5177		
SH9005D	95X-C4-3	5680			
		90X-D-C	1140	2	
		90X-E-C	1140	3	
		Si6-10	PCS	40	
		J05	PCS	40	



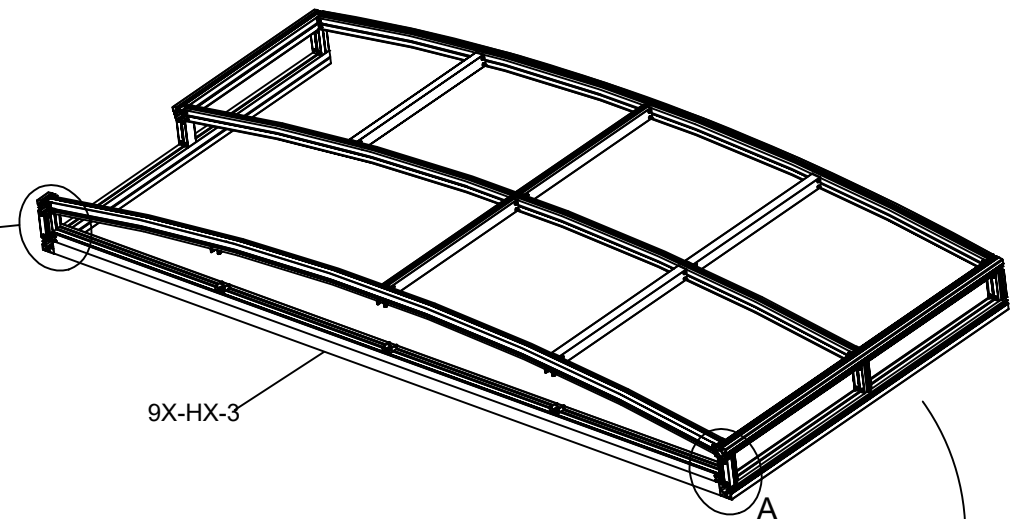
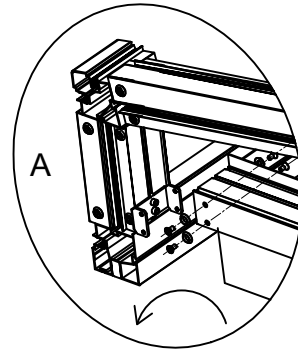
Part	NO.	Length(mm)	QTY.
	90X-A-3X	349	1
	90X-A-3S	349	1
	90X-B-3	349	2
	90X-C4-3-L	349	1
	90X-C4-3-R	349	1
	90X-F-B	2480	1
	90X-F-C	1260	1
	90X-F-D	80	1
	90X-G-C-L	2480	1
	2480	1	
	7B35-012	PCS	2
	ST4.2-13	PCS	8
	Si6-10	PCS	46
	J05	PCS	46



Part	NO.	Length(mm)	QTY.
	Page29	PCS	1
	Page30	PCS	1
	Si6-10	PCS	22
	J05	PCS	22

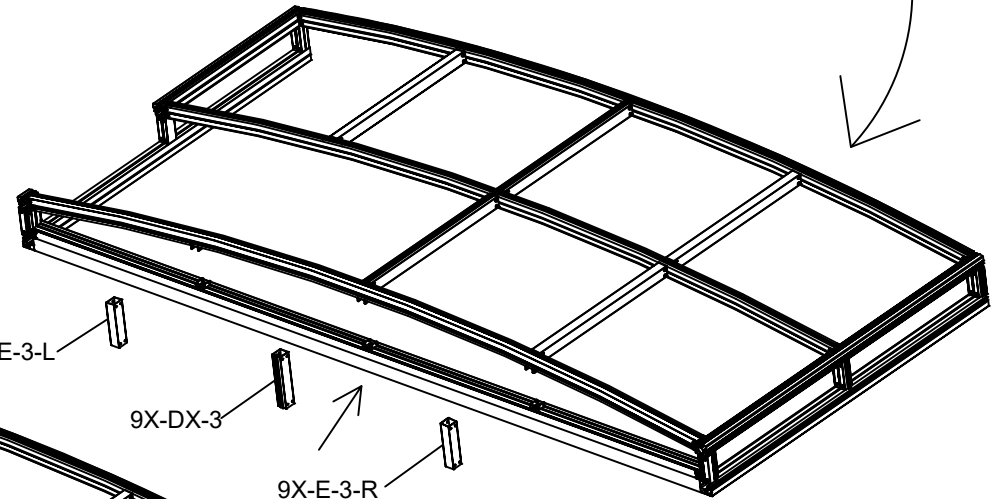


Part	product	NO.	Length(mm)	QTY.	code
☐	SH9002D	90X-H2-3	2416	1	9X-HX-3
	SH9002D5	90X-H25-3	2916		
	SH9003D	90X-H3-3	3416		
	SH9003D5	90X-H35-3	3916		
	SH9004D	90X-H4-3	4416		
	SH9004D5	90X-H45-3	4916		
	SH9005D	90X-H5-3	5416		
☐	SH9002D	92X-DX-3	406	1	9X-DX-3
	SH9002D5	925X-DX-3	428		
	SH9003D	93X-DX-3	450		
	SH9003D5	935X-DX-3	472		
	SH9004D	94X-DX-3	493		
	SH9004D5	945X-DX-3	515		
	SH9005D	95X-DX-3	537		
☐	SH9002D	92X-E-3-L	379	1	9X-E-3-L
	SH9002D5	925X-E-3-L	396		
	SH9003D	93X-E-3-L	412		
	SH9003D5	935X-E-3-L	437		
	SH9004D	94X-E-3-L	445		
	SH9004D5	945X-E-3-L	461		
	SH9005D	95X-E-3-L	477		
☐	SH9002D	92X-E-3-R	379	1	9X-E-3-R
	SH9002D5	925X-E-3-R	396		
	SH9003D	93X-E-3-R	412		
	SH9003D5	935X-E-3-R	437		
	SH9004D	94X-E-3-R	445		
	SH9004D5	945X-E-3-R	461		
	SH9005D	95X-E-3-R	477		
⊕		Si6-10	PCS	32	
⊕		J05	PCS	32	



9X-HX-3

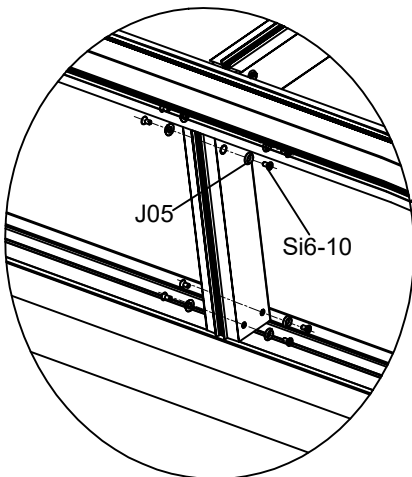
A




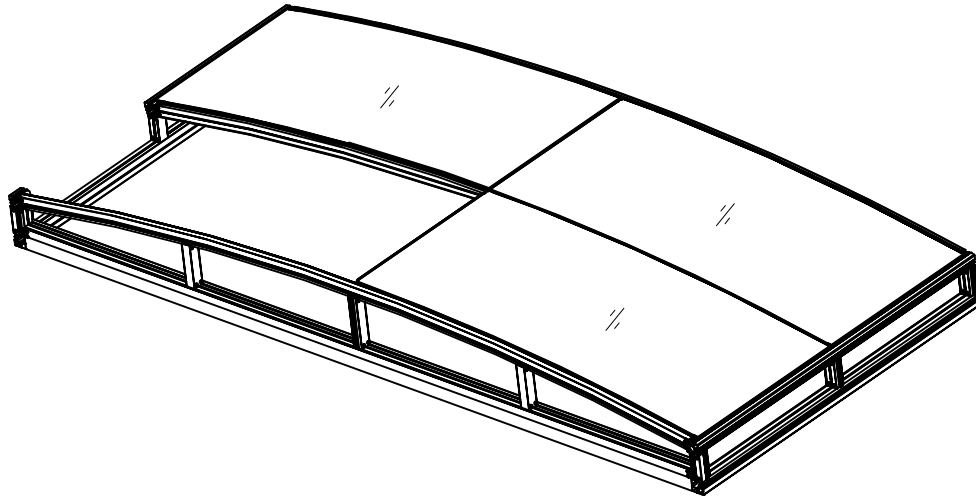
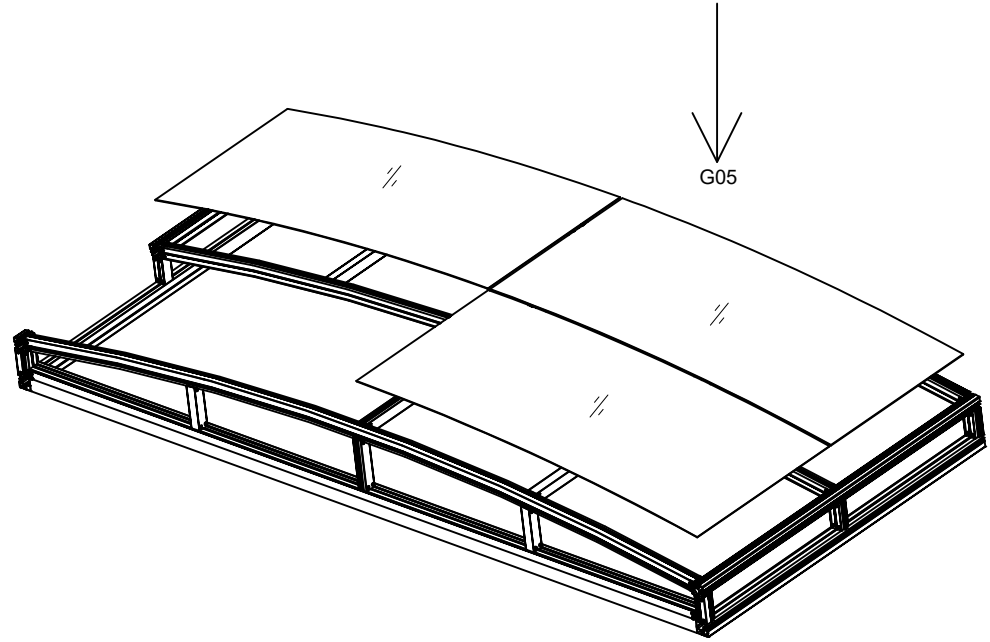
9X-E-3-L

9X-DX-3

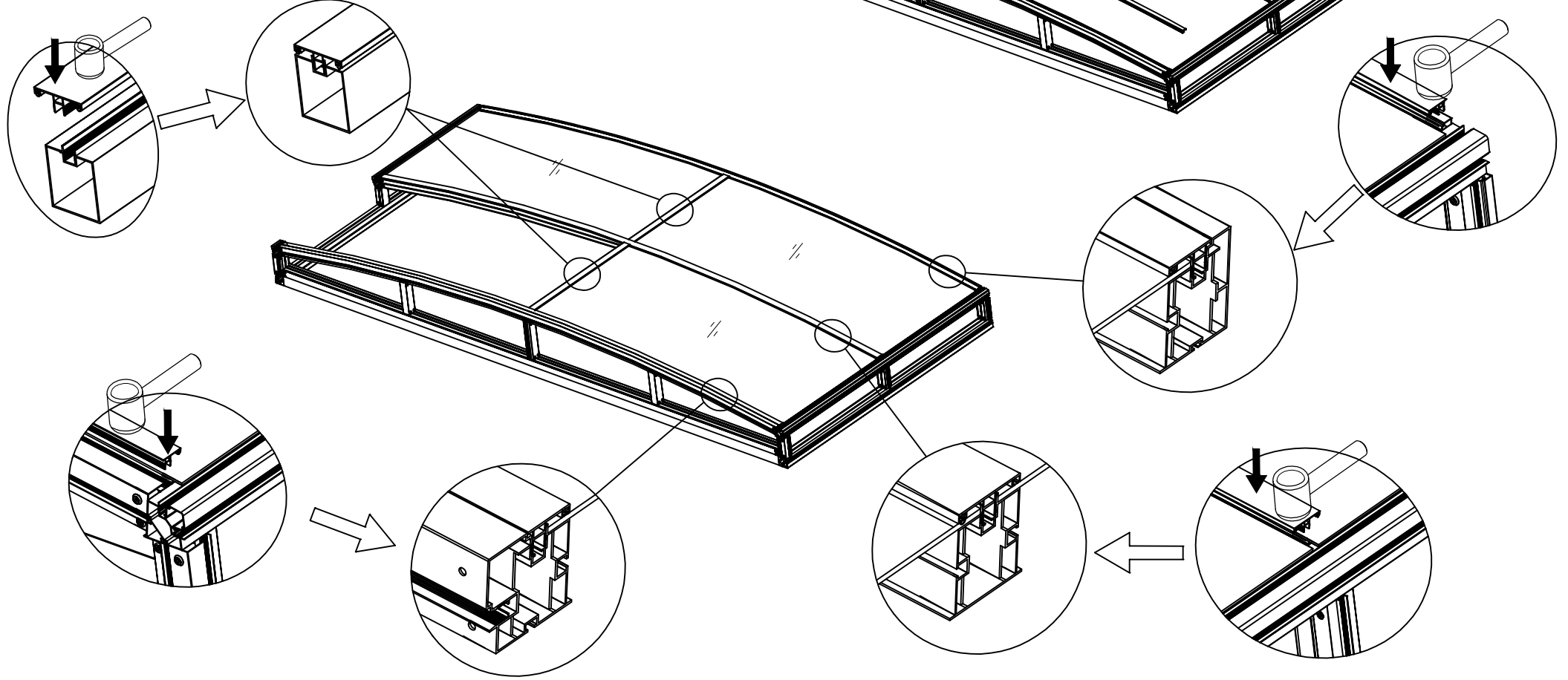
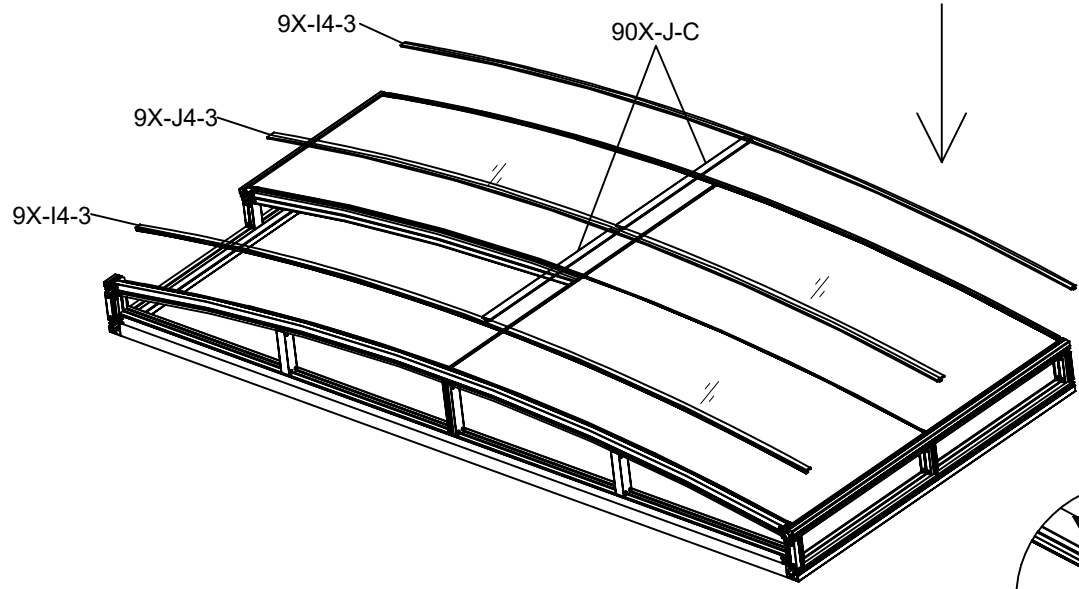
9X-E-3-R



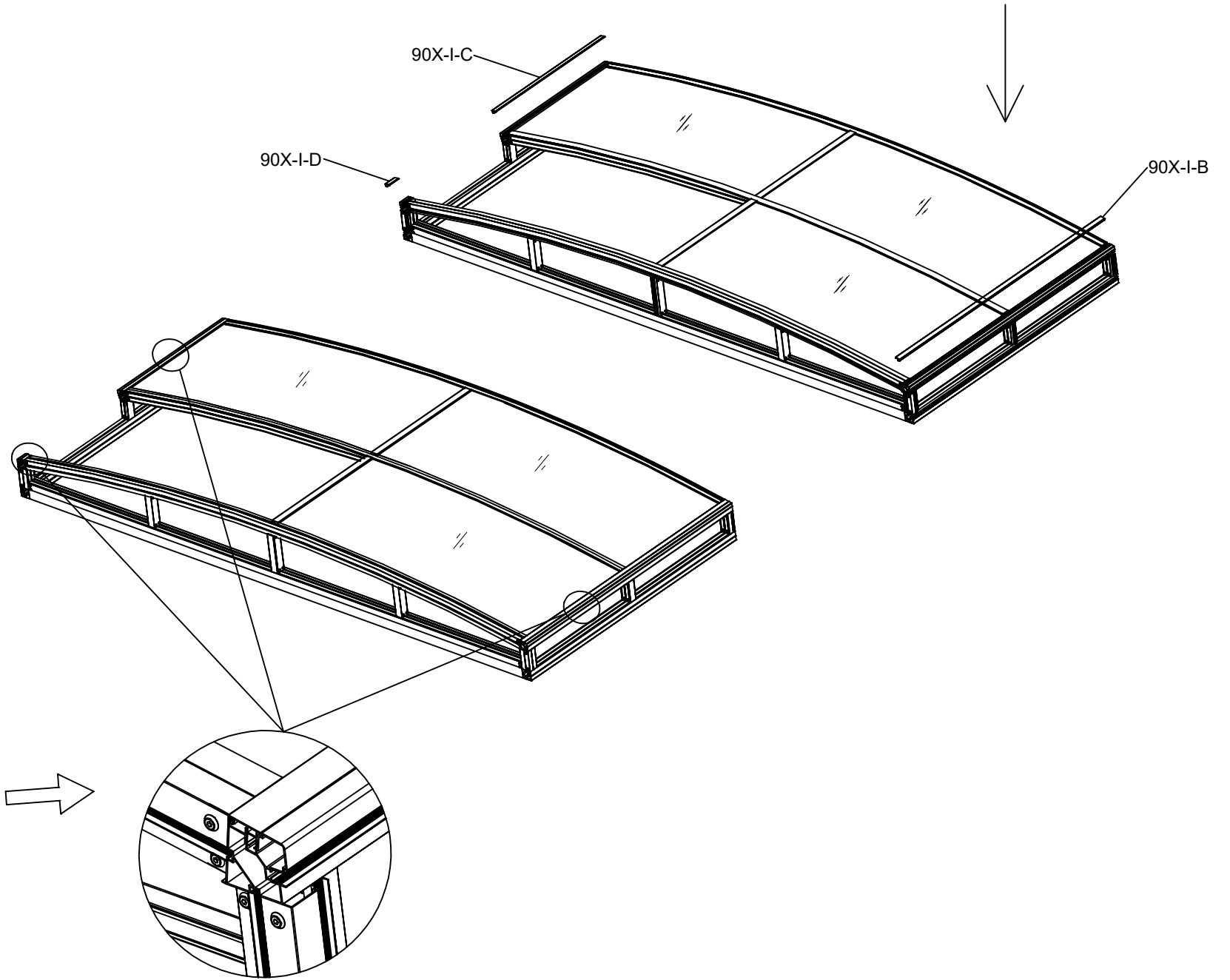
Part	product	NO.	QTY.	code
	SH9002D	1181×1238	3	G05
	SH9002D5	1181×1491		
	SH9003D	1181×1741		
	SH9003D5	1181×1992		
	SH9004D	1181×2243		
	SH9004D5	1181×2495		
	SH9005D	1181×2746		





Part	product	NO.	Length(mm)	QTY.	code
"H"	SH9002D	92X-I4-3	2455	2	9X-I4-3
	SH9002D5	925X-I4-3	2957		
	SH9003D	93X-I4-3	3460		
	SH9003D5	935X-I4-3	3962		
	SH9004D	94X-I4-3	4465		
	SH9004D5	945X-I4-3	4967		
	SH9005D	95X-I4-3	5470		
"H"	SH9002D	92X-J4-3	2455	1	9X-J4-3
	SH9002D5	925X-J4-3	2957		
	SH9003D	93X-J4-3	3460		
	SH9003D5	935X-J4-3	3962		
	SH9004D	94X-J4-3	4465		
	SH9004D5	945X-J4-3	4967		
"H"		90X-J-C	1140	2	

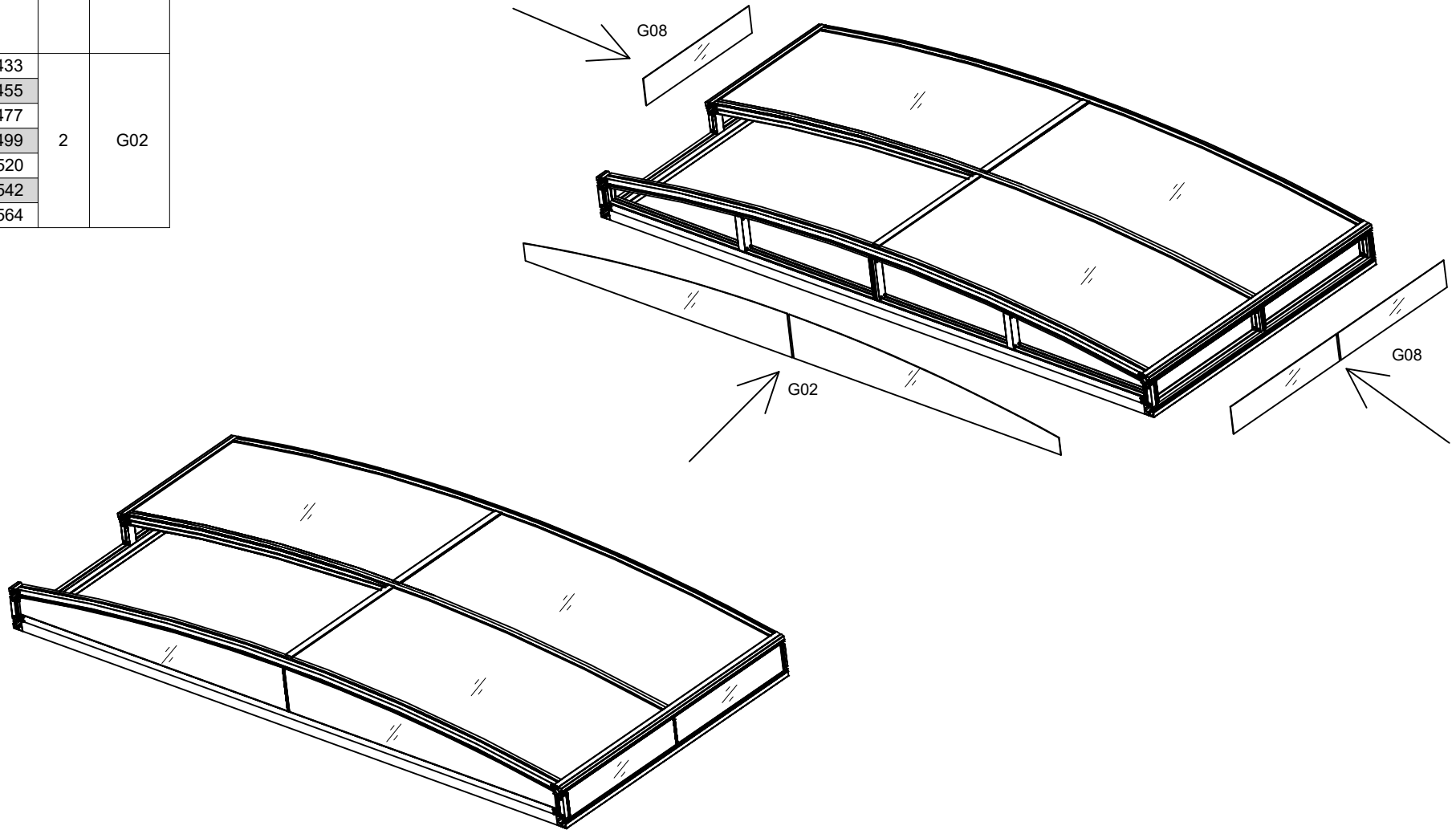


Part	NO.	Length(mm)	QTY.
▼	90X-I-B	2480	1
▼	90X-I-C	1260	1
▼	90X-I-D	80	1

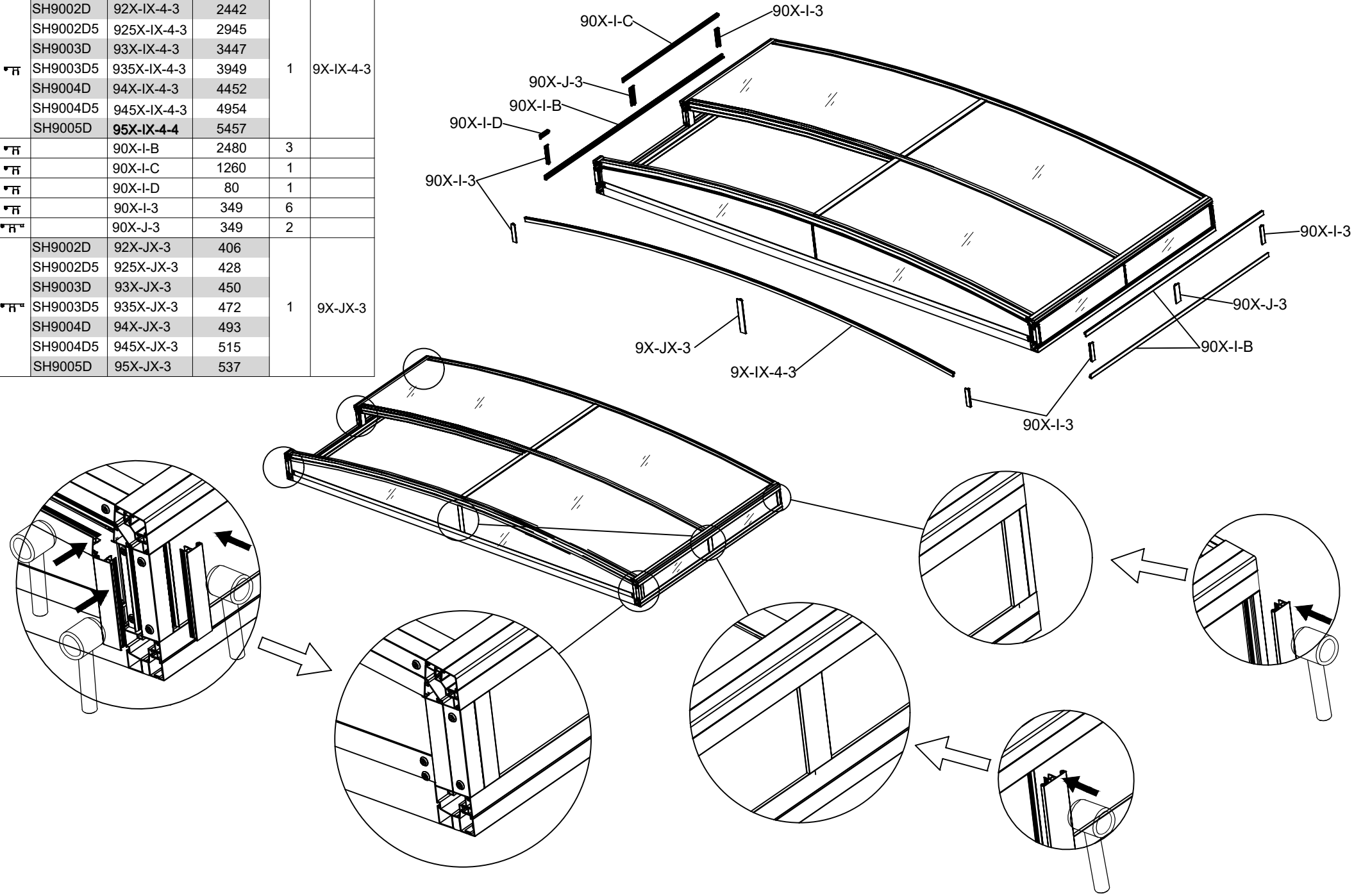









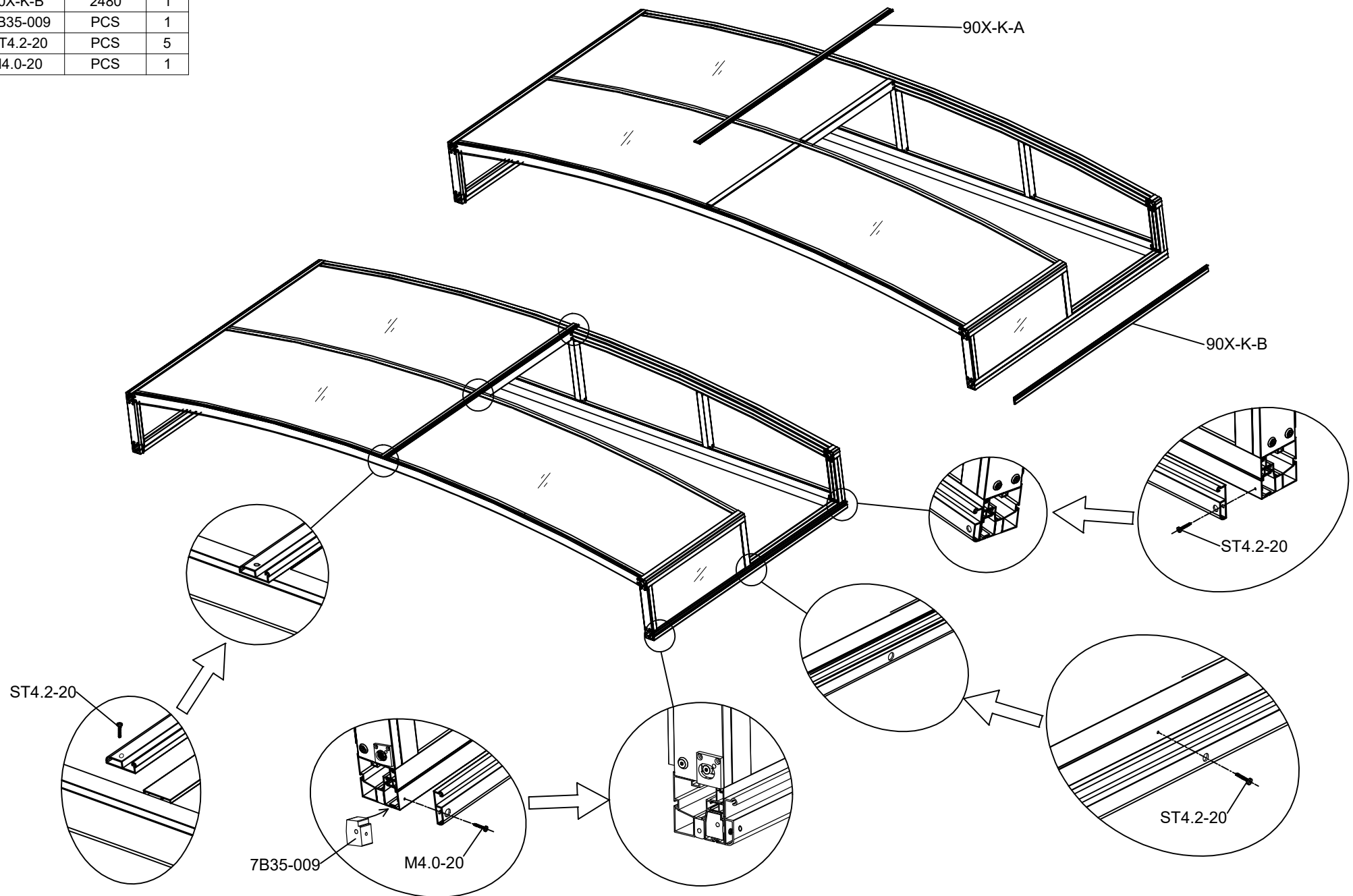
Part	product	NO.	QTY.	code
	SH9002D	1181×390	3	G08
	SH9002D5			
	SH9003D			
	SH9003D5			
	SH9004D			
	SH9004D5			
	SH9005D			
	SH9002D	1216×433	2	G02
	SH9002D5	1466×455		
	SH9003D	1717×477		
	SH9003D5	1966×499		
	SH9004D	2216×520		
	SH9004D5	2467×542		
	SH9005D	2716×564		

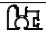
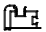
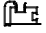
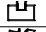



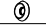


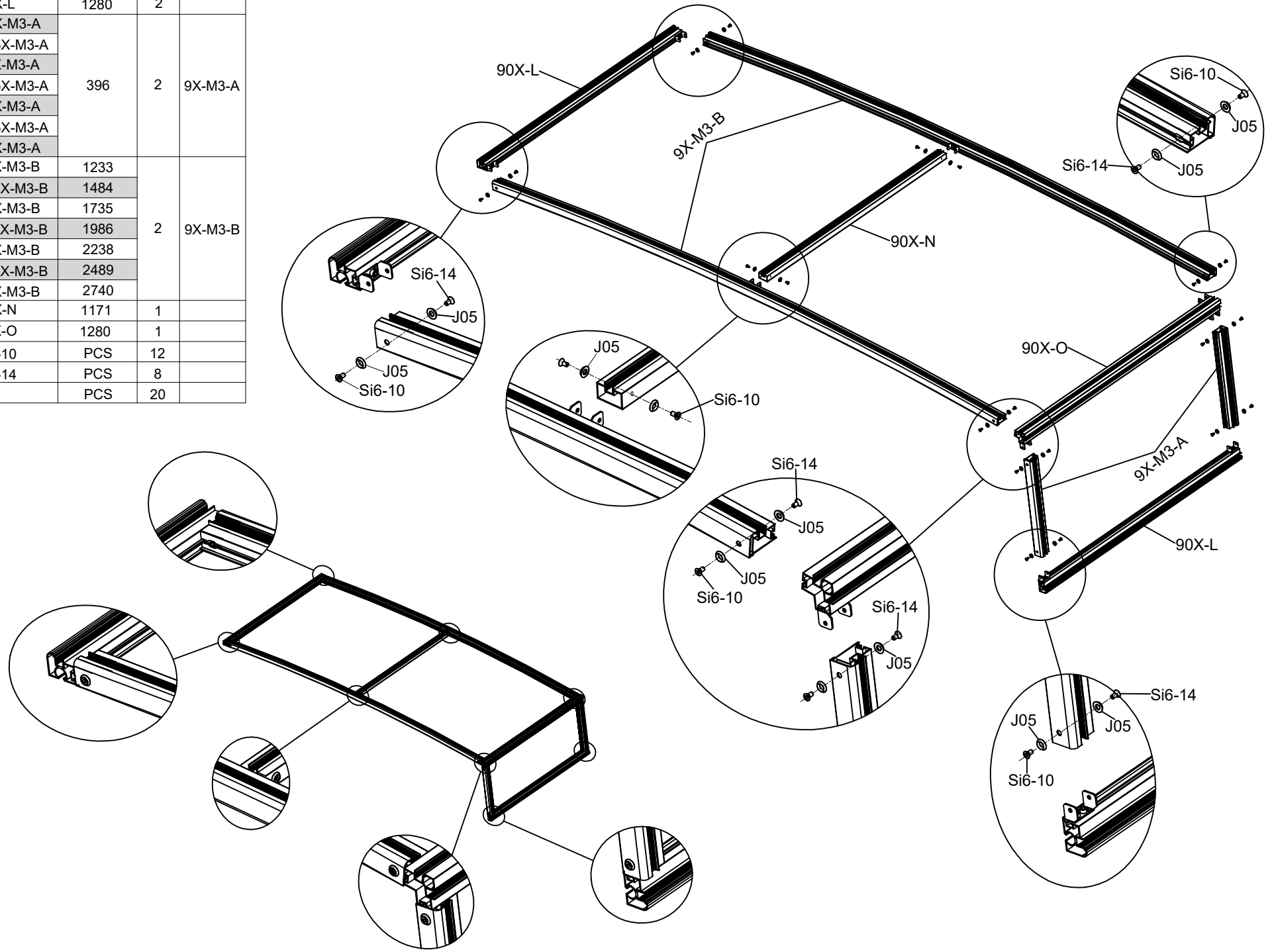
Part	product	NO.	Length(mm)	QTY.	code
H	SH9002D	92X-IX-4-3	2442	1	9X-IX-4-3
	SH9002D5	925X-IX-4-3	2945		
	SH9003D	93X-IX-4-3	3447		
	SH9003D5	935X-IX-4-3	3949		
	SH9004D	94X-IX-4-3	4452		
	SH9004D5	945X-IX-4-3	4954		
	SH9005D	<b>95X-IX-4-4</b>	5457		
H		90X-I-B	2480	3	
H		90X-I-C	1260	1	
H		90X-I-D	80	1	
H		90X-I-3	349	6	
H		90X-J-3	349	2	
H	SH9002D	92X-JX-3	406	1	9X-JX-3
	SH9002D5	925X-JX-3	428		
	SH9003D	93X-JX-3	450		
	SH9003D5	935X-JX-3	472		
	SH9004D	94X-JX-3	493		
	SH9004D5	945X-JX-3	515		
	SH9005D	95X-JX-3	537		



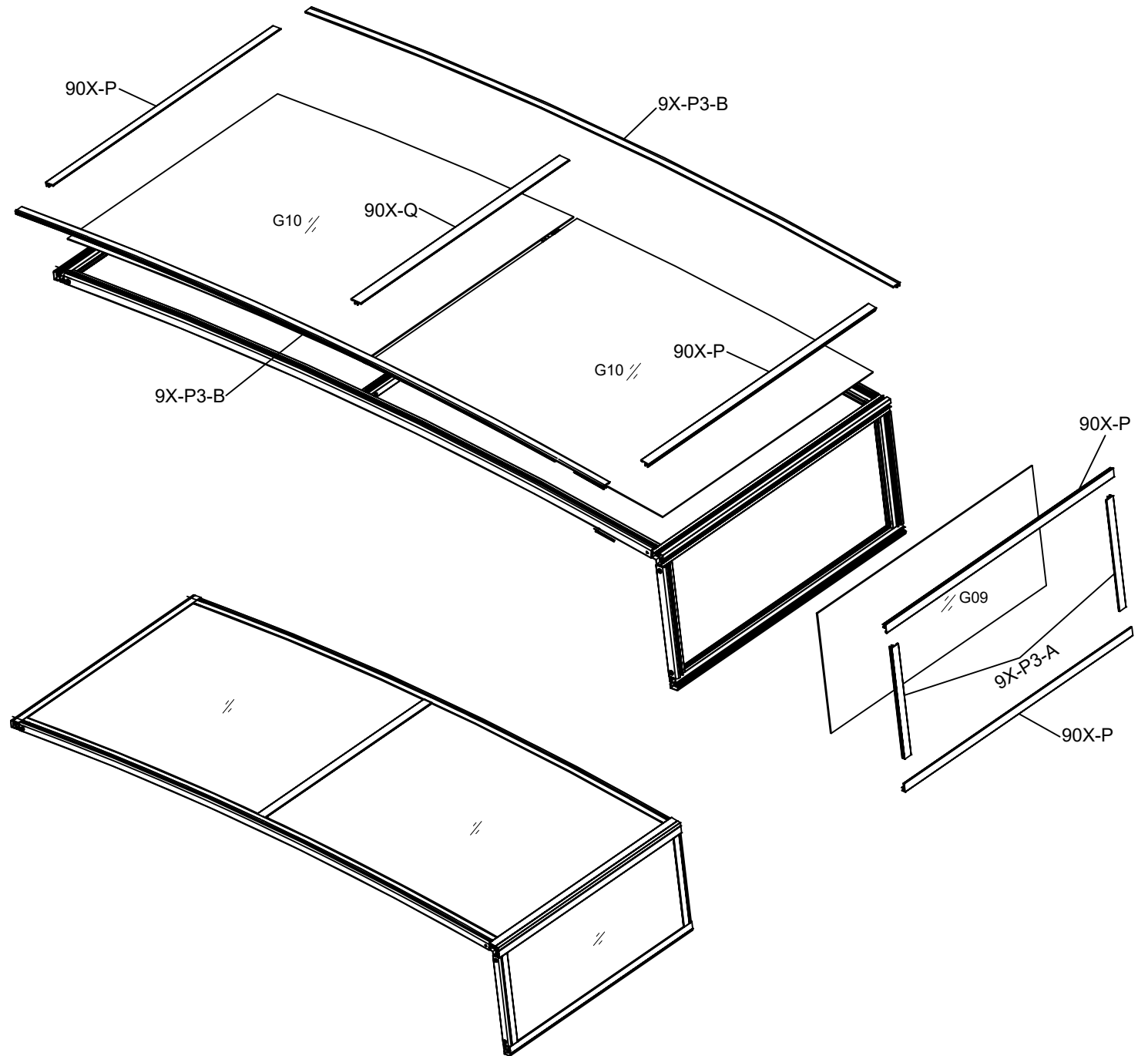
Part	NO.	Length(mm)	QTY.
	90X-K-A	2480	1
	90X-K-B	2480	1
	7B35-009	PCS	1
	ST4.2-20	PCS	5
	M4.0-20	PCS	1






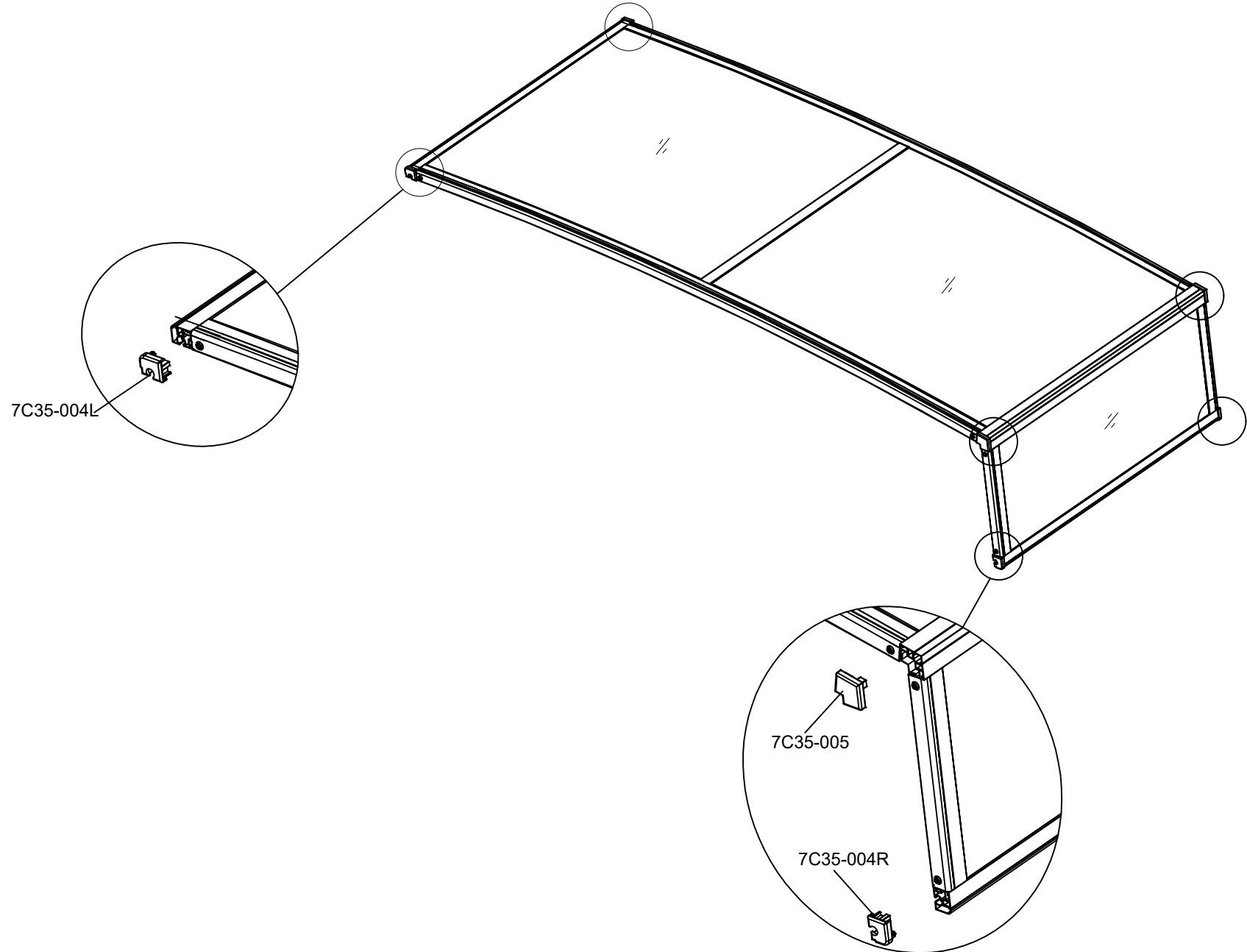
Part	product	NO.	Length(mm)	QTY.	code
		90X-L	1280	2	
	SH9002D	92X-M3-A	396	2	9X-M3-A
	SH9002D5	925X-M3-A			
	SH9003D	93X-M3-A			
	SH9003D5	935X-M3-A			
	SH9004D	94X-M3-A			
	SH9004D5	945X-M3-A			
	SH9005D	95X-M3-A			
	SH9002D	92X-M3-B	1233	2	9X-M3-B
	SH9002D5	925X-M3-B	1484		
	SH9003D	93X-M3-B	1735		
	SH9003D5	935X-M3-B	1986		
	SH9004D	94X-M3-B	2238		
	SH9004D5	945X-M3-B	2489		
	SH9005D	95X-M3-B	2740		
		90X-N	1171	1	
		90X-O	1280	1	
		Si6-10	PCS	12	
		Si6-14	PCS	8	
		J05	PCS	20	







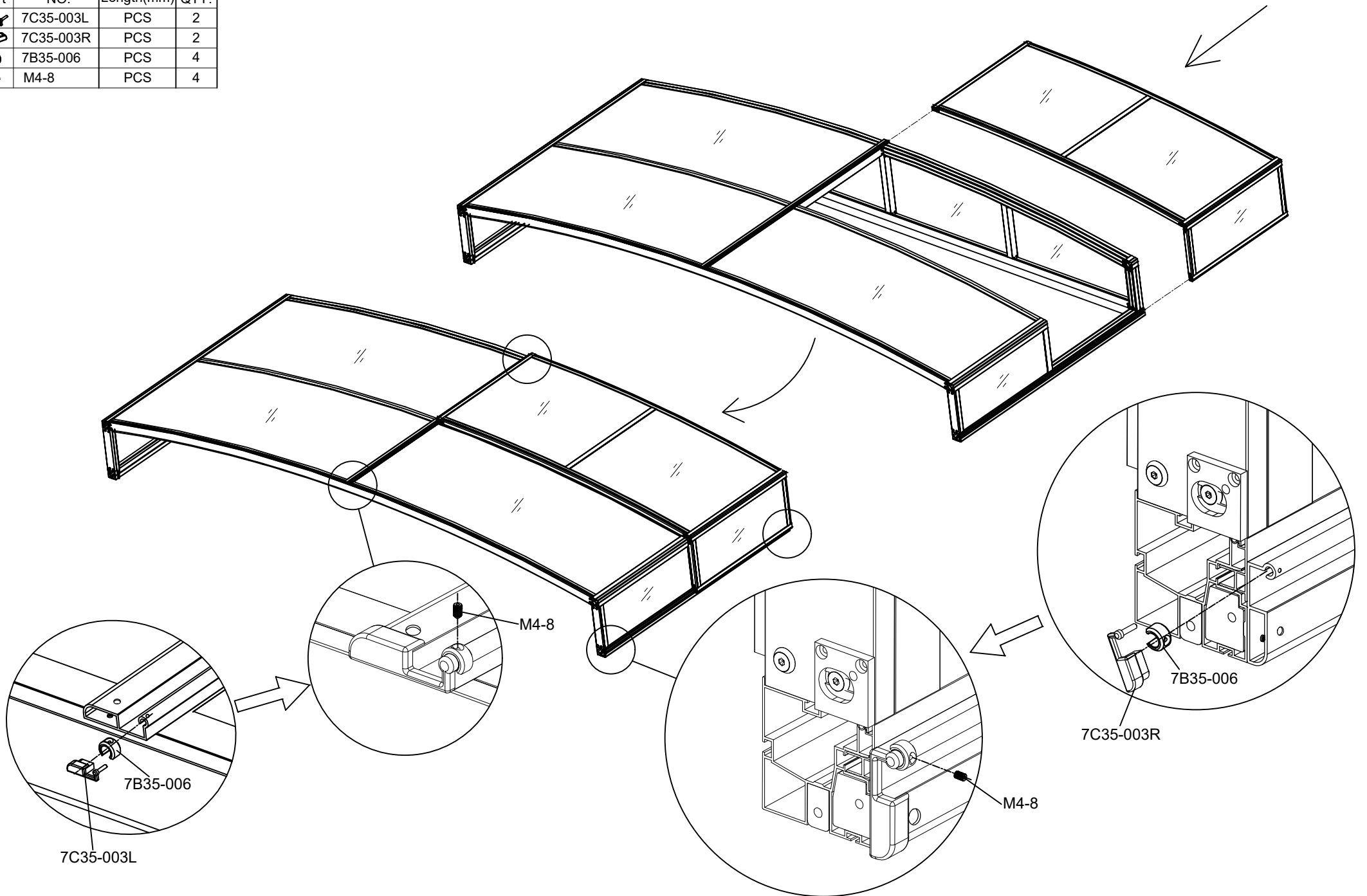
Part	product	NO.	Length(mm)	QTY.	code
▼TT	SH9002D	92X-P3-A	396	2	9X-P3-A
	SH9002D5	925XP3-A			
	SH9003D	93X-P3-A			
	SH9003D5	935X-P3-A			
	SH9004D	94X-P3-A			
	SH9004D5	945X-P3-A			
	SH9005D	95X-P3-A			
▼TT	SH9002D	92X-P3-B	1233	2	9X-P3-B
	SH9002D5	925X-P3-B			
	SH9003D	93X-P3-B			
	SH9003D5	935X-P3-B			
	SH9004D	94X-P3-B			
	SH9004D5	945X-P3-B			
	SH9005D	95X-P3-B			
☐	SH9002D	1208×428		1	G09
	SH9002D5				
	SH9003D				
	SH9003D5				
	SH9004D				
	SH9004D5				
	SH9005D				
☐	SH9002D	1208×625		2	G10
	SH9002D5	1208×750			
	SH9003D	1208×876			
	SH9003D5	1208×1002			
	SH9004D	1208×1127			
	SH9004D5	1208×1253			
	SH9005D	1208×1378			
▼TT		90X-P	1280	4	
▼TT		90X-Q	1171	1	










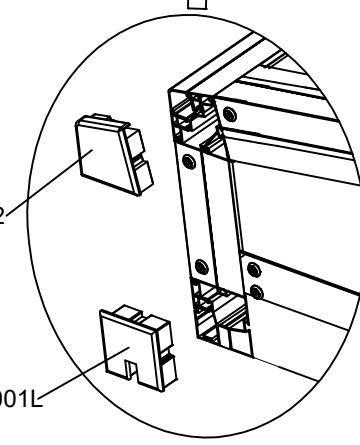
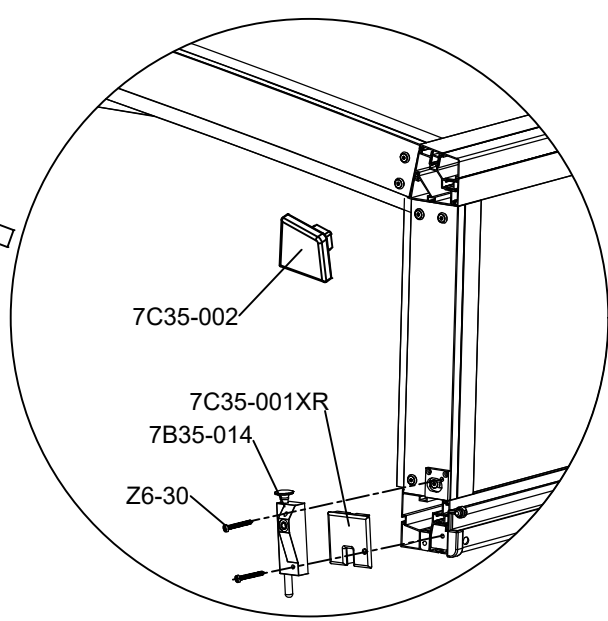
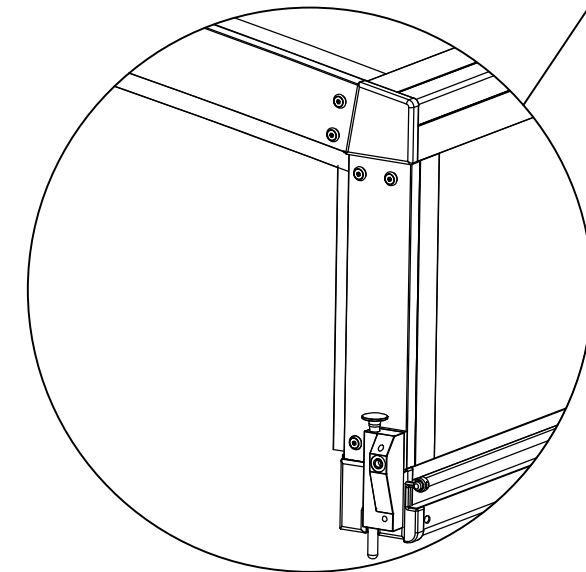
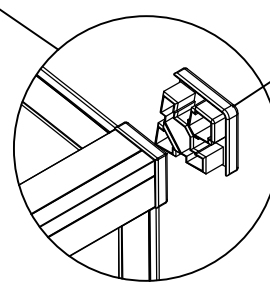
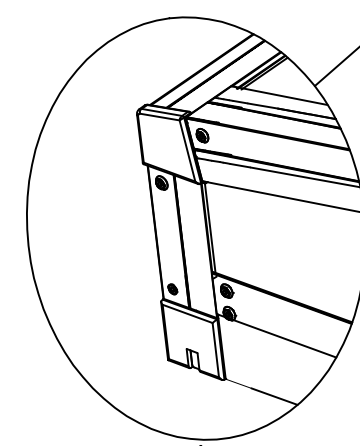
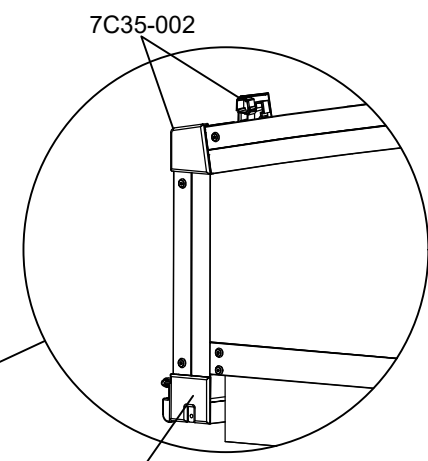
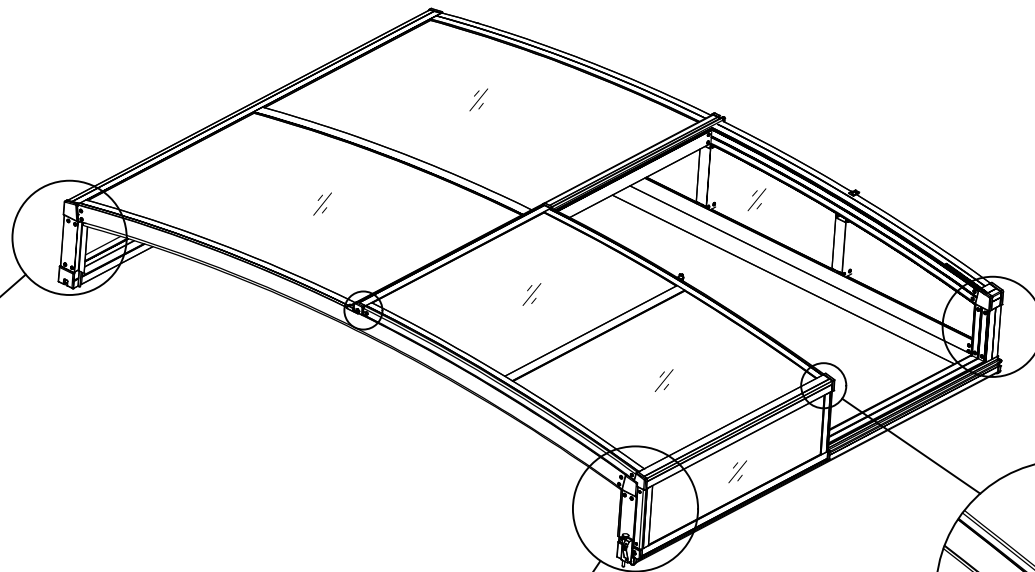
Part	NO.	Length(mm)	QTY.
	7C35-004L	PCS	2
	7C35-004R	PCS	2
	7C35-005	PCS	2






Part	NO.	Length(mm)	QTY.
	7C35-003L	PCS	2
	7C35-003R	PCS	2
	7B35-006	PCS	4
	M4-8	PCS	4

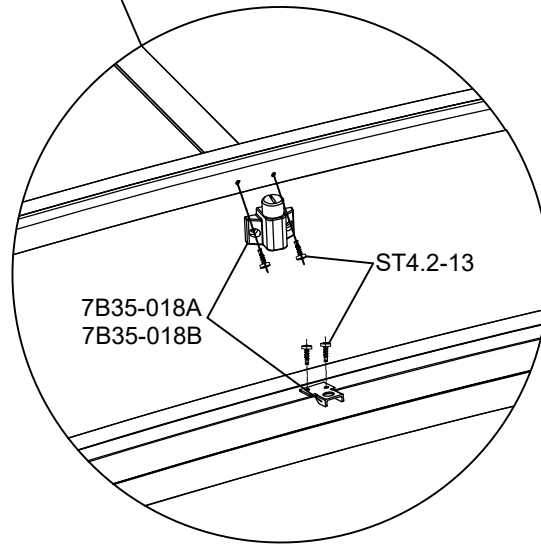
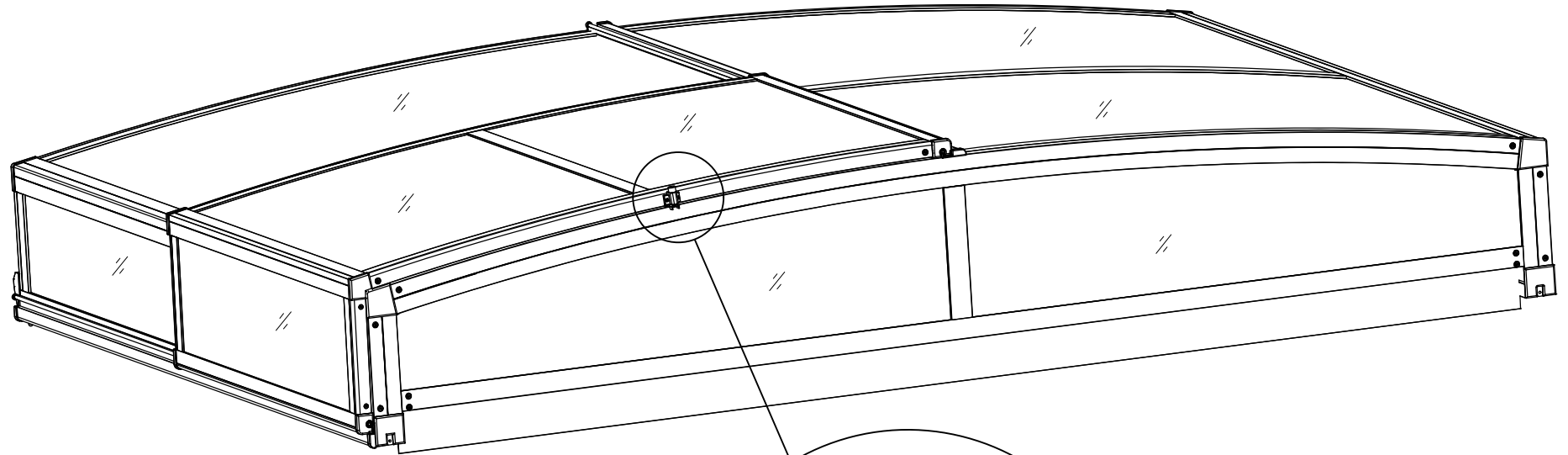


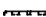
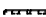



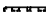


Part	NO.	Length(mm)	QTY.
	7C35-001L	PCS	1
	7C35-001R	PCS	1
	7C35-001XL	PCS	1
	7C35-001XR	PCS	1
	7C35-002	PCS	6
	7B35-014	PCS	1
	Z6-30	PCS	2

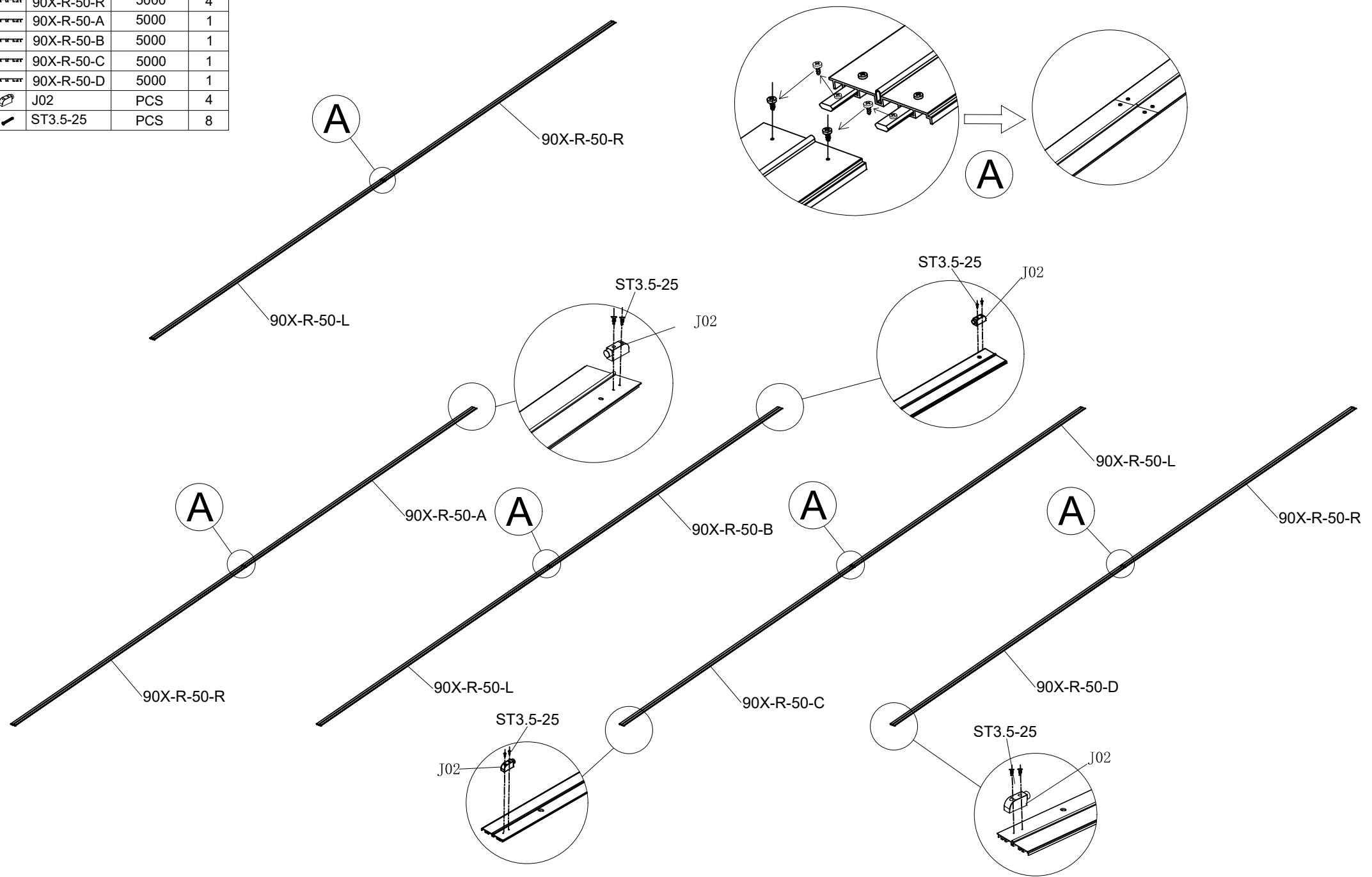







Part	NO.	Length(mm)	QTY.
	7B35-018A	PCS	1
	7B35-018B	PCS	1
	ST4.2-13	PCS	4

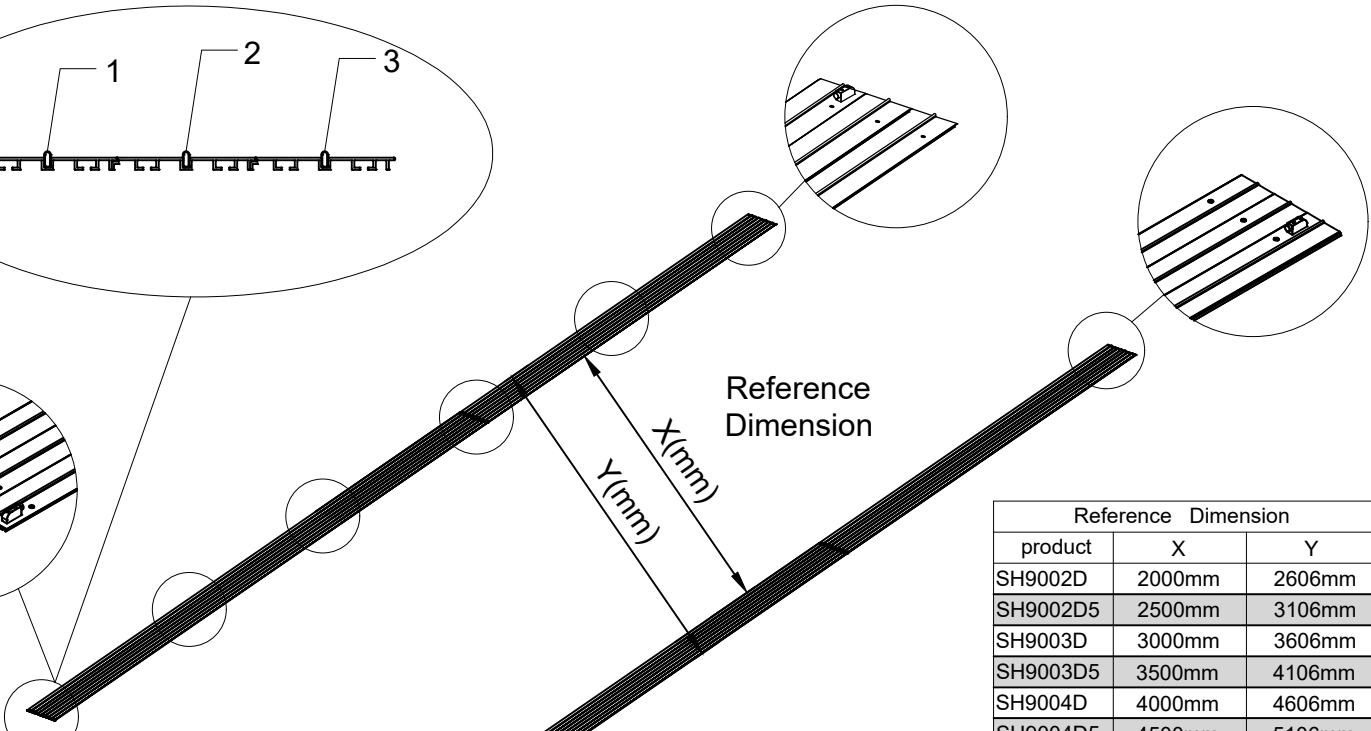
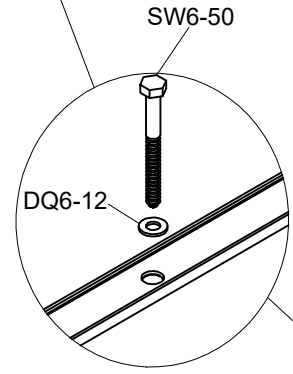
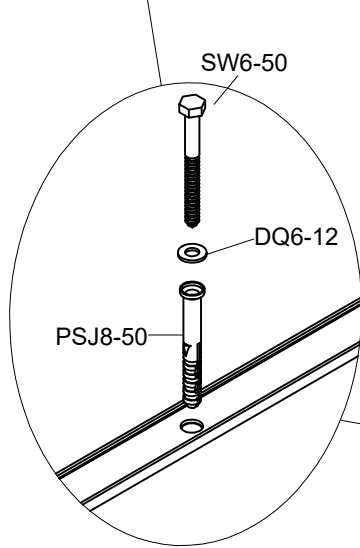
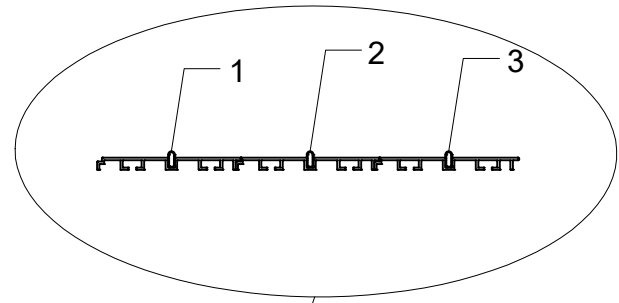
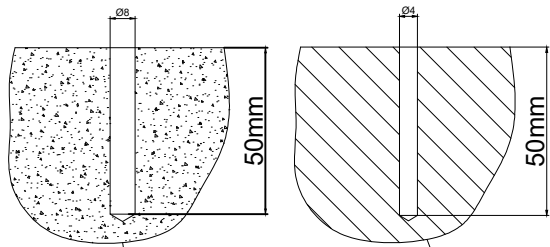


Part	NO.	Length(mm)	QTY.
	90X-R-50-L	5000	4
	90X-R-50-R	5000	4
	90X-R-50-A	5000	1
	90X-R-50-B	5000	1
	90X-R-50-C	5000	1
	90X-R-50-D	5000	1
	J02	PCS	4
	ST3.5-25	PCS	8

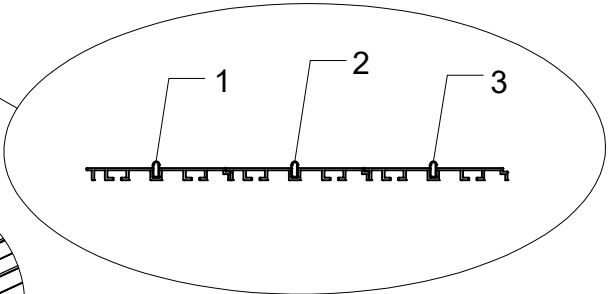
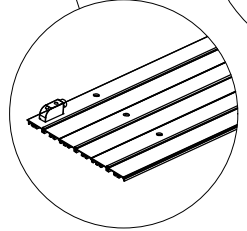
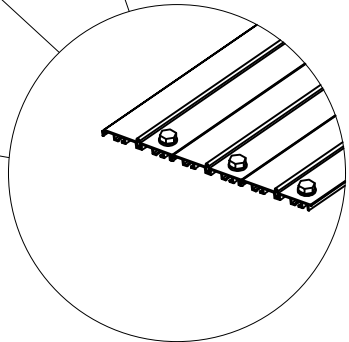


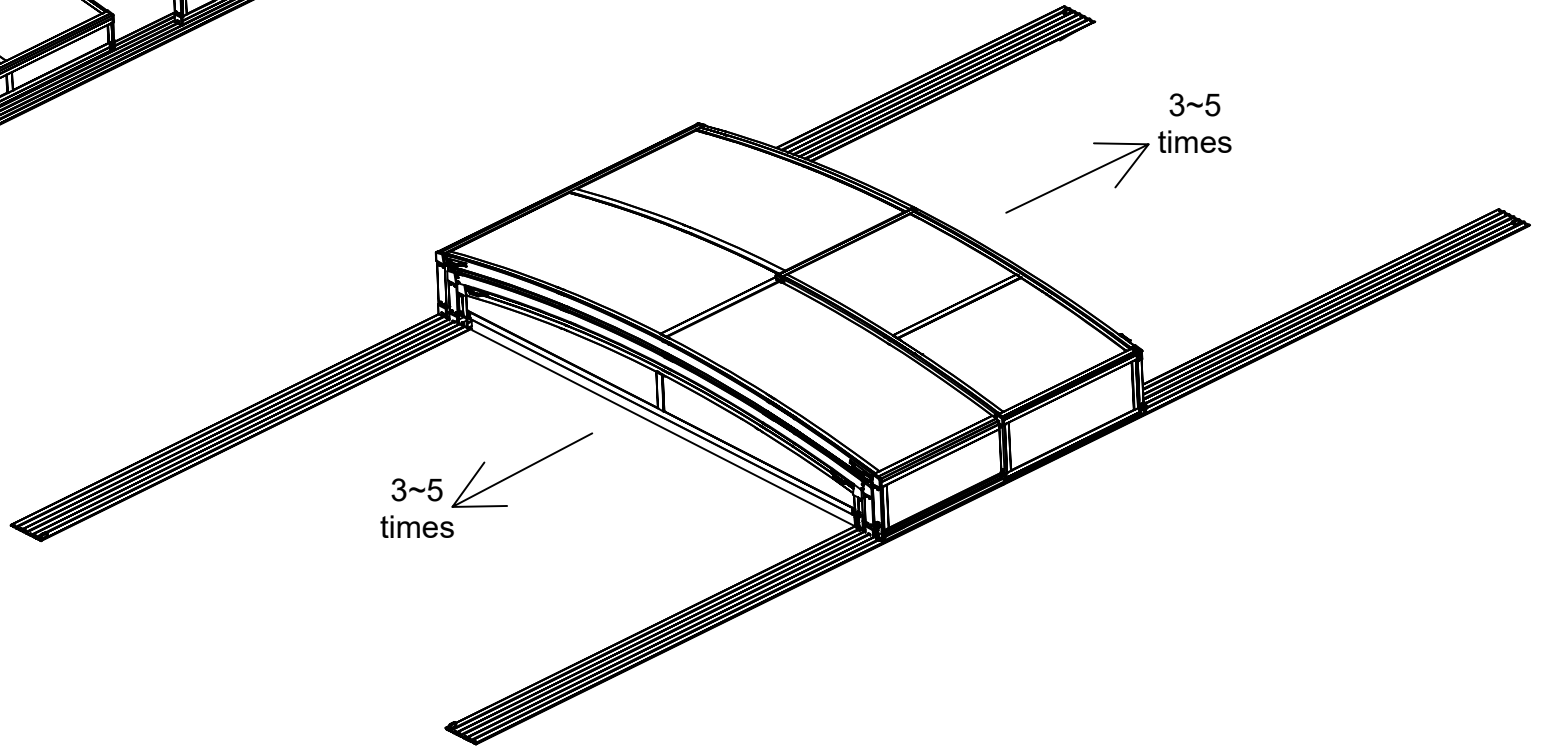
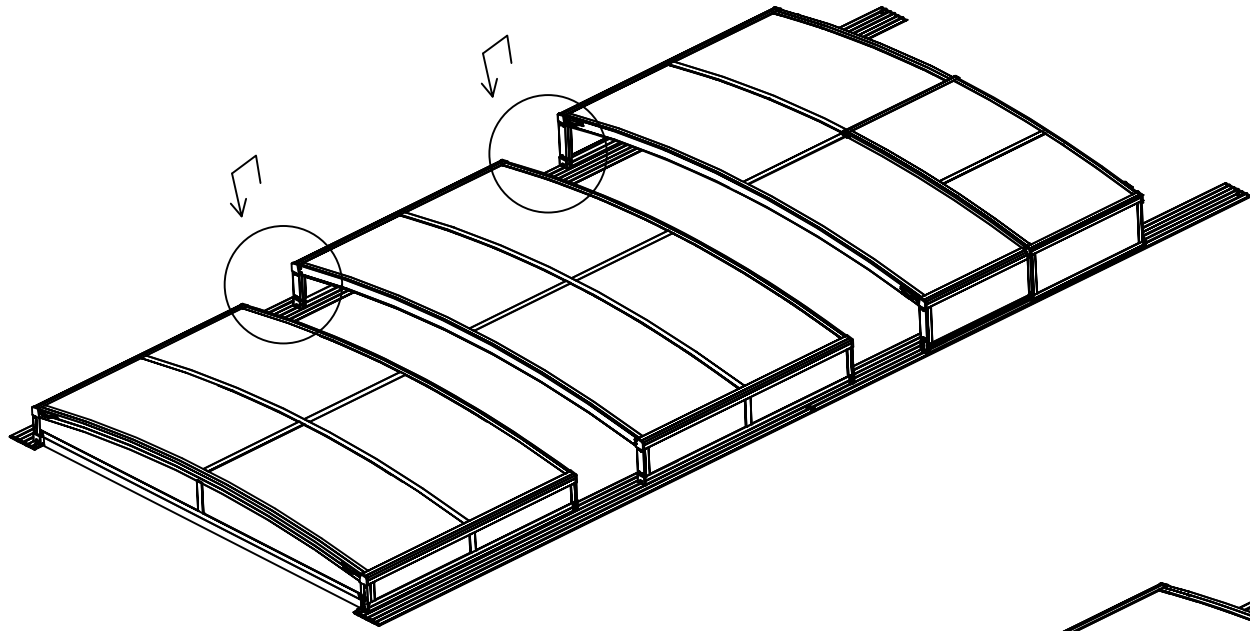
Part	NO.	Length(mm)	QTY.
	PSJ8-50	PCS	18
	DQ6-12	PCS	18
	SW6-50	PCS	18




For concrete or For wood



Reference Dimension		
product	X	Y
SH9002D	2000mm	2606mm
SH9002D5	2500mm	3106mm
SH9003D	3000mm	3606mm
SH9003D5	3500mm	4106mm
SH9004D	4000mm	4606mm
SH9004D5	4500mm	5106mm
SH9005D	5000mm	5606mm



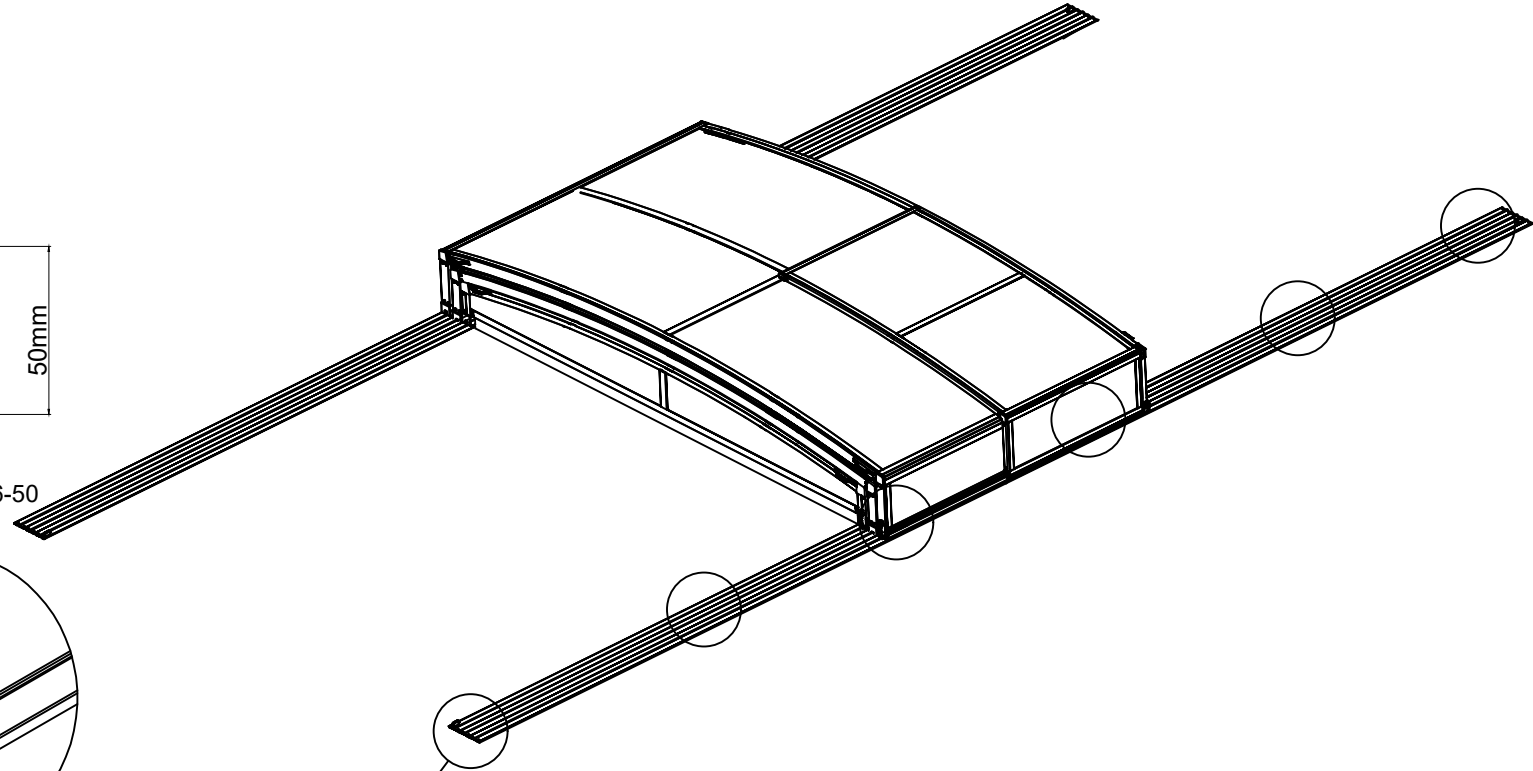
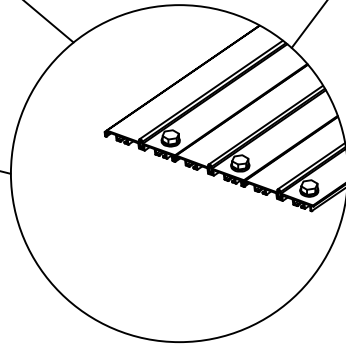
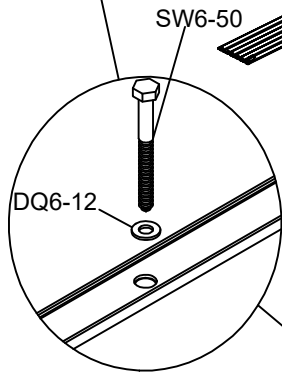
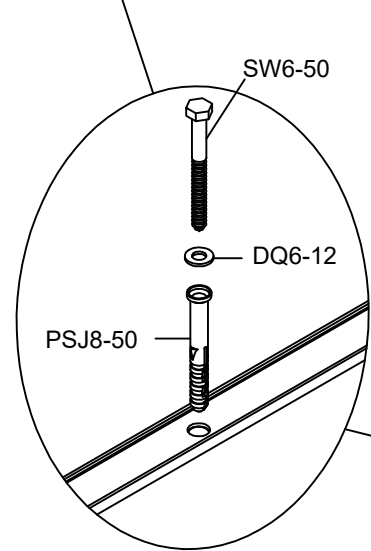
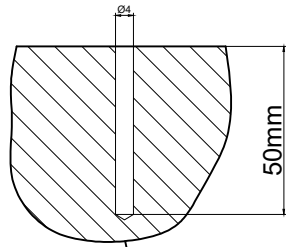
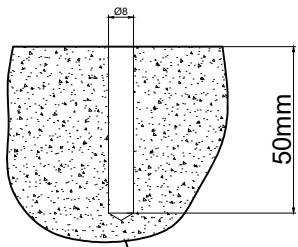




Part	NO.	Length(mm)	QTY.
	PSJ8-50	PCS	18
	DQ6-12	PCS	18
	SW6-50	PCS	18

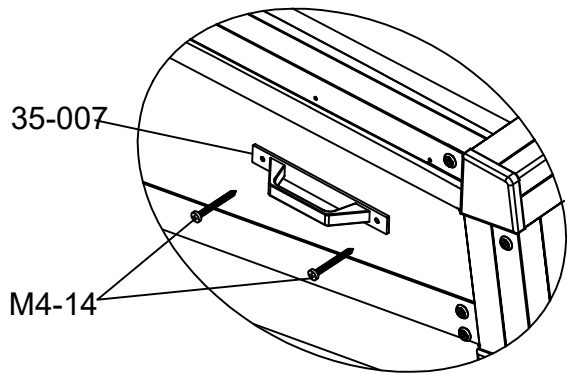
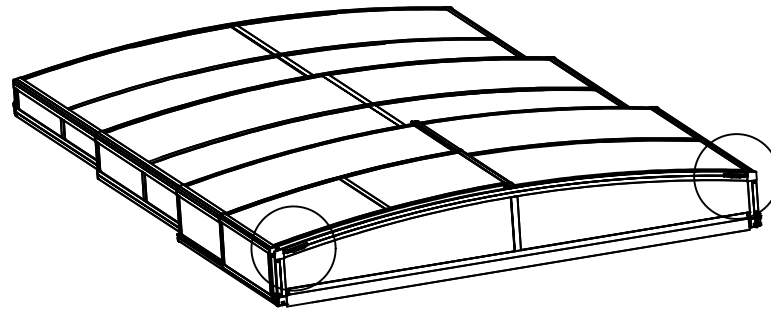
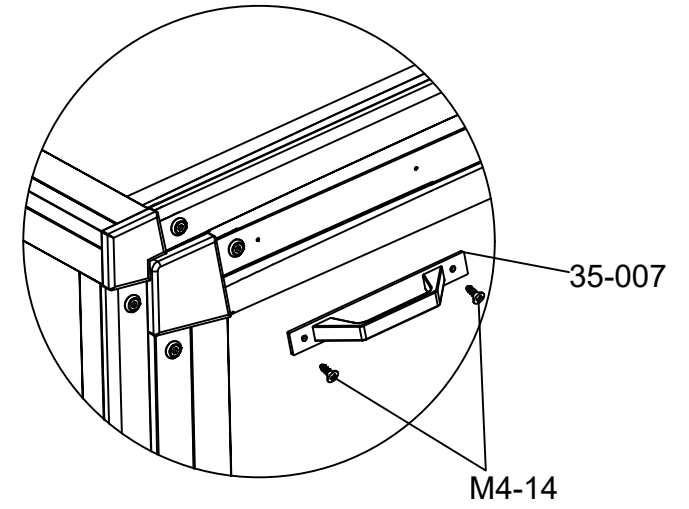
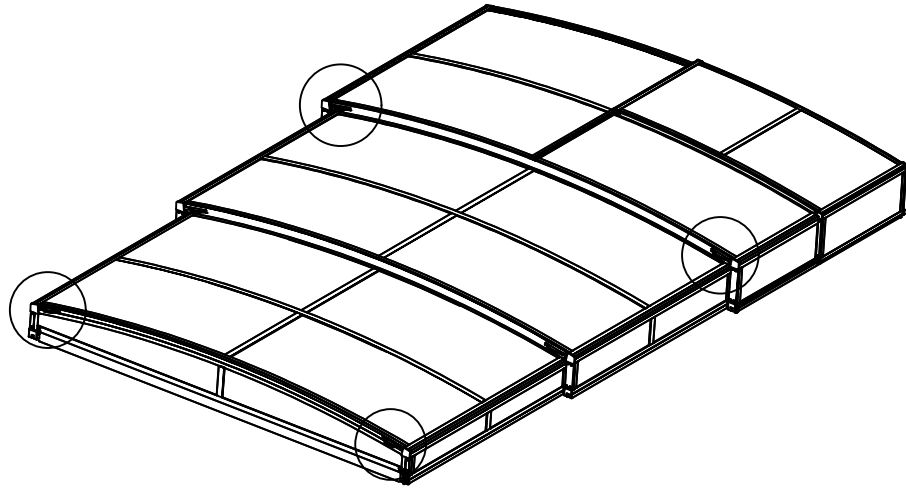
For  
Concrete

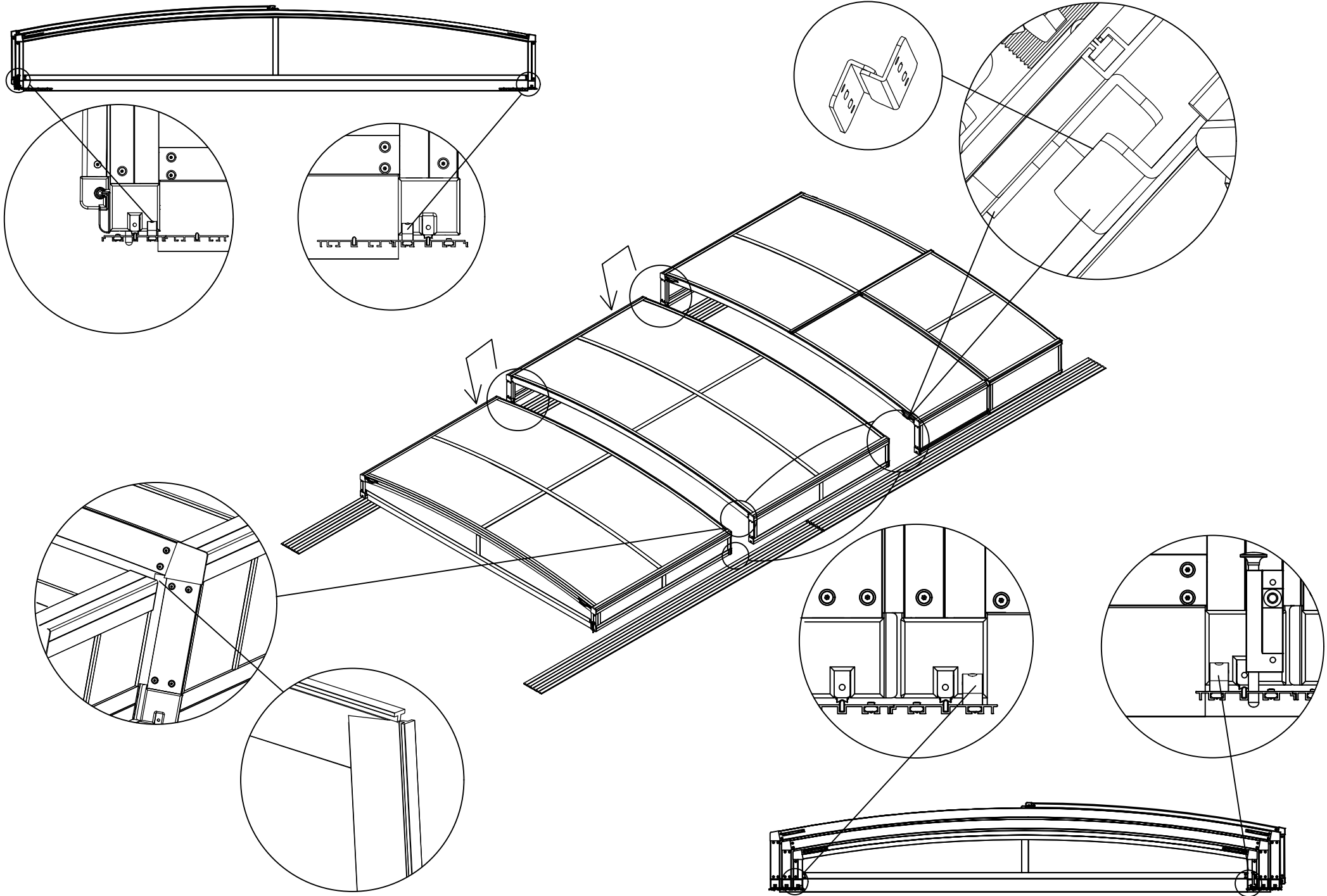
Or

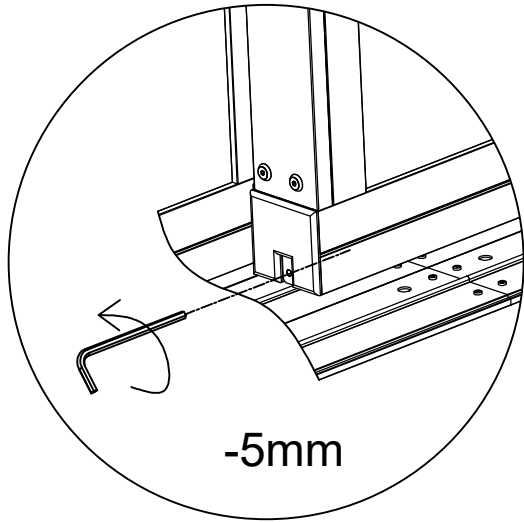
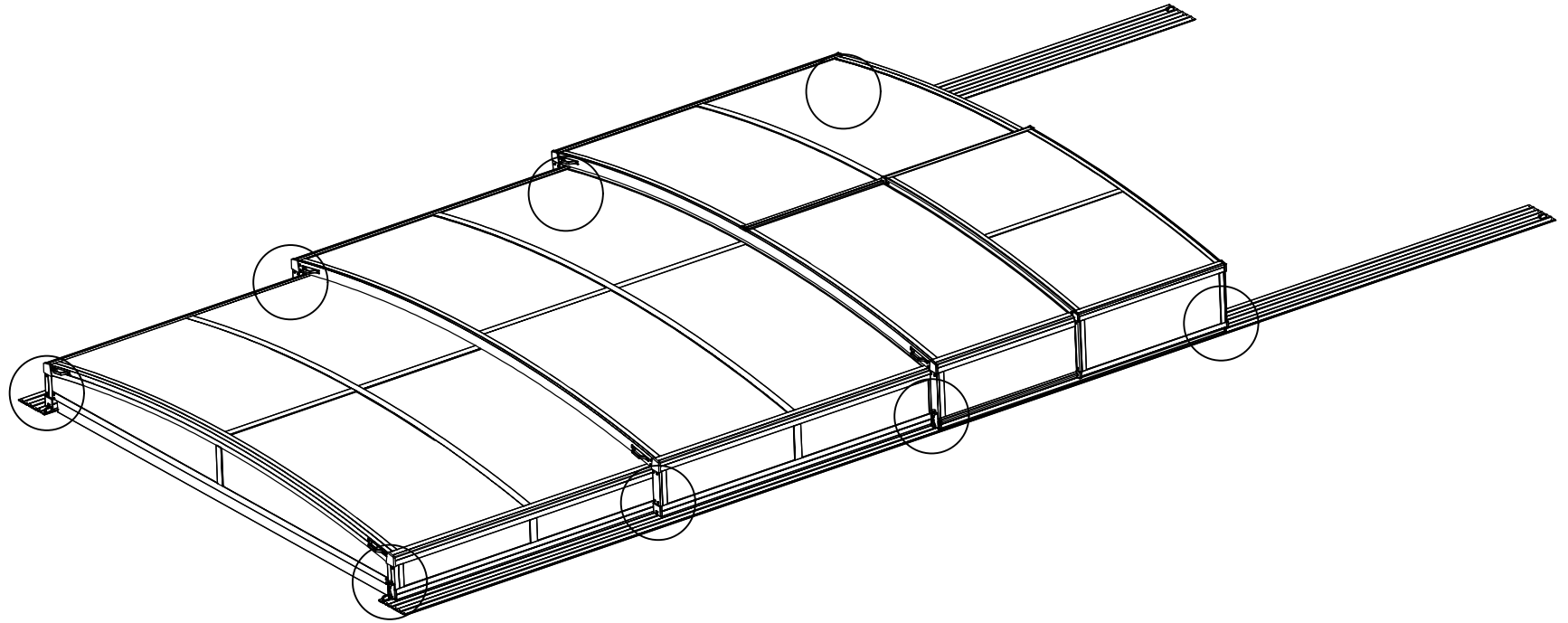
For  
Wood



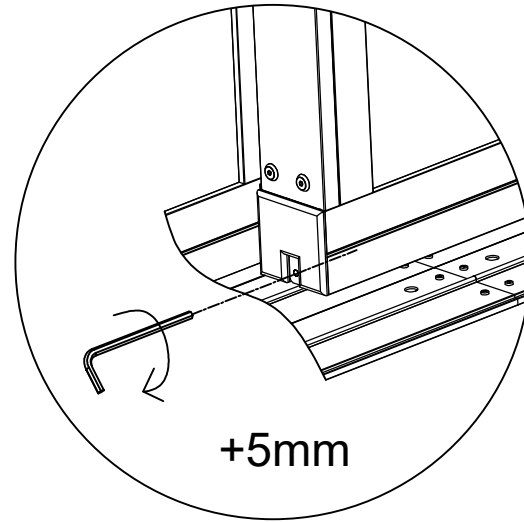
Part	NO.	QTY.	Length(mm)
	7B35-007	6	PCS
	M4-14	12	PCS







-5mm



+5mm



