

SH9002B	SH9002B5	SH9003B	SH9003B5	SH9004B	SH9004B5	SH9005B
482×237×54cm 468×200×36cm 750×240cm 750×200cm	482×288×56cm 468×250×38cm 750×240cm 750×250cm	482×337×58cm 468×300×40cm 750×240cm 750×300cm	482×387×60cm 468×350×42cm 750×240cm 750×350cm	482×437×63cm 468×400×44cm 750×240cm 750×400cm	482×487×65cm 468×450×46cm 750×240cm 750×450cm	482×537×67cm 468×500×48cm 750×240cm 750×500cm

Outer Size (L×W×H):
Inner Size (L×W×H):
Rail Outer Size (L×W):
Rail Inner Size (L×W):

Yttere storlek (L×B×H):
Inre storlek (L×B×H):
Räls yttre storlek (L×B):
Räls inre storlek (L×B):

Udvendig størrelse (L×B×H):
Indvendig størrelse (L×B×H):
Skinne ydre størrelse (L×B):
Skinne indre størrelse (L×B):

Ytre størrelse (L×B×H):
Indre størrelse (L×B×H):
Skinne ytre størrelse (L×B):
Skinne indre størrelse (L×B):

Ulompi koko (P×L×K):
Sisäinen koko (P×L×K):
Kiskon ulkokoko (P×L):
Kiskon sisäkoko (P×L):

Please read carefully before assembling
Two people are needed

Läs noggrant innan montering.
Det krävs två personer för montering.

Les monteringsanvisningen nøye innen montering.
Det kreves to personer for montering.

Læs venligst omhyggeligt, før montering.
Der kræves to personer til montering.

Lue ohjeet huolellisesti läpi ennen asentamista.
Asentamiseen tarvitaan kaksi henkilöä.

Part	product	NO.	Length(mm)	QTY.	code	Page
	SH9002B	92X-A4-1	2036	1	9X-A4-1	P1
	SH9002B5	925X-A4-1	2538			
	SH9003B	93X-A4-1	3041			
	SH9003B5	935X-A4-1	3543			
	SH9004B	94X-A4-1	4046			
	SH9004B5	945X-A4-1	4548			
	SH9005B	95X-A4-1	5051			
	SH9002B	92X-A4-2	2245	1	9X-A4-2X	P11
	SH9002B5	925X-A4-2	2747			
	SH9003B	93X-A4-2	3250			
	SH9003B5	935X-A4-2	3752			
	SH9004B	94X-A4-2	4255			
	SH9004B5	945X-A4-2	4758			
	SH9005B	95X-A4-2	5260			
		90X-A-1	180	2		P2
		90X-A-2X	265	1		P12
		90X-A-2S	265	1		P12
	SH9002B	92X-B4-1	2036	1	9X-B4-1	P1
	SH9002B5	925X-B4-1	2538			
	SH9003B	93X-B4-1	3041			
	SH9003B5	935X-B4-1	3543			
	SH9004B	94X-B4-1	4046			
	SH9004B5	945X-B4-1	4548			
	SH9005B	95X-B4-1	5051			
		SH9002B	92X-B4-2			
SH9002B5		925X-B4-2	2747			
SH9003B		93X-B4-2	3250			
SH9003B5		935X-B4-2	3752			
SH9004B		94X-B4-2	4255			
SH9004B5		945X-B4-2	4758			
SH9005B		95X-B4-2	5260			
			90X-B-1	180	2	
		90X-B-2	265	2		P12
	SH9002B	92X-C4-1	2036	1	9X-C4-1	P1
	SH9002B5	925X-C4-1	2538			
	SH9003B	93X-C4-1	3041			
	SH9003B5	935X-C4-1	3543			
	SH9004B	94X-C4-1	4046			
	SH9004B5	945X-C4-1	4548			
	SH9005B	95X-C4-1	5051			
	SH9002B	92X-C4-2	2245	1	9X-C4-2	P11
	SH9002B5	925X-C4-2	2747			
	SH9003B	93X-C4-2	3250			
	SH9003B5	935X-C4-2	3752			
	SH9004B	94X-C4-2	4255			
	SH9004B5	945X-C4-2	4758			

Part	product	NO.	Length(mm)	QTY.	code	Page
	SH9005B	95X-C4-2	5260			
		90X-C4-1-L	180	1		P2
		90X-C4-1-R	180	1		P2
		90X-C4-2-L	265	1		P12
		90X-C4-2-R	265	1		P12
		90X-D-A	1099	2		P1
		90X-D-C	1140	2		P11
	SH9002B	92X-DX-1	200	1	9X-DX-1	P4
	SH9002B5	925X-DX-1	222			
	SH9003B	93X-DX-1	244			
	SH9003B5	935X-DX-1	266			
	SH9004B	94X-DX-1	288			
	SH9004B5	945X-DX-1	310			
	SH9005B	95X-DX-1	331			
	SH9002B	92X-DX-2	303	1	9X-DX-2	P14
	SH9002B5	925X-DX-2	325			
	SH9003B	93X-DX-2	347			
	SH9003B5	935X-DX-2	369			
	SH9004B	94X-DX-2	391			
	SH9004B5	945X-DX-2	413			
		90X-E-A	1099	4		P1
		90X-E-C	1140	3		P11
	SH9002B	92X-E-1-L	183	1	9X-E-1-L	P4
	SH9002B5	925X-E-1-L	199			
	SH9003B	93X-E-1-L	215			
	SH9003B5	935X-E-1-L	232			
	SH9004B	94X-E-1-L	248			
	SH9004B5	945X-E-1-L	265			
	SH9005B	95X-E-1-L	281			
		SH9002B	92X-E-1-R			
SH9002B5		925X-E-1-R	199			
SH9003B		93X-E-1-R	215			
SH9003B5		935X-E-1-R	232			
SH9004B		94X-E-1-R	248			
SH9004B5		945X-E-1-R	265			
SH9005B		95X-E-1-R	281			
	SH9002B	92X-E-2-L	281	1	9X-E-2-L	P14
	SH9002B5	925X-E-2-L	286			
	SH9003B	93X-E-2-L	314			
	SH9003B5	935X-E-2-L	330			
	SH9004B	94X-E-2-L	347			
	SH9004B5	945X-E-2-L	363			
	SH9005B	95X-E-2-L	379			
	SH9002B	92X-E-2-R	281			
	SH9002B5	925X-E-2-R	286			
	SH9003B	93X-E-2-R	314			

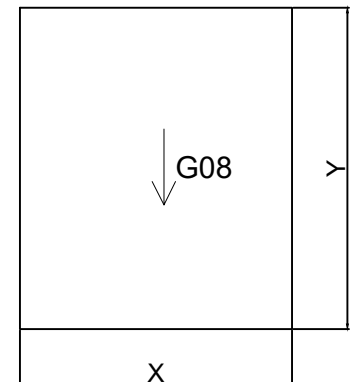
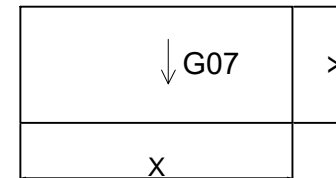
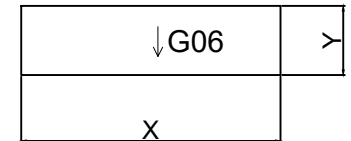
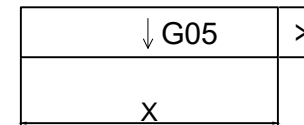
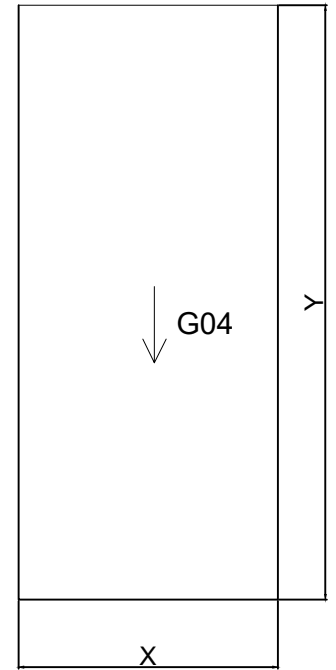
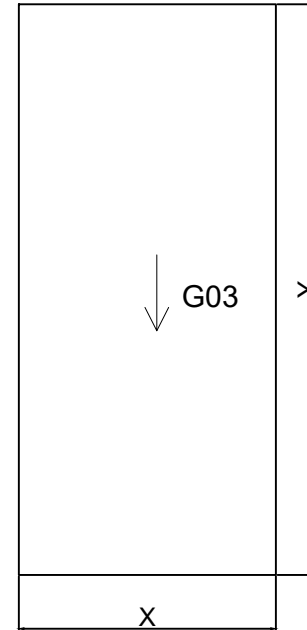
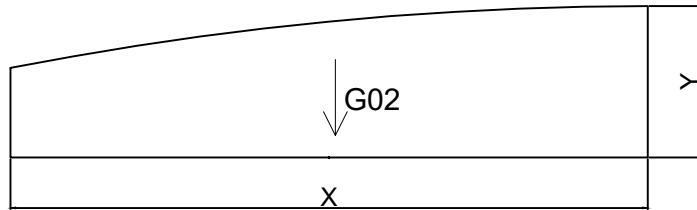
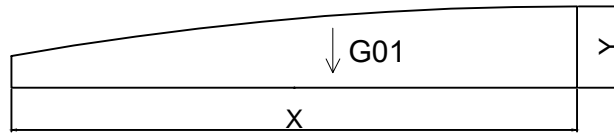
Part	product	NO.	Length(mm)	QTY.	code	Page
	SH9003B5	935X-E-2-R	330	1	9X-E-2-R	P14
	SH9004B	94X-E-2-R	347			
	SH9004B5	945X-E-2-R	363			
	SH9005B	95X-E-2-R	379			
		90X-F-A-L	2400			
		90X-F-A-R	2400	1		P2
		90X-F-B	2480	1		P12
		90X-F-C	1260	1		P12
		90X-F-D	80	1		P12
		90X-G-A-L	2400	1		P2
		90X-G-A-R	2400	1		P2
		90X-G-C-L	2480	1		P12
		90X-G-C-R	2480	1		P12
	SH9002B	90X-H2	2003	1	9X-HX	P4
	SH9002B5	90X-H25	2503			
	SH9003B	90X-H3	3003			
	SH9003B5	90X-H35	3503			
	SH9004B	90X-H4	4003			
	SH9004B5	90X-H45	4503			
	SH9005B	90X-H5	5003			
	SH9002B	90X-H2-2	2210	1	9X-HX-2	P14
	SH9002B5	90X-H25-2	2710			
	SH9003B	90X-H3-2	3210			
	SH9003B5	90X-H35-2	3710			
	SH9004B	90X-H4-2	4210			
	SH9004B5	90X-H45-2	4710			
	SH9005B	90X-H5-2	5210			
	SH9002B	92X-I4-1	2036	2	9X-I4-1	P6
	SH9002B5	925X-I4-1	2538			
	SH9003B	93X-I4-1	3041			
	SH9003B5	935X-I4-1	3543			
	SH9004B	94X-I4-1	4046			
	SH9004B5	945X-I4-1	4548			
	SH9005B	95X-I4-1	5051			
	SH9002B	92X-I4-2	2245	2	9X-I4-2	P6
	SH9002B5	925X-I4-2	2747			
	SH9003B	93X-I4-2	3250			
	SH9003B5	935X-I4-2	3752			
	SH9004B	94X-I4-2	4255			
	SH9004B5	945X-I4-2	4758			
	SH9005B	95X-I4-2	5260			
	SH9002B	92X-IX-4-1	2020	1	9X-IX-4-1	P9
	SH9002B5	925X-IX-4-1	2523			
	SH9003B	93X-IX-4-1	3026			
	SH9003B5	935X-IX-4-1	3528			






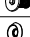
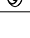
Part	product	NO.	Length(mm)	QTY.	code	Page
SH9004B	SH9004B	94X-IX-4-1	4031	1	9X-IX-4-2	P19
	SH9004B5	945X-IX-4-1	4534			
	SH9005B	95X-IX-4-1	5036			
SH9002B	SH9002B	92X-IX-4-2	2231	1	9X-IX-4-2	P19
	SH9002B5	925X-IX-4-2	2733			
	SH9003B	93X-IX-4-2	3236			
	SH9003B5	935X-IX-4-2	3739			
	SH9004B	94X-IX-4-2	4241			
	SH9004B5	945X-IX-4-2	4744			
	SH9005B	95X-IX-4-2	5246			
SH9005B	90X-I	2400	6		P9-19	
SH9005B	90X-I-B	2480	4		P19	
SH9005B	90X-I-C	1260	2		P19	
SH9005B	90X-I-D	80	2		P19	
SH9005B	90X-I-1	180	6		P9	
SH9005B	90X-I-2	265	6		P19	
SH9002B	SH9002B	92X-J4-1	2036	1	9X-J4-1	P6
	SH9002B5	925X-J4-1	2538			
	SH9003B	93X-J4-1	3041			
	SH9003B5	935X-J4-1	3543			
	SH9004B	94X-J4-1	4046			
	SH9004B5	945X-J4-1	4548			
	SH9005B	95X-J4-1	5051			
SH9002B	SH9002B	92X-J4-2	2245	1	9X-J4-2	P16
	SH9002B5	925X-J4-2	2747			
	SH9003B	93X-J4-2	3250			
	SH9003B5	935X-J4-2	3752			
	SH9004B	94X-J4-2	4255			
	SH9004B5	945X-J4-2	4758			
	SH9005B	95X-J4-2	5260			
SH9005B	90X-J-A	1099	2		P6	
SH9005B	90X-J-C	1140	2		P16	
SH9005B	90X-J-1	180	2		P9	
SH9005B	90X-J-2	265	2		P19	
SH9002B	SH9002B	92X-JX-1	200	1	9X-JX-1	P9
	SH9002B5	925X-JX-1	222			
	SH9003B	93X-JX-1	244			
	SH9003B5	935X-JX-1	266			
	SH9004B	94X-JX-1	288			
	SH9004B5	945X-JX-1	310			
	SH9005B	95X-JX-1	331			
SH9002B	SH9002B	92X-JX-2	303	1	9X-JX-2	P19
	SH9002B5	925X-JX-2	325			
	SH9003B	93X-JX-2	347			
	SH9003B5	935X-JX-2	369			
	SH9004B	94X-JX-2	391			
	SH9004B5	945X-JX-2	413			

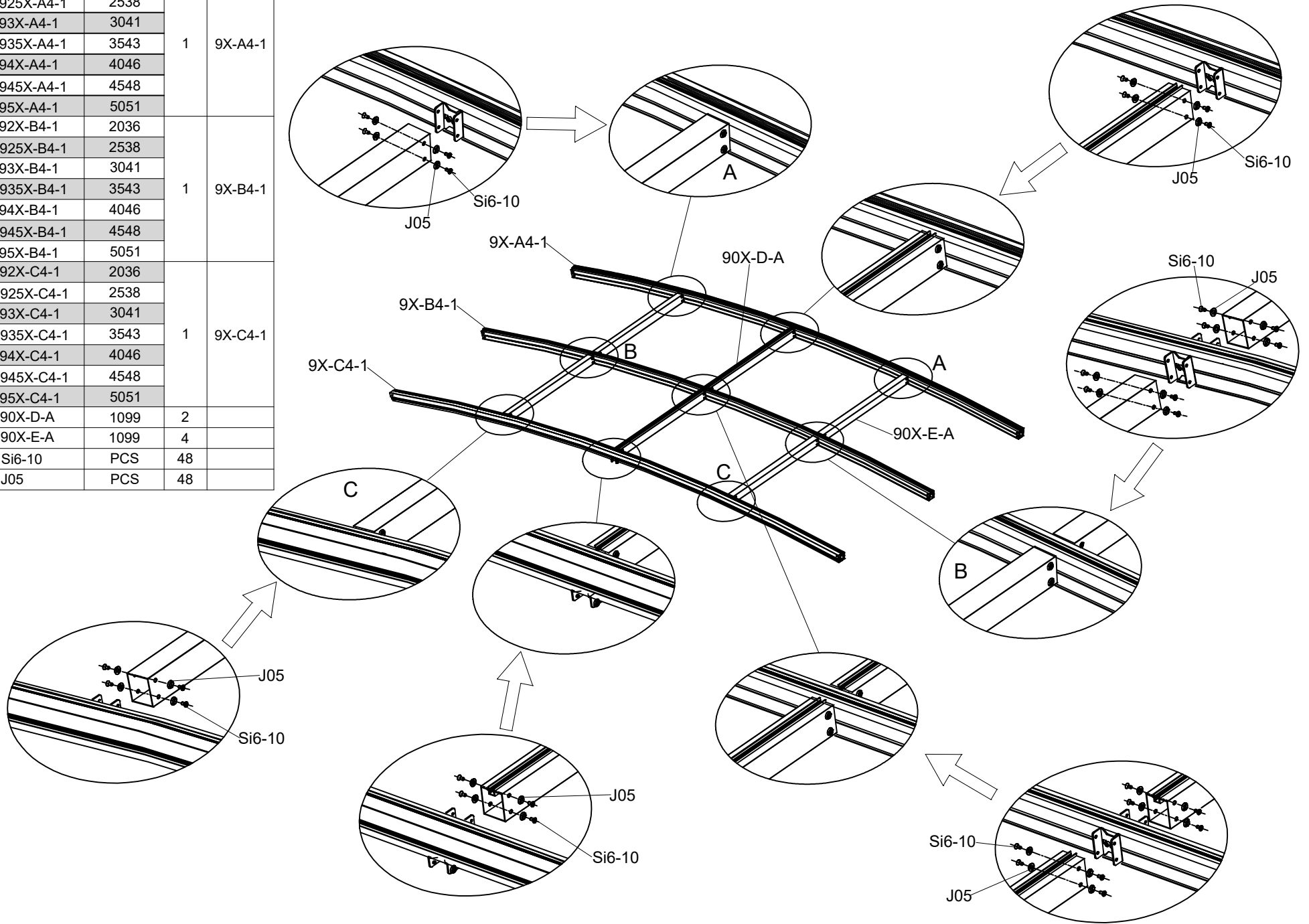
Part	product	NO.	Length(mm)	QTY.	code	Page
SH9005B	SH9005B	95X-JX-2	435			
SH9005B	90X-K-A	2480	1		P20	
SH9005B	90X-K-B	2480	1		P20	
SH9005B	90X-L	1280	2		P21	
SH9002B	SH9002B	92X-M2-A	315	2	9X-M2-A	P21
	SH9002B5	925X-M2-A				
	SH9003B	93X-M2-A				
	SH9003B5	935X-M2-A				
	SH9004B	94X-M2-A				
	SH9004B5	945X-M2-A				
SH9005B	95X-M2-A					
SH9002B	SH9002B	92X-M2-B	1128	2	9X-M2-B	P21
	SH9002B5	925X-M2-B	1372			
	SH9003B	93X-M2-B	1631			
	SH9003B5	935X-M2-B	1882			
	SH9004B	94X-M2-B	2133			
	SH9004B5	945X-M2-B	2384			
	SH9005B	95X-M2-B	2635			
SH9005B	90X-N	1171	1		P21	
SH9005B	90X-O	1280	1		P21	
SH9002B	SH9002B	92X-P2-A	315	2	9X-P2-A	P22
	SH9002B5	925XP2-A				
	SH9003B	93X-P2-A				
	SH9003B5	935X-P2-A				
	SH9004B	94X-P2-A				
	SH9004B5	945X-P2-A				
	SH9005B	95X-P2-A				
SH9002B	SH9002B	92X-P2-B	1128	2	9X-P2-B	P22
	SH9002B5	925X-P2-B	1372			
	SH9003B	93X-P2-B	1631			
	SH9003B5	935X-P2-B	1882			
	SH9004B	94X-P2-B	2133			
SH9004B5	945X-P2-B	2384				
SH9005B	95X-P2-B	2635				
SH9005B	90X-P	1280	4		P22	
SH9005B	90X-Q	1171	1		P22	
SH9005B	90X-R-50-L	2500	2		P27	
SH9005B	90X-R-50-R	2500	2		P27	
SH9005B	90X-R-50-A	5000	1		P27	
SH9005B	90X-R-50-B	5000	1		P27	
SH9005B	90X-R-50-C	5000	1		P27	

Part	product	NO.	Length(mm)	QTY.	code	Page
SH9005B	90X-R-50-D	5000	1		P27	
SH9005B	7C35-001L	PCS	3		P10-25	
SH9005B	7C35-001R	PCS	2		P10-25	
SH9005B	7C35-001XL	PCS	1		P25	
SH9005B	7C35-001XR	PCS	2		P10-25	
SH9005B	7C35-002	PCS	10		P10-25	
SH9005B	7C35-003L	PCS	2		P24	
SH9005B	7C35-003R	PCS	2		P24	
SH9005B	7C35-004L	PCS	2		P23	
SH9005B	7C35-004R	PCS	2		P23	
SH9005B	7C35-005	PCS	2		P23	
SH9005B	7B35-006	PCS	4		P24	
SH9005B	M4-8	PCS	4		P24	
SH9005B	7B35-007	PCS	6		P31	
SH9005B	M4-14	PCS	12		P31	
SH9005B	7B35-009	PCS	1		P20	
SH9005B	M4.0-20	PCS	1		P20	
SH9005B	7B35-012	PCS	4		P9-12	
SH9005B	ST4.2-13	PCS	16		P9-12	
SH9005B	7B35-014	PCS	2		P10-25	
SH9005B	Z6-30	PCS	4		P10-25	
SH9005B	ST4.2-20	PCS	5		P20	
SH9005B	7B35-018A	PCS	1		P26	
SH9005B	7B35-018B	PCS	1		P26	
SH9005B	ST4.2-13	PCS	4		P26	
SH9005B	J02	PCS	4		P27	
SH9005B	ST3.5-25	PCS	8		P27	
SH9005B	PSJ8-50	PCS	20		P46	
SH9005B	DQ6-12	PCS	20		P28-30	
SH9005B	SW6-50	PCS	20		P28-30	
SH9005B	Si6-10	PCS	306		P1-21	
SH9005B	Si6-14	PCS	8		P21	
SH9005B	J05	PCS	316		P1-21	
SH9005B	TOOLS	PCS	1			
SH9005B		PCS	1			
SH9005B		PCS	1			
SH9005B		PCS	2			
SH9005B		PCS	1			

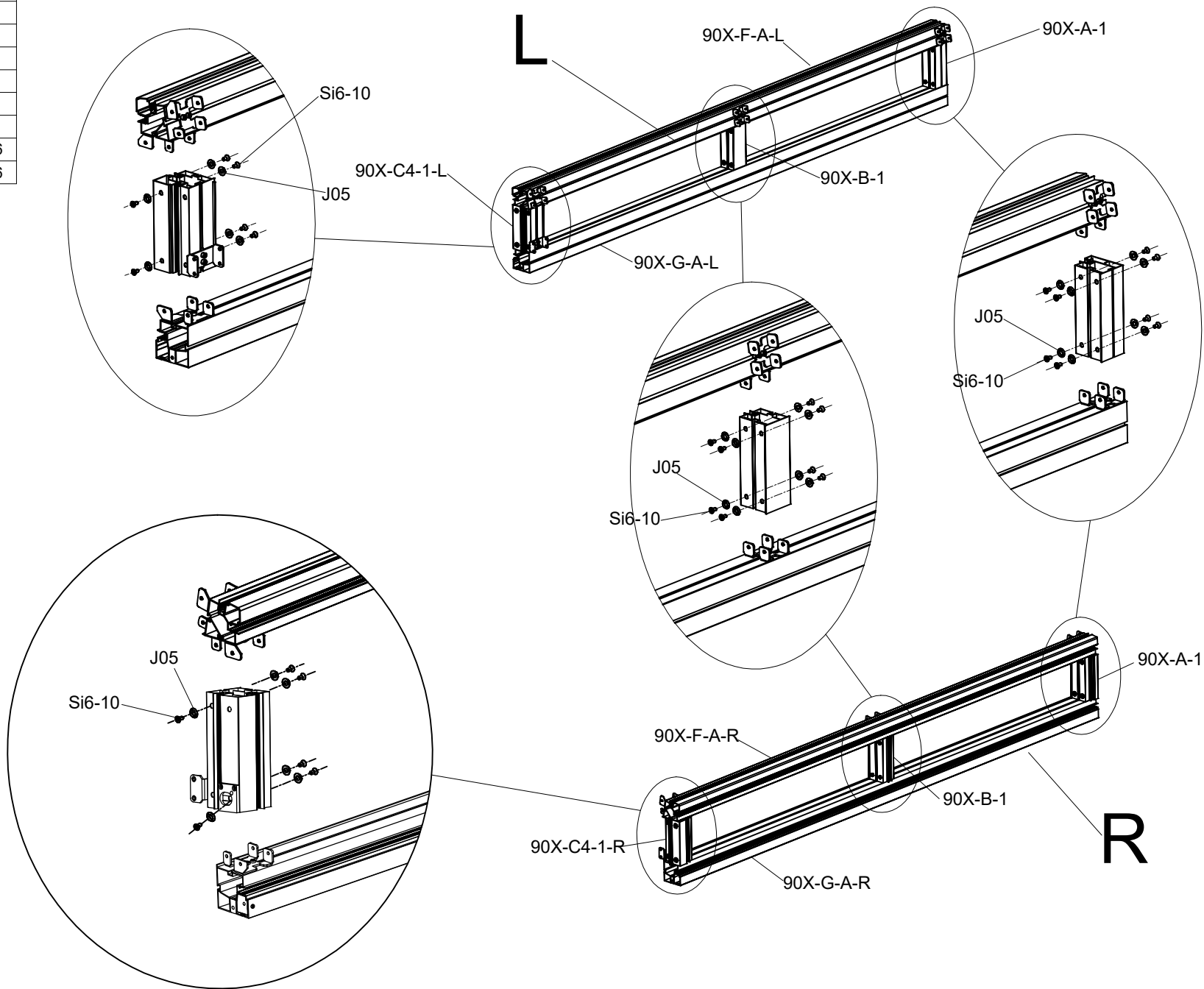
Part	product	NO.	QTY.	code	Page	Part	product	NO.	QTY.	code	Page
	SH9002B	1010×228	2	G01	P8		SH9002B	1208×346	1	G07	P20
	SH9002B5	1260×250									
	SH9003B	1510×272									
	SH9003B5	1760×293									
	SH9004B	2010×315									
	SH9004B5	2260×337									
	SH9005B	2510×359									
	SH9002B	1117×333	2	G02	P27		SH9002B	1208×572	2	G08	P31
	SH9002B5	1367×355					SH9002B5	1208×694			
	SH9003B	1617×376					SH9003B	1208×823			
	SH9003B5	1867×398					SH9003B5	1208×949			
	SH9004B	2117×420					SH9004B	1208×1075			
	SH9004B5	2367×442					SH9004B5	1208×1200			
	SH9005B	2626×464					SH9005B	1208×1326			
	SH9002B	1141×1029	4	G03	P5						
	SH9002B5	1141×1280									
	SH9003B	1141×1531									
	SH9003B5	1141×1783									
	SH9004B	1141×2034									
	SH9004B5	1141×2285									
	SH9005B	1141×2536									
	SH9002B	1181×1133	3	G04	P14						
	SH9002B5	1181×1385									
	SH9003B	1181×1638									
	SH9003B5	1181×1887									
	SH9004B	1181×2138									
	SH9004B5	1181×2390									
	SH9005B	1181×2641									
	SH9002B	1141×221	4	G05	P8						
	SH9002B5										
	SH9003B										
	SH9003B5										
	SH9004B										
	SH9004B5										
	SH9005B										
	SH9002B	1181×306	3	G06	P17						
	SH9002B5										
	SH9003B										
	SH9003B5										
	SH9004B										
	SH9004B5										
	SH9005B										







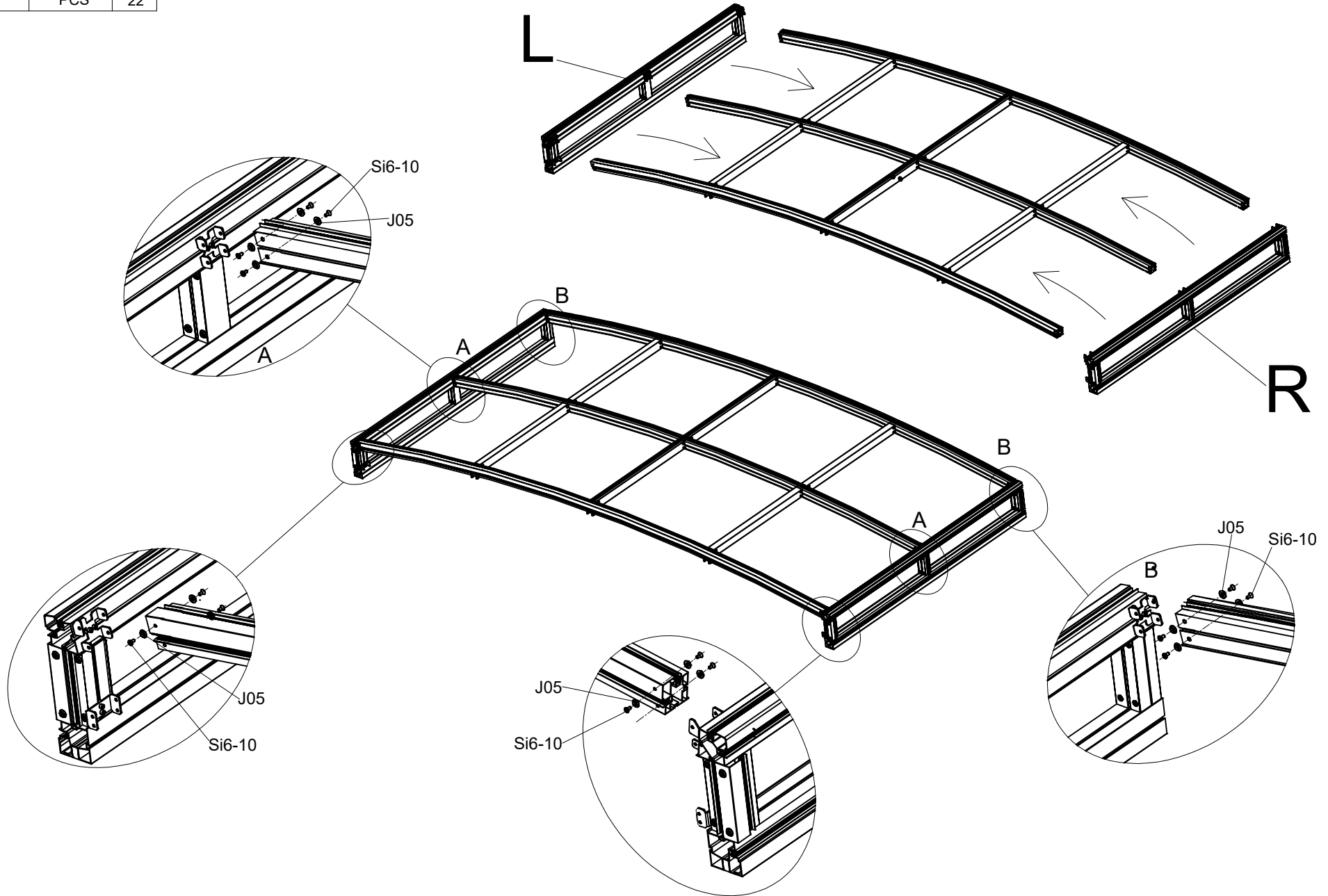
Part	product	NO.	Length(mm)	QTY.	code
	SH9002B	92X-A4-1	2036	1	9X-A4-1
	SH9002B5	925X-A4-1	2538		
	SH9003B	93X-A4-1	3041		
	SH9003B5	935X-A4-1	3543		
	SH9004B	94X-A4-1	4046		
	SH9004B5	945X-A4-1	4548		
	SH9005B	95X-A4-1	5051		
	SH9002B	92X-B4-1	2036	1	9X-B4-1
	SH9002B5	925X-B4-1	2538		
	SH9003B	93X-B4-1	3041		
	SH9003B5	935X-B4-1	3543		
	SH9004B	94X-B4-1	4046		
	SH9004B5	945X-B4-1	4548		
	SH9005B	95X-B4-1	5051		
	SH9002B	92X-C4-1	2036	1	9X-C4-1
	SH9002B5	925X-C4-1	2538		
	SH9003B	93X-C4-1	3041		
	SH9003B5	935X-C4-1	3543		
	SH9004B	94X-C4-1	4046		
	SH9004B5	945X-C4-1	4548		
	SH9005B	95X-C4-1	5051		
		90X-D-A	1099	2	
		90X-E-A	1099	4	
		Si6-10	PCS	48	
		J05	PCS	48	



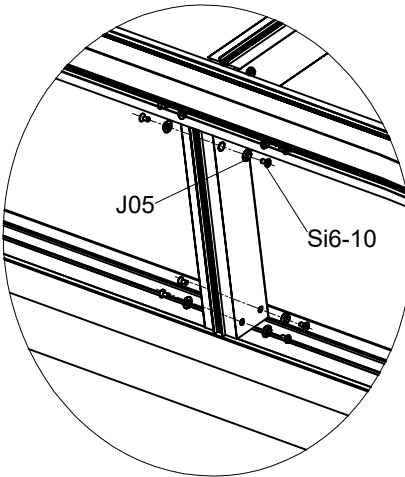
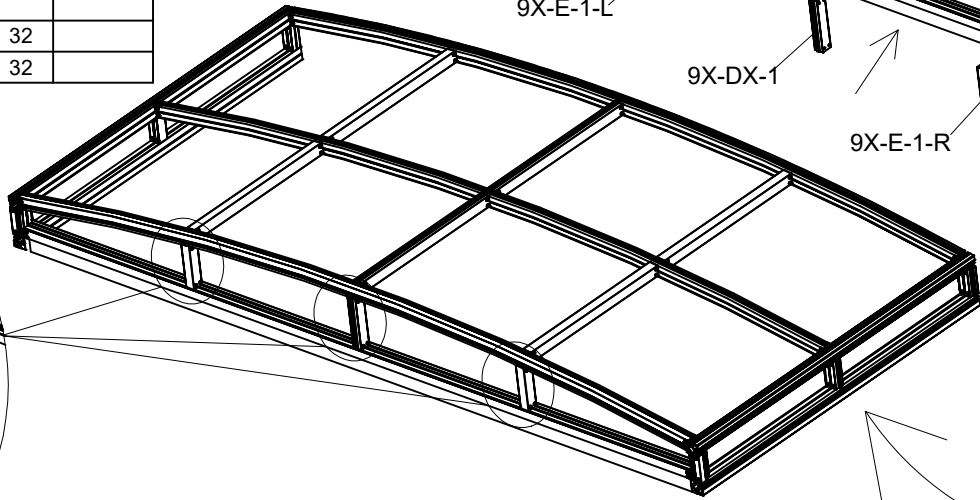
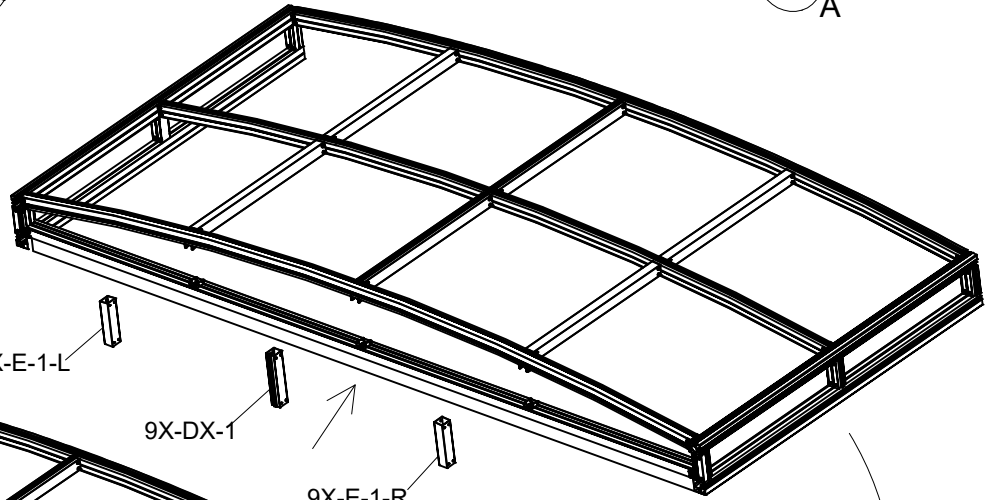
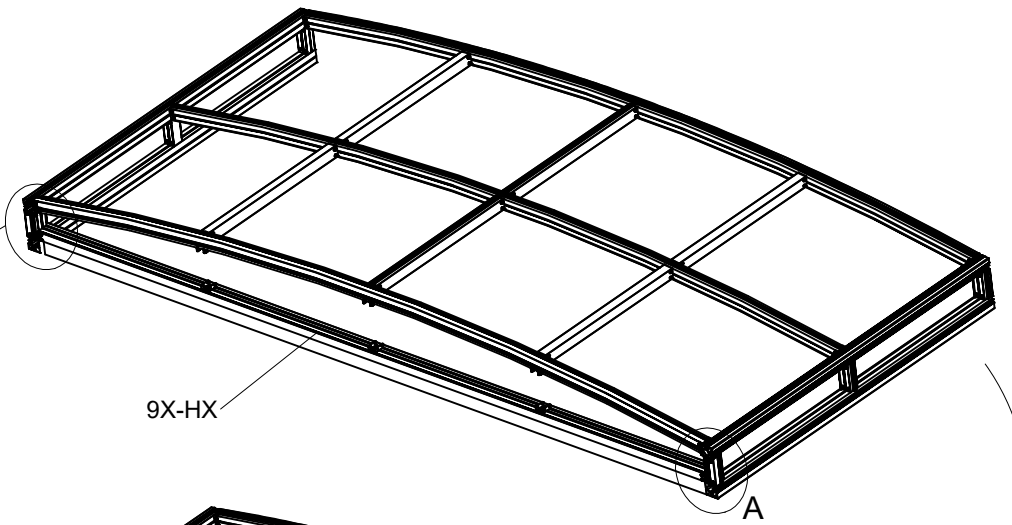
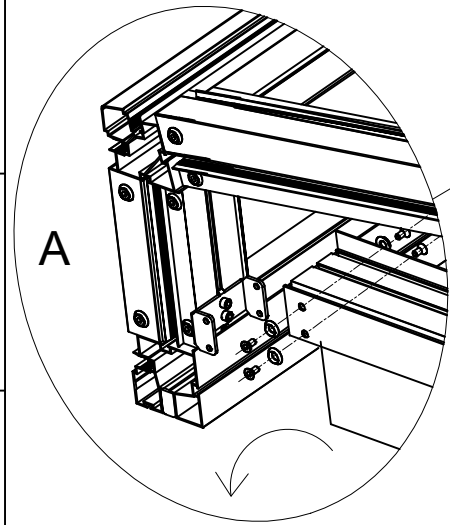
Part	NO.	Length(mm)	QTY.
	90X-A-1	180	2
	90X-B-1	180	2
	90X-C4-1-L	180	1
	90X-C4-1-R	180	1
	90X-F-A-L	2400	1
	90X-F-A-R	2400	1
	90X-G-A-L	2400	1
	90X-G-A-R	2400	1
	Si6-10	PCS	46
	J05	PCS	46




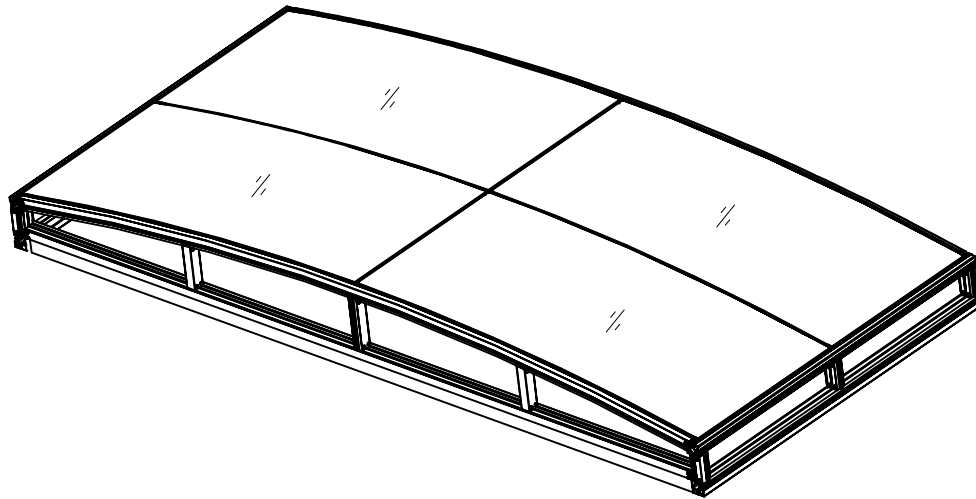
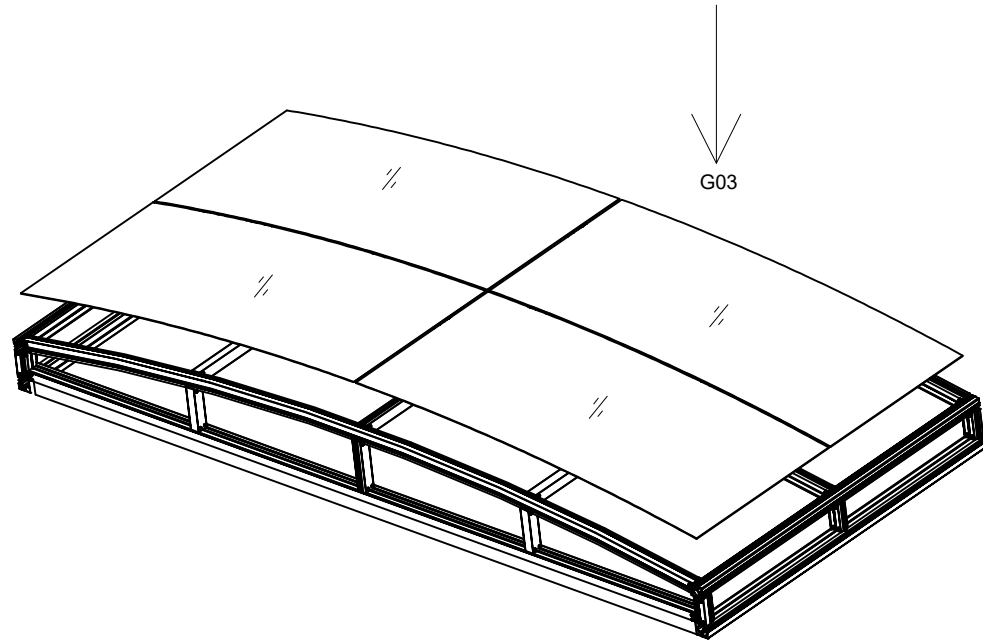
Part	NO.	Length(mm)	QTY.
	Page1	PCS	1
	Page2	PCS	1
	Si6-10	PCS	22
	J05	PCS	22



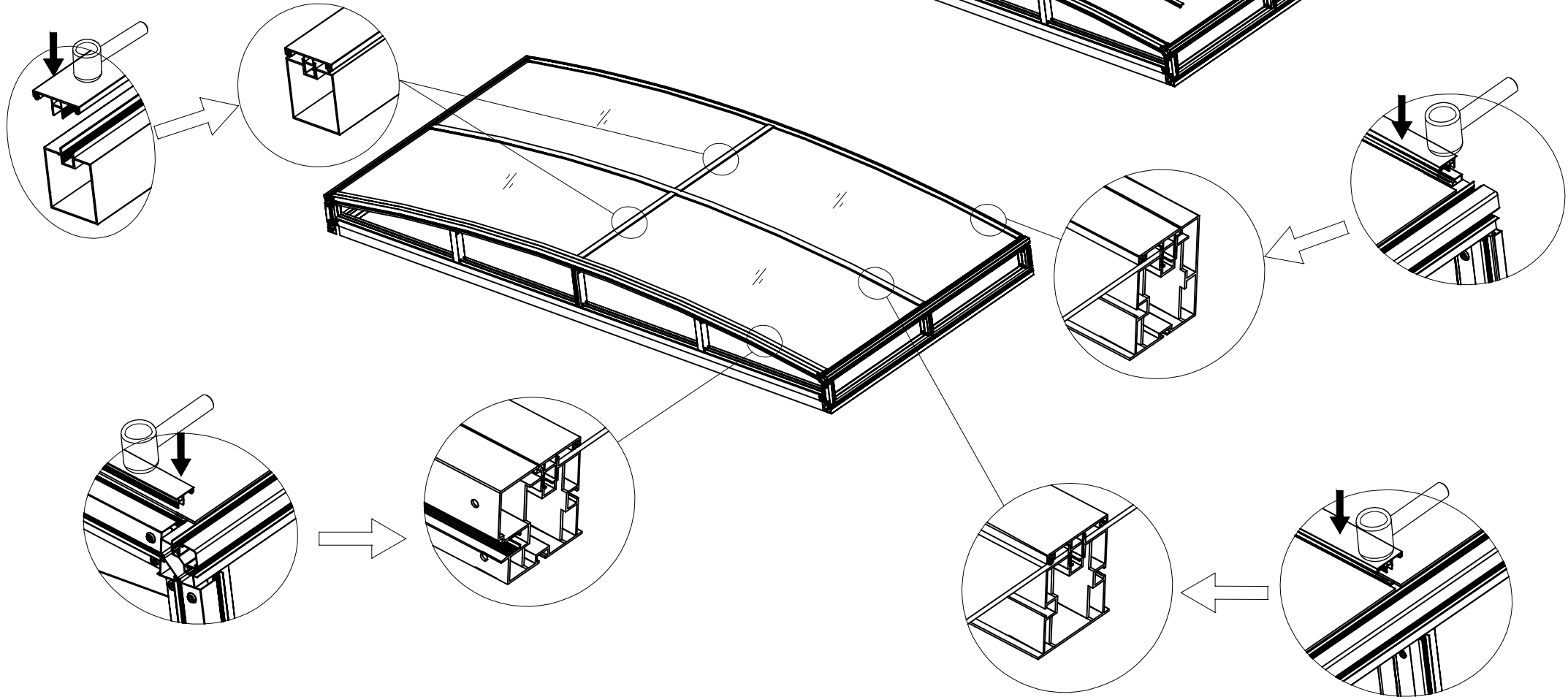
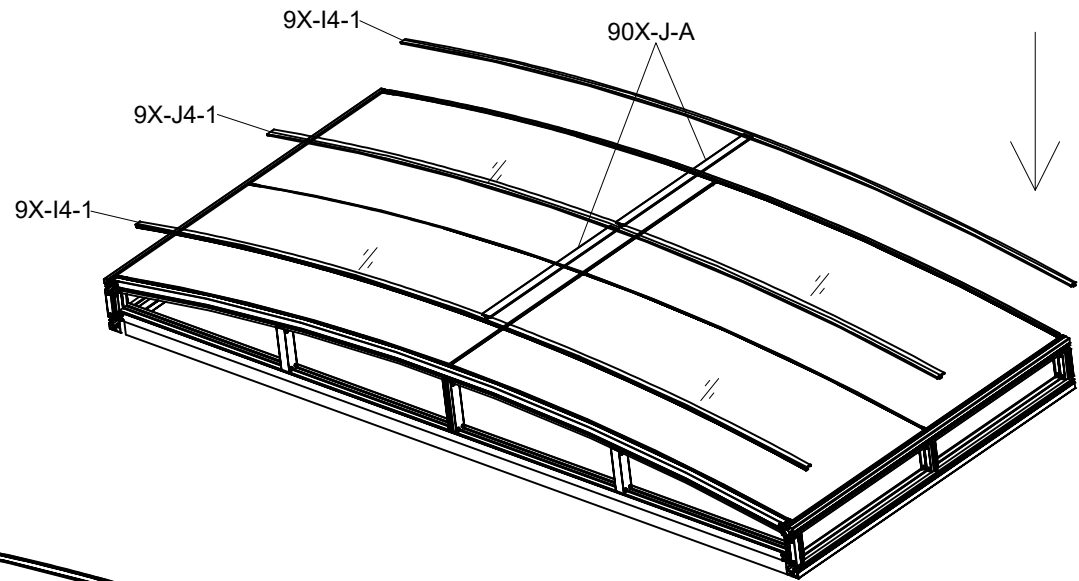
Part	product	NO.	Length(mm)	QTY.	code
□	SH9002B	90X-H2	2003	1	9X-HX
	SH9002B5	90X-H25	2503		
	SH9003B	90X-H3	3003		
	SH9003B5	90X-H35	3503		
	SH9004B	90X-H4	4003		
	SH9004B5	90X-H45	4503		
	SH9005B	90X-H5	5003		
□	SH9002B	92X-DX-1	200	1	9X-DX-1
	SH9002B5	925X-DX-1	222		
	SH9003B	93X-DX-1	244		
	SH9003B5	935X-DX-1	266		
	SH9004B	94X-DX-1	288		
	SH9004B5	945X-DX-1	310		
	SH9005B	95X-DX-1	331		
□	SH9002B	92X-E-1-L	183	1	9X-E-1-L
	SH9002B5	925X-E-1-L	199		
	SH9003B	93X-E-1-L	215		
	SH9003B5	935X-E-1-L	232		
	SH9004B	94X-E-1-L	248		
	SH9004B5	945X-E-1-L	265		
	SH9005B	95X-E-1-L	281		
□	SH9002B	92X-E-1-R	183	1	9X-E-1-R
	SH9002B5	925X-E-1-R	199		
	SH9003B	93X-E-1-R	215		
	SH9003B5	935X-E-1-R	232		
	SH9004B	94X-E-1-R	248		
	SH9004B5	945X-E-1-R	265		
	SH9005B	95X-E-1-R	281		
⊕		Si6-10	PCS	32	
⊕		J05	PCS	32	



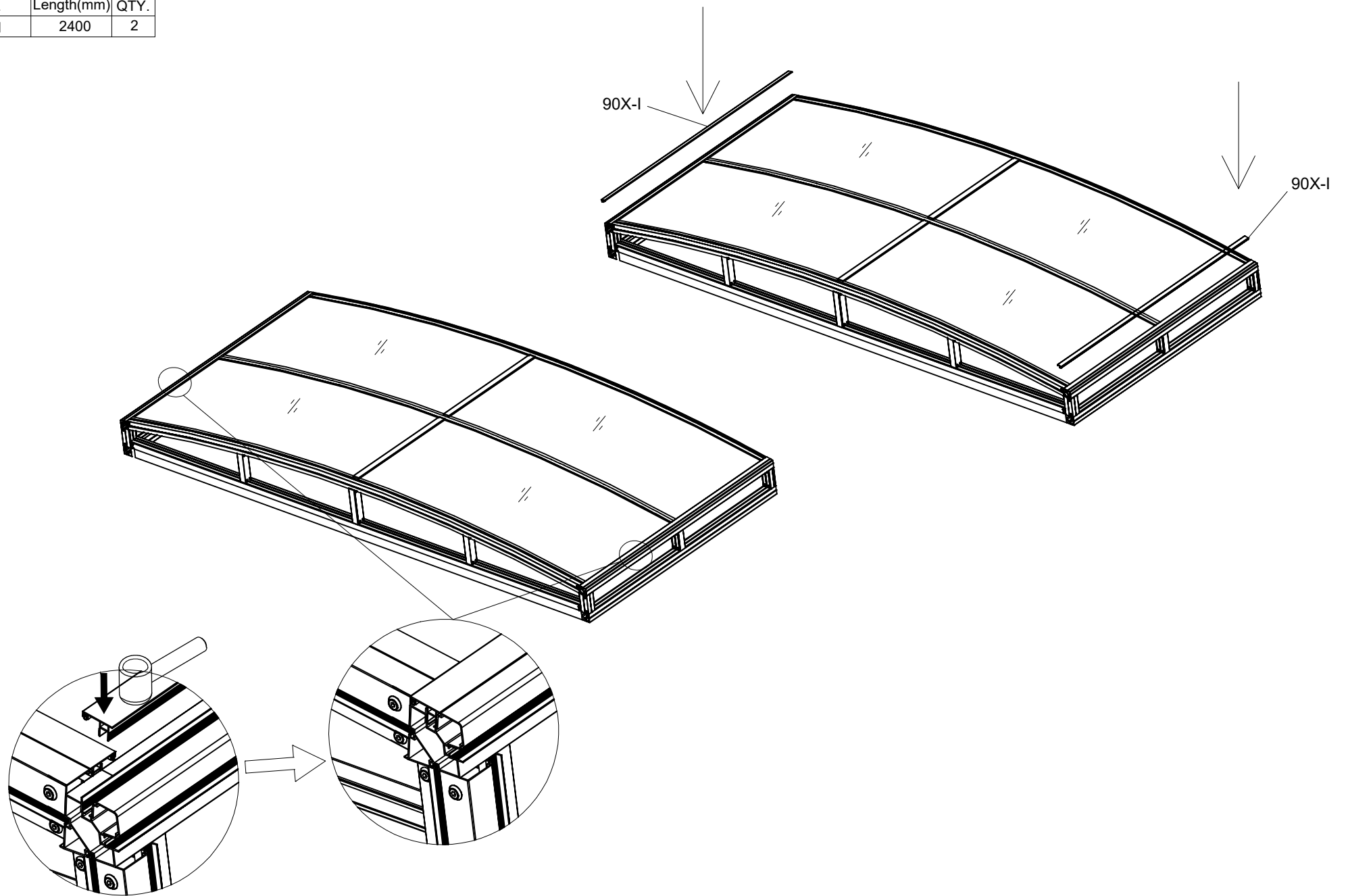
Part	product	NO.	QTY.	code
	SH9002B	1141×1029	4	G03
	SH9002B5	1141×1280		
	SH9003B	1141×1531		
	SH9003B5	1141×1783		
	SH9004B	1141×2034		
	SH9004B5	1141×2285		
	SH9005B	1141×2536		





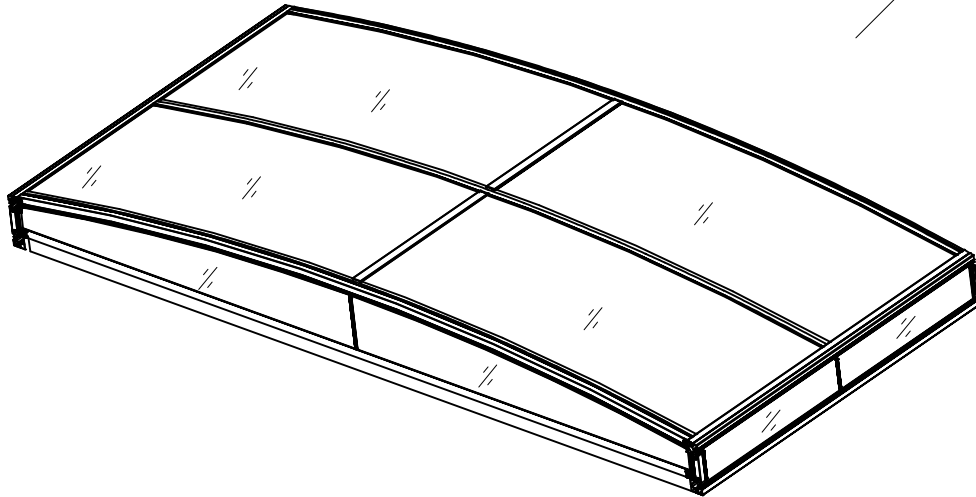
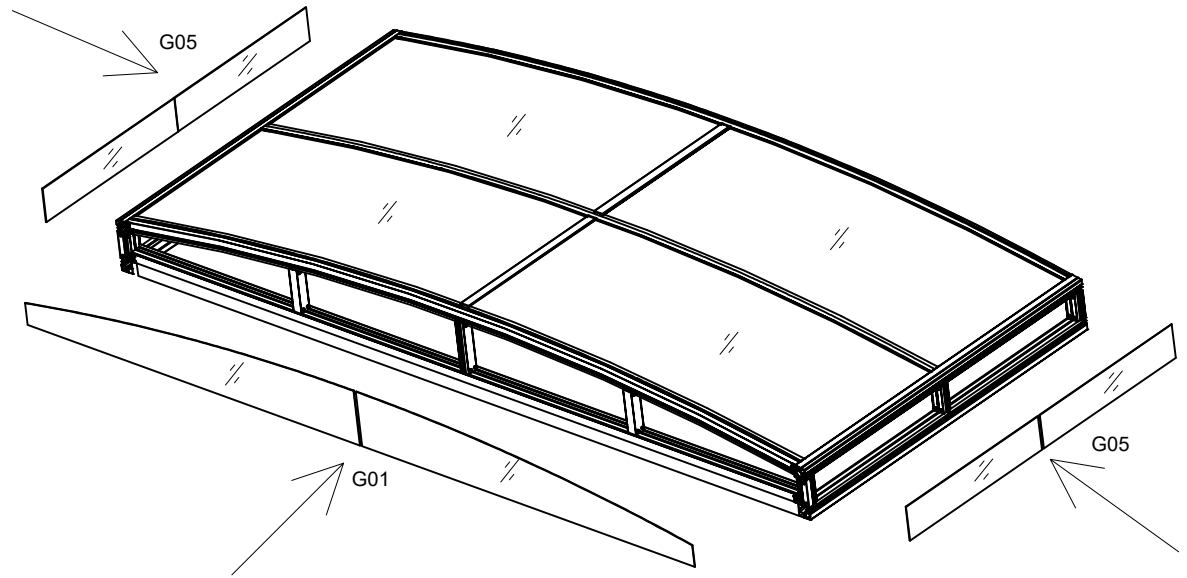
Part	product	NO.	Length(mm)	QTY.	code
□H	SH9002B	92X-I4-1	2036	2	9X-I4-1
	SH9002B5	925X-I4-1	2538		
	SH9003B	93X-I4-1	3041		
	SH9003B5	935X-I4-1	3543		
	SH9004B	94X-I4-1	4046		
	SH9004B5	945X-I4-1	4548		
	SH9005B	95X-I4-1	5051		
□H	SH9002B	92X-J4-1	2036	1	9X-J4-1
	SH9002B5	925X-J4-1	2538		
	SH9003B	93X-J4-1	3041		
	SH9003B5	935X-J4-1	3543		
	SH9004B	94X-J4-1	4046		
	SH9004B5	945X-J4-1	4548		
	SH9005B	95X-J4-1	5051		
□H		90X-J-A	1099	2	



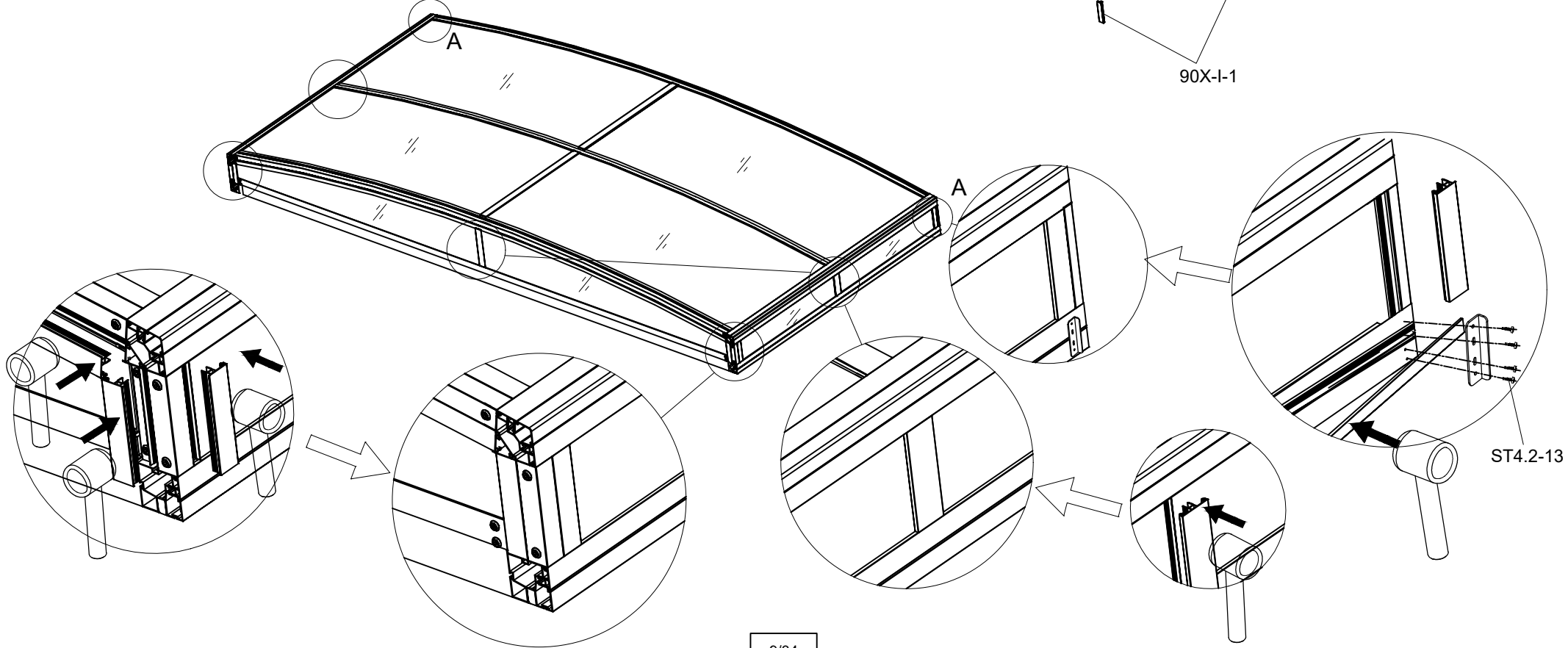
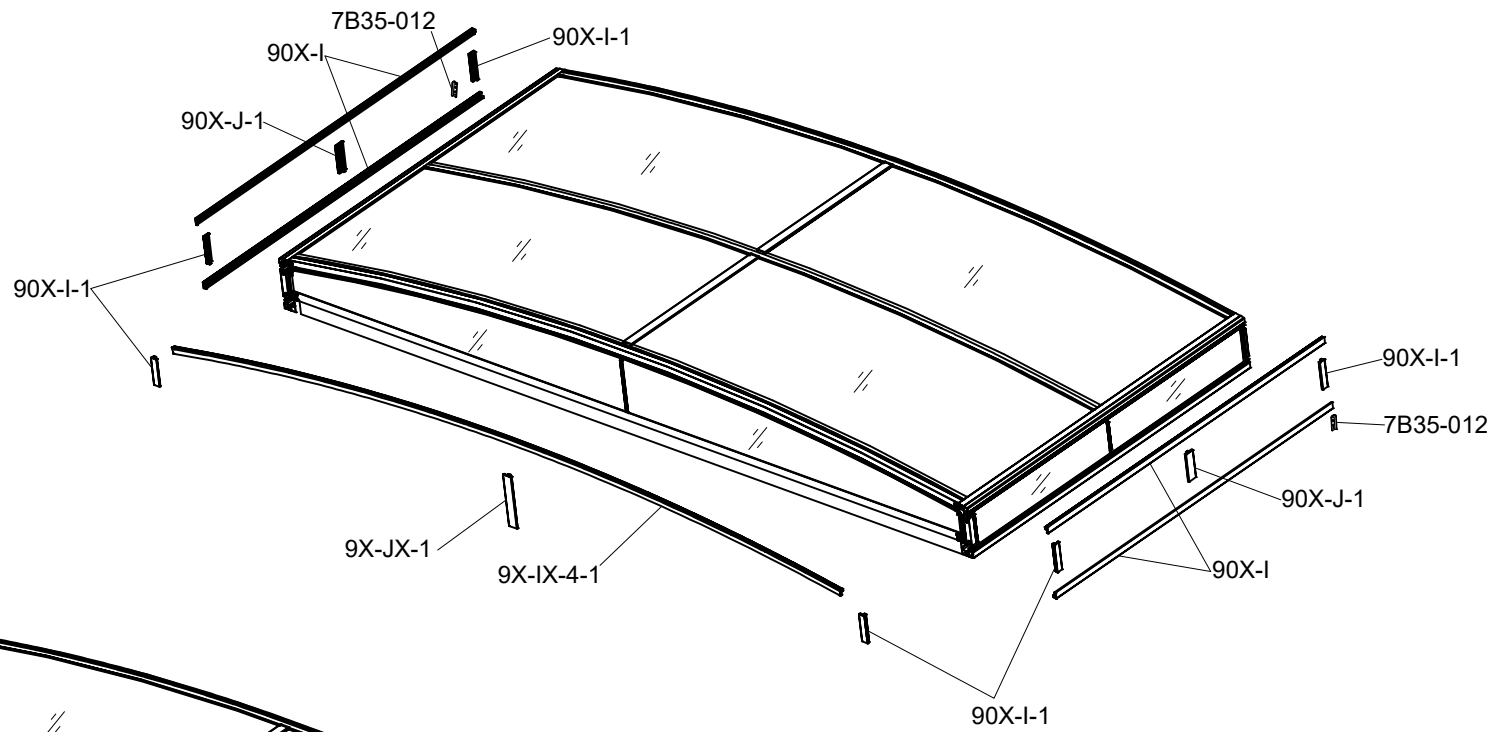
Part	NO.	Length(mm)	QTY.
▼▮	90X-I	2400	2









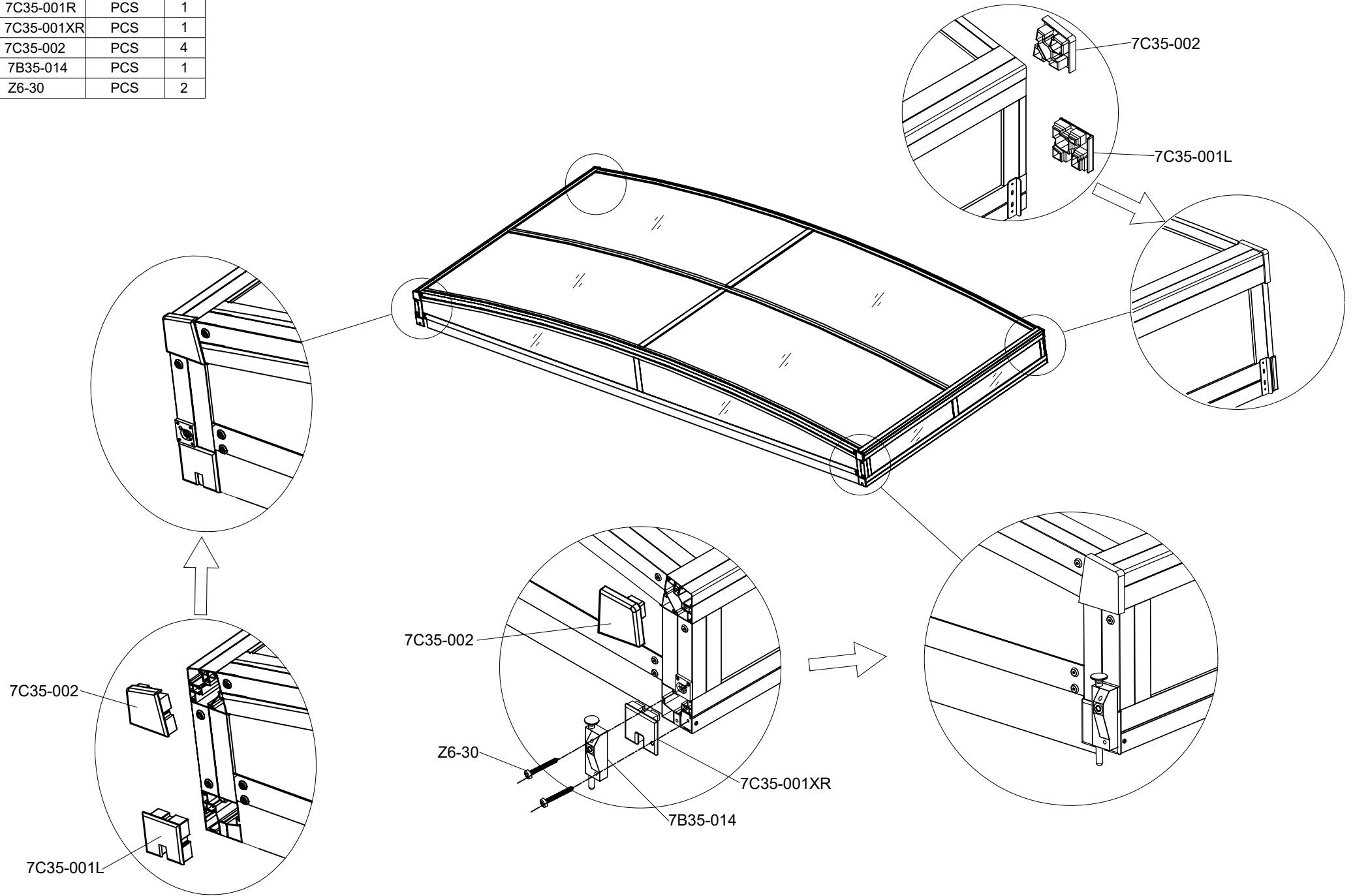
Part	product	NO.	QTY.	code
	SH9002B	1141×221	4	G05
	SH9002B5			
	SH9003B			
	SH9003B5			
	SH9004B			
	SH9004B5			
	SH9005B			
	SH9002B	1010×228	2	G01
	SH9002B5	1260×250		
	SH9003B	1510×272		
	SH9003B5	1760×293		
	SH9004B	2010×315		
	SH9004B5	2260×337		
	SH9005B	2510×359		


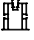
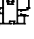






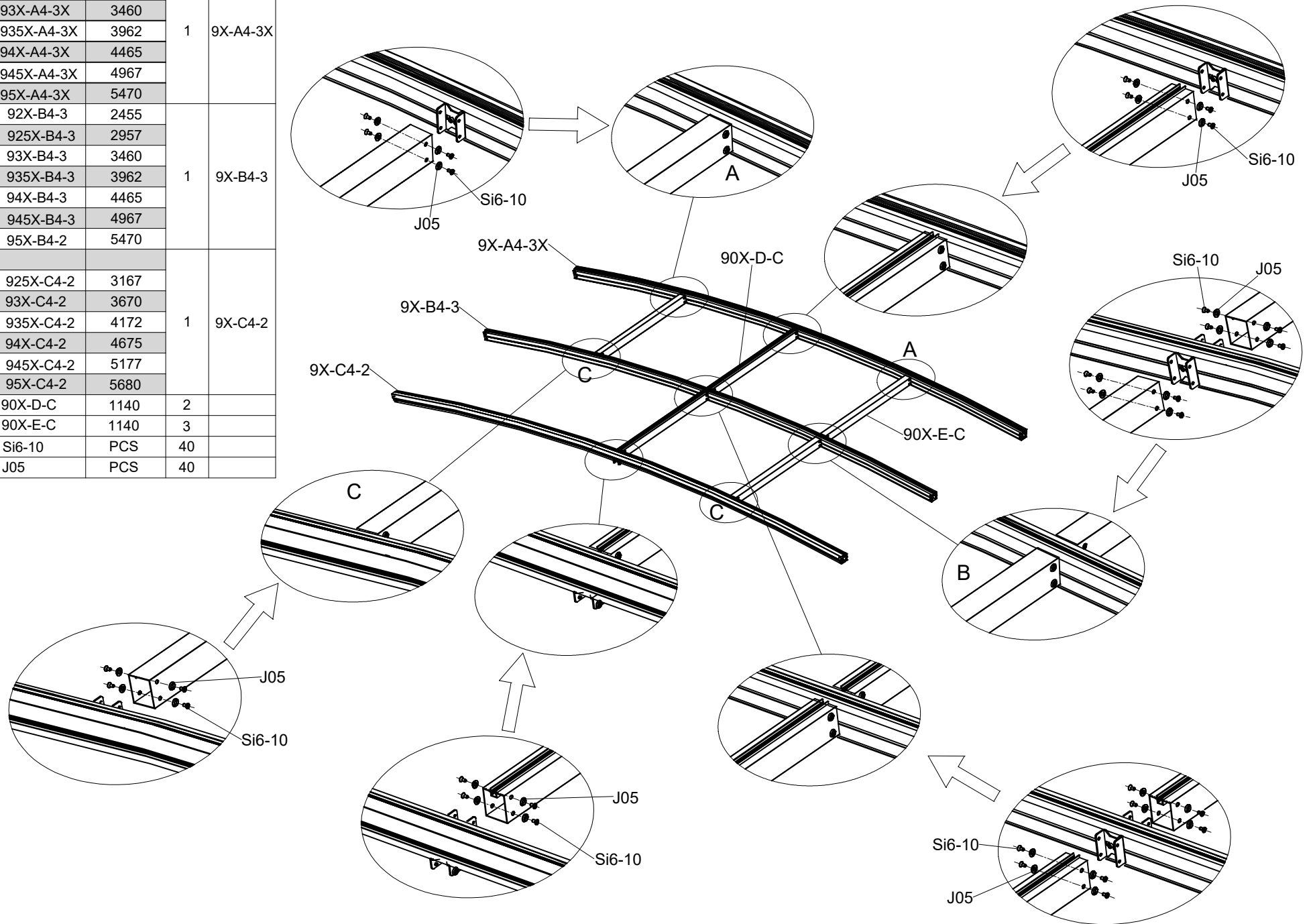
Part	product	NO.	Length(mm)	QTY.	code
H	SH9002B	92X-IX-4-1	2020	1	9X-IX-4-1
	SH9002B5	925X-IX-4-1	2523		
	SH9003B	93X-IX-4-1	3026		
	SH9003B5	935X-IX-4-1	3528		
	SH9004B	94X-IX-4-1	4031		
	SH9004B5	945X-IX-4-1	4534		
	SH9005B	95X-IX-4-1	5036		
H		90X-I	2400	4	
H		90X-I-1	180	6	
H		90X-J-1	180	2	
H	SH9002B	92X-JX-1	200	1	9X-JX-1
	SH9002B5	925X-JX-1	222		
	SH9003B	93X-JX-1	244		
	SH9003B5	935X-JX-1	266		
	SH9004B	94X-JX-1	288		
	SH9004B5	945X-JX-1	310		
	SH9005B	95X-JX-1	331		
		7B35-012	PCS	2	
		ST4.2-13	PCS	8	



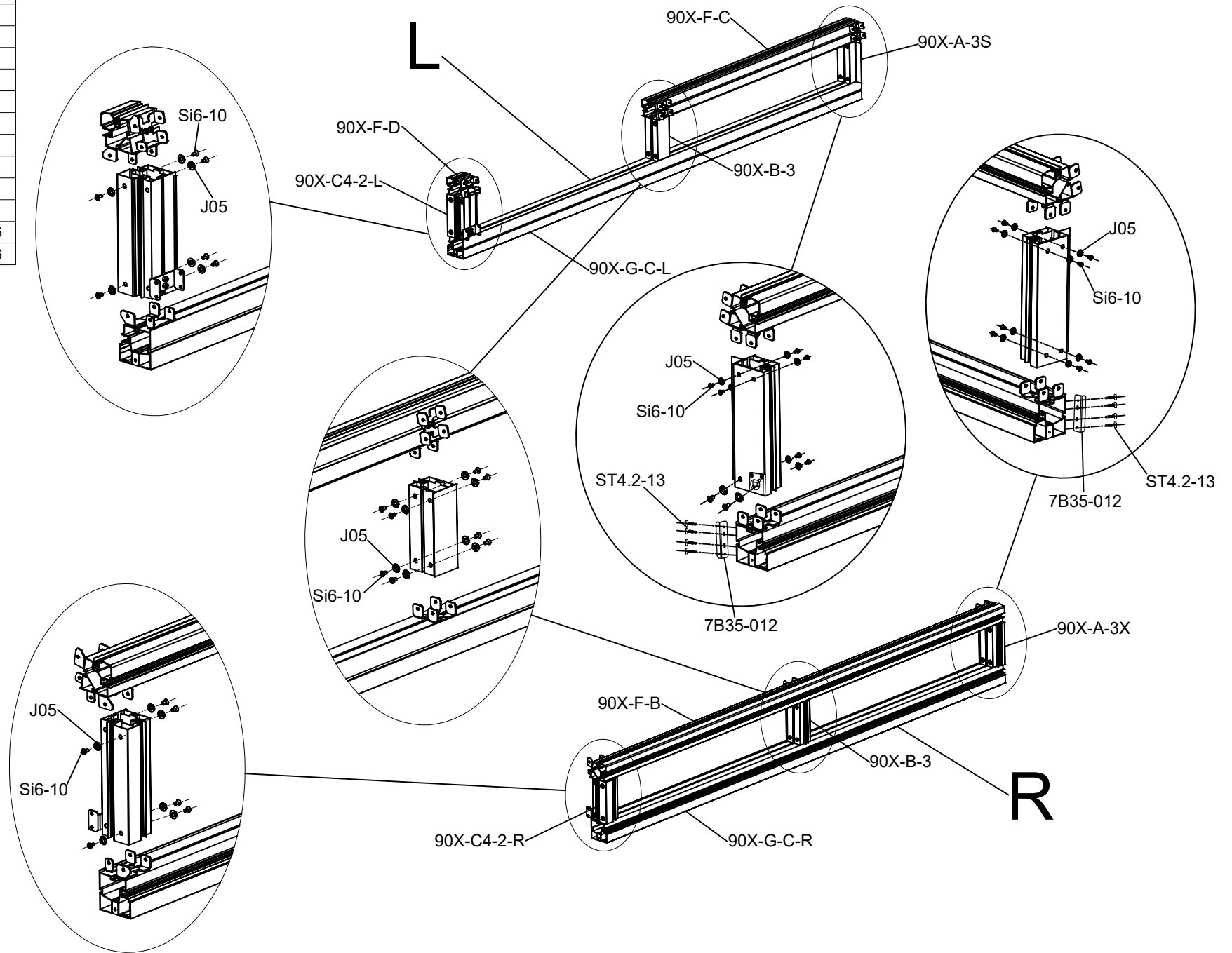
Part	NO.	Length(mm)	QTY.
	7C35-001L	PCS	2
	7C35-001R	PCS	1
	7C35-001XR	PCS	1
	7C35-002	PCS	4
	7B35-014	PCS	1
	Z6-30	PCS	2







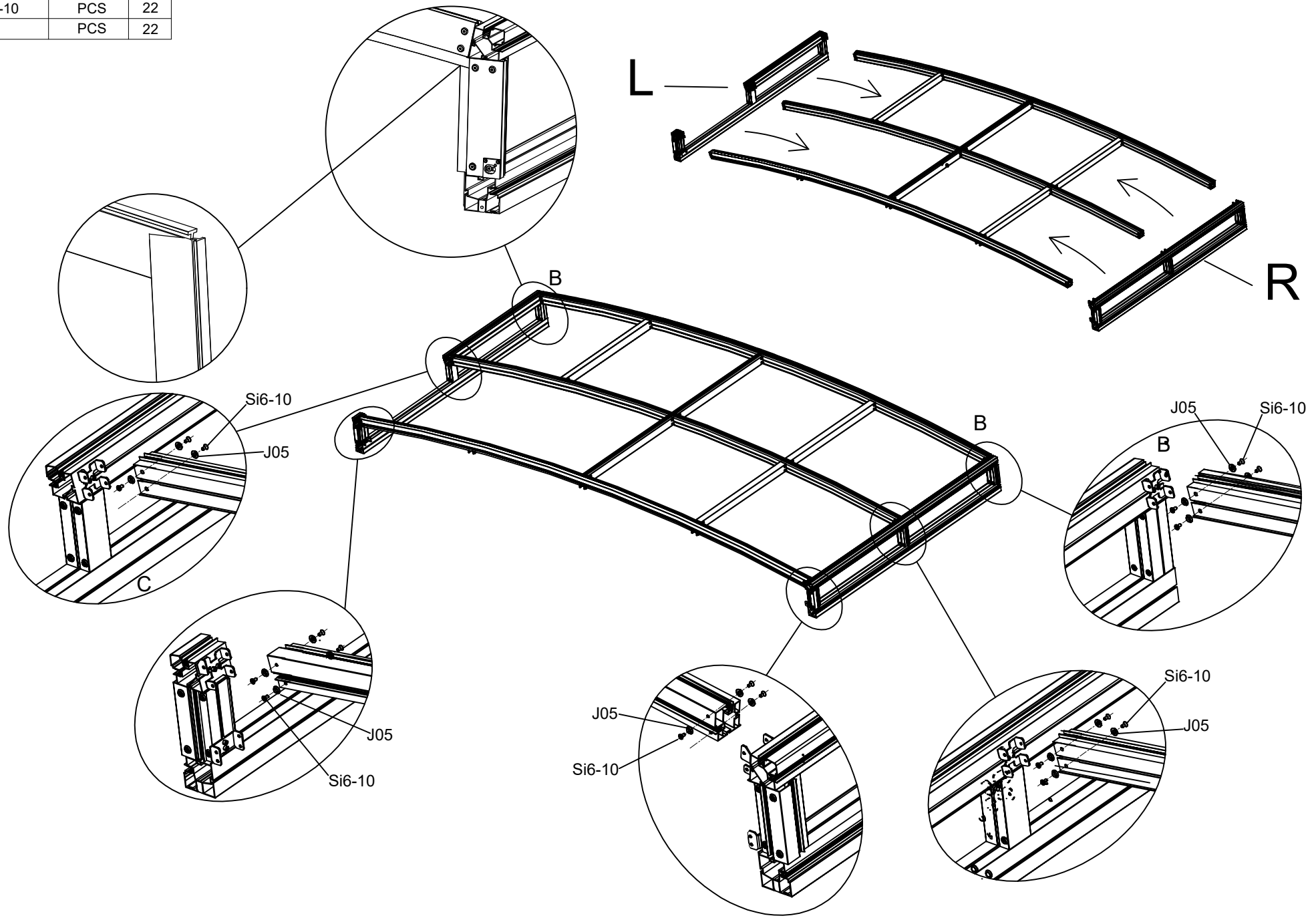
Part	product	NO.	Length(mm)	QTY.	code
	SH9002B	92X-A4-3X	2455	1	9X-A4-3X
	SH9002B5	925X-A4-3X	2957		
	SH9003B	93X-A4-3X	3460		
	SH9003B5	935X-A4-3X	3962		
	SH9004B	94X-A4-3X	4465		
	SH9004B5	945X-A4-3X	4967		
	SH9005B	95X-A4-3X	5470		
	SH9002B	92X-B4-3	2455	1	9X-B4-3
	SH9002B5	925X-B4-3	2957		
	SH9003B	93X-B4-3	3460		
	SH9003B5	935X-B4-3	3962		
	SH9004B	94X-B4-3	4465		
	SH9004B5	945X-B4-3	4967		
	SH9005B	95X-B4-2	5470		
				1	9X-C4-2
	SH9002B5	925X-C4-2	3167		
	SH9003B	93X-C4-2	3670		
	SH9003B5	935X-C4-2	4172		
	SH9004B	94X-C4-2	4675		
	SH9004B5	945X-C4-2	5177		
SH9005B	95X-C4-2	5680			
		90X-D-C	1140	2	
		90X-E-C	1140	3	
		Si6-10	PCS	40	
		J05	PCS	40	



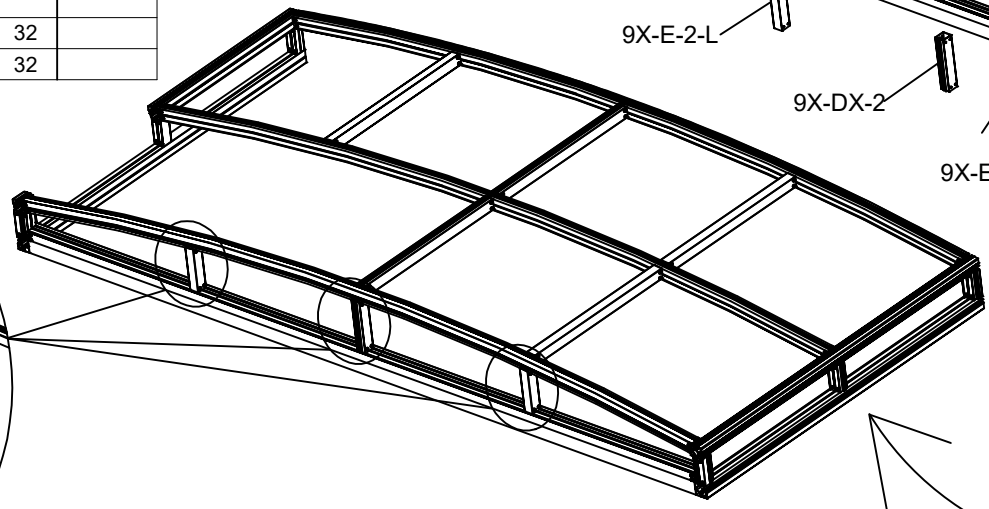
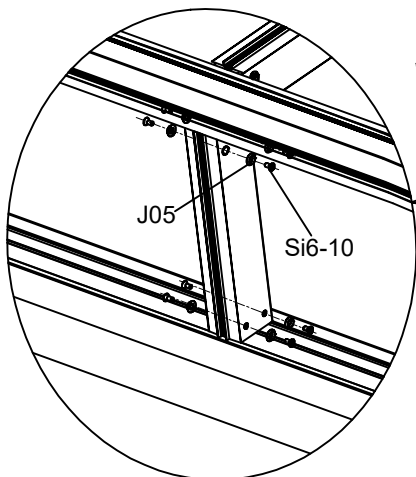
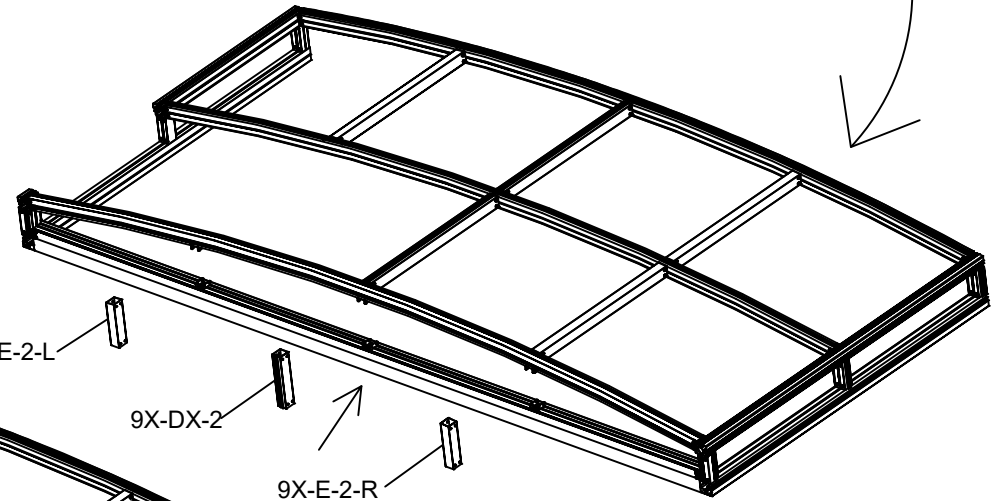
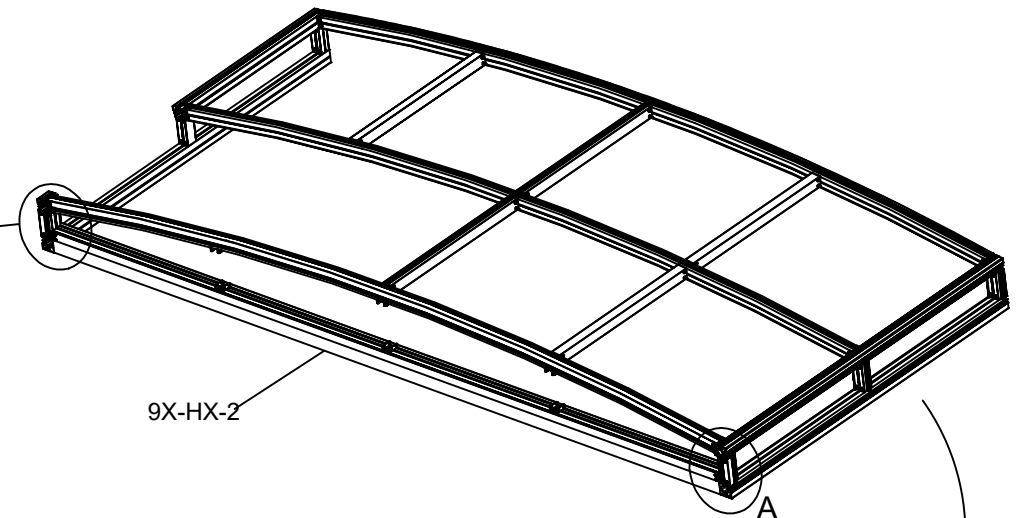
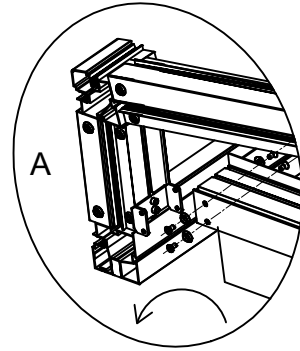
Part	NO.	Length(mm)	QTY.
	90X-A-3X	349	1
	90X-A-3S	349	1
	90X-B-3	349	2
	90X-C4-2-L	349	1
	90X-C4-2-R	349	1
	90X-F-B	2480	1
	90X-F-C	1260	1
	90X-F-D	80	1
	90X-G-C-L	2480	1
	90X-G-C-R	2480	1
	7B35-012	PCS	2
	ST4.2-13	PCS	8
	Si6-10	PCS	46
	J05	PCS	46



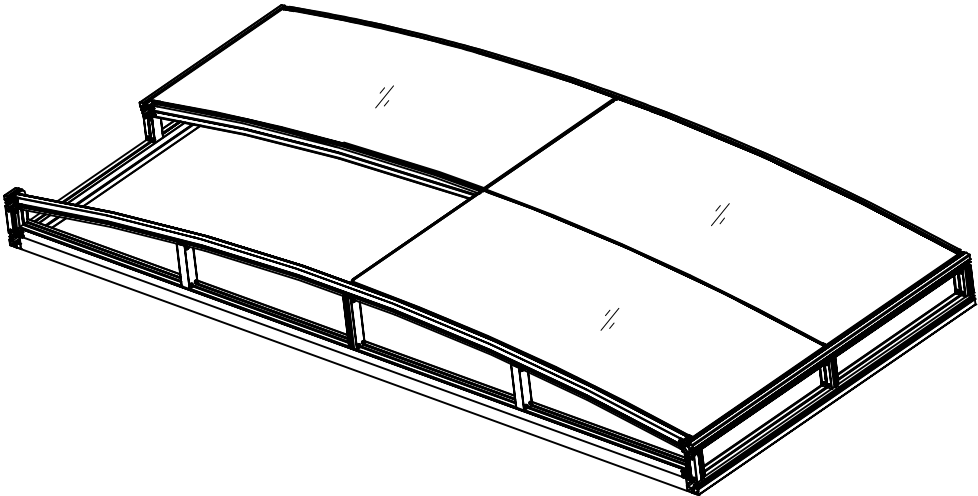
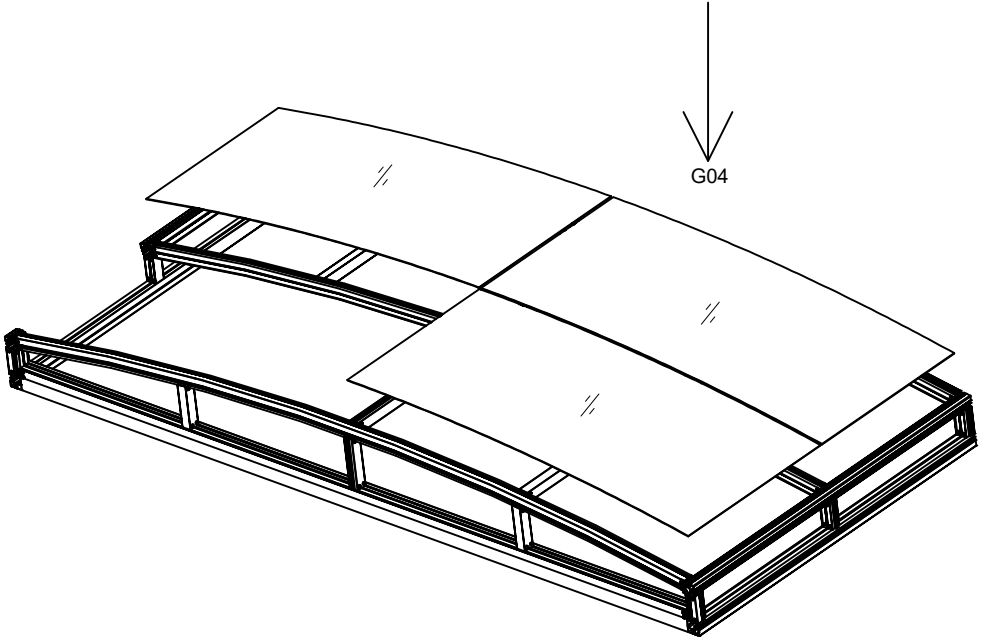
Part	NO.	Length(mm)	QTY.
	Page11	PCS	1
	Page12	PCS	1
	Si6-10	PCS	22
	J05	PCS	22



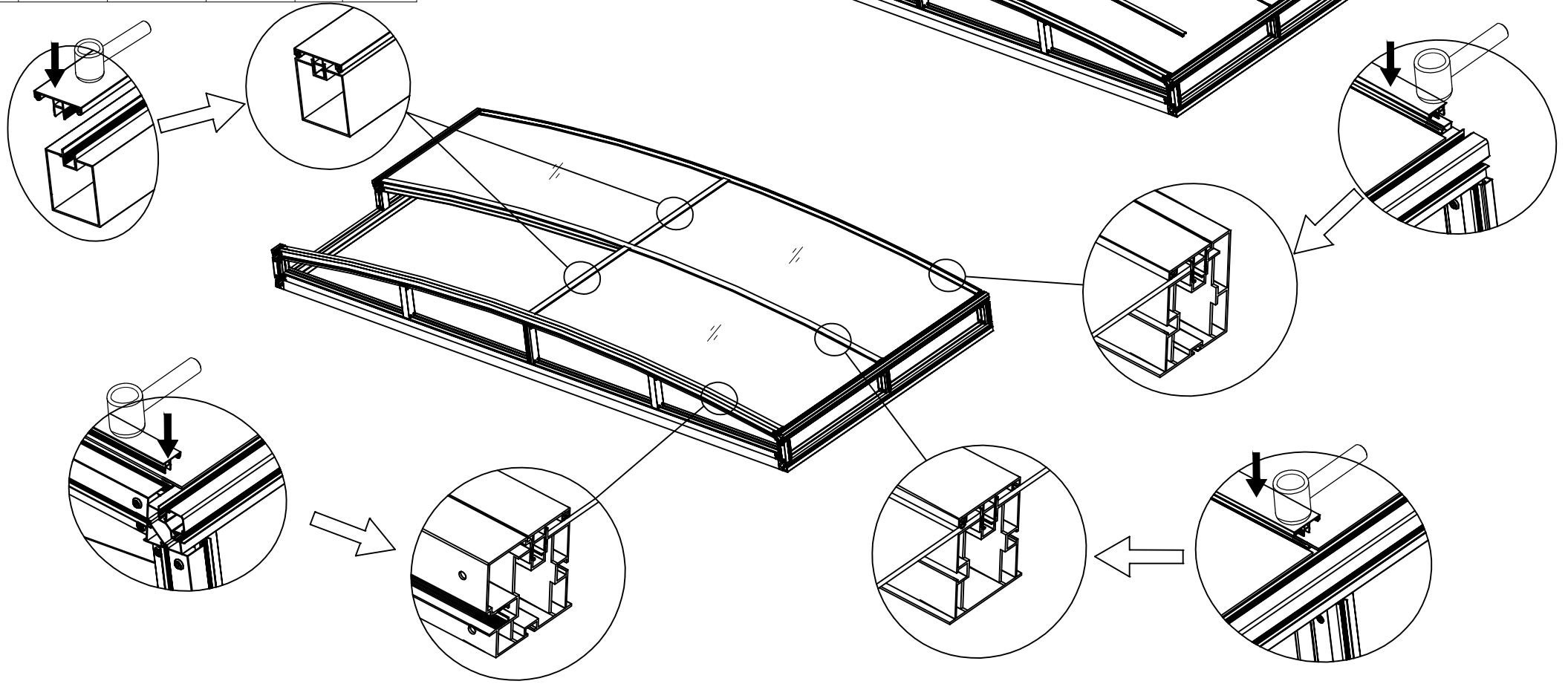
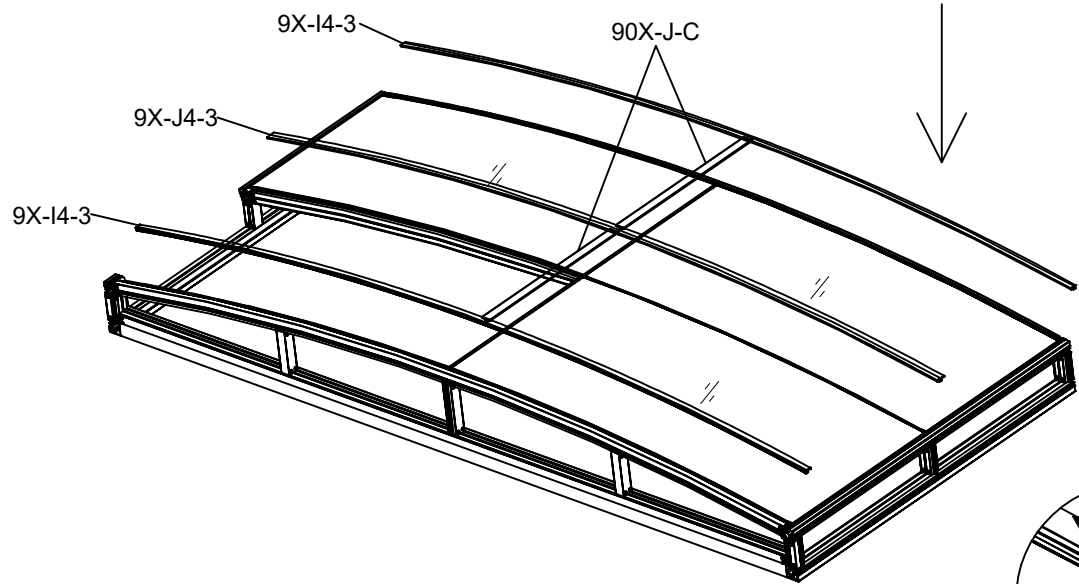
Part	product	NO.	Length(mm)	QTY.	code
□	SH9002B	90X-H2-2	2210	1	9X-HX-2
	SH9002B5	90X-H25-2	2710		
	SH9003B	90X-H3-2	3210		
	SH9003B5	90X-H35-2	3710		
	SH9004B	90X-H4-2	4210		
	SH9004B5	90X-H45-2	4710		
	SH9005B	90X-H5-2	5210		
□	SH9002B	92X-DX-2	303	1	9X-DX-2
	SH9002B5	925X-DX-2	325		
	SH9003B	93X-DX-2	347		
	SH9003B5	935X-DX-2	369		
	SH9004B	94X-DX-2	391		
	SH9004B5	945X-DX-2	413		
	SH9005B	95X-DX-2	435		
□	SH9002B	92X-E-2-L	281	1	9X-E-2-L
	SH9002B5	925X-E-2-L	286		
	SH9003B	93X-E-2-L	314		
	SH9003B5	935X-E-2-L	330		
	SH9004B	94X-E-2-L	347		
	SH9004B5	945X-E-2-L	363		
	SH9005B	95X-E-2-L	379		
□	SH9002B	92X-E-2-R	281	1	9X-E-2-R
	SH9002B5	925X-E-2-R	286		
	SH9003B	93X-E-2-R	314		
	SH9003B5	935X-E-2-R	330		
	SH9004B	94X-E-2-R	347		
	SH9004B5	945X-E-2-R	363		
	SH9005B	95X-E-2-R	379		
⊕		Si6-10	PCS	32	
⊕		J05	PCS	32	



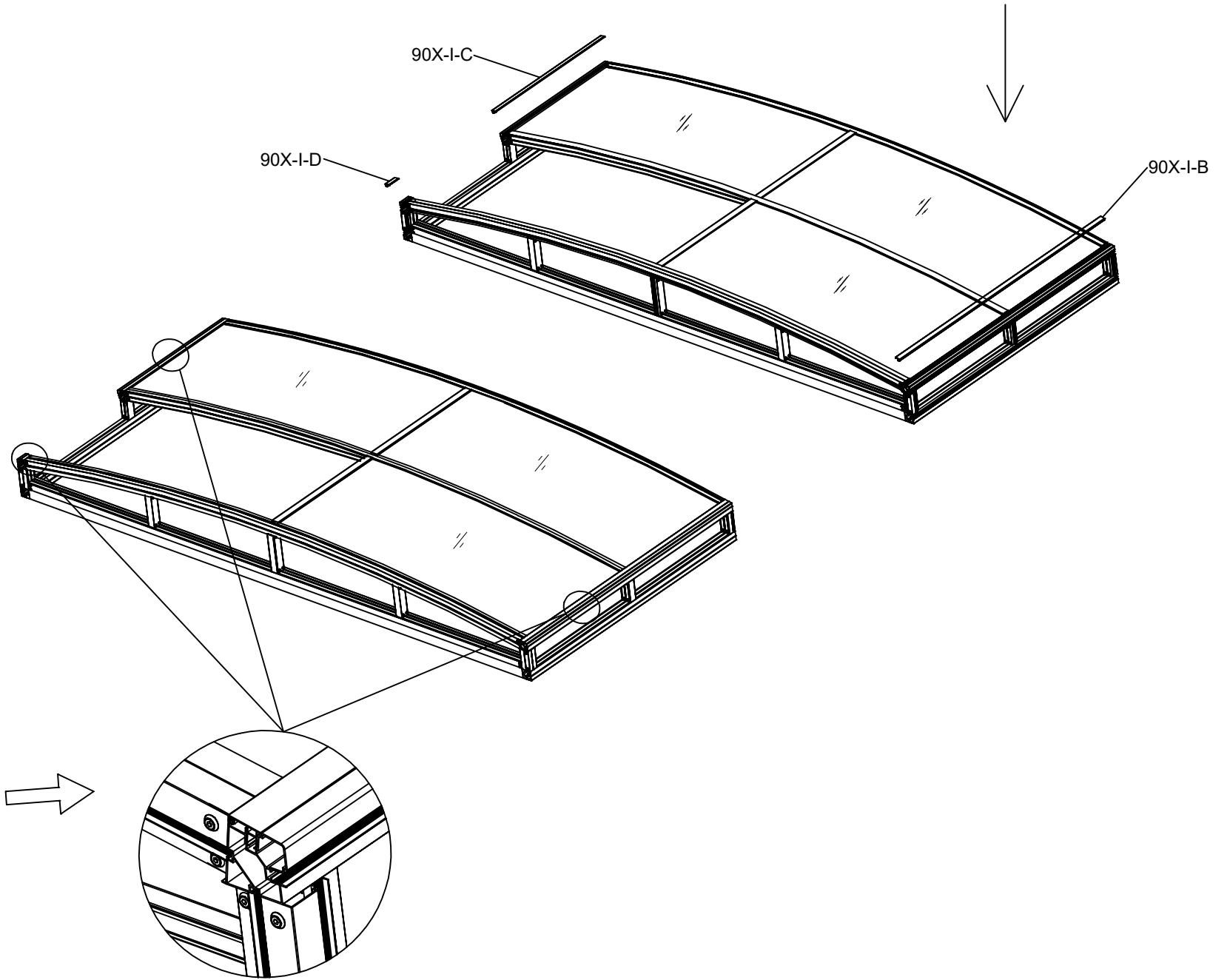
Part	product	NO.	QTY.	code
	SH9002B	1181×1133	3	G04
	SH9002B5	1181×1385		
	SH9003B	1181×1638		
	SH9003B5	1181×1887		
	SH9004B	1181×2138		
	SH9004B5	1181×2390		
	SH9005B	1181×2641		





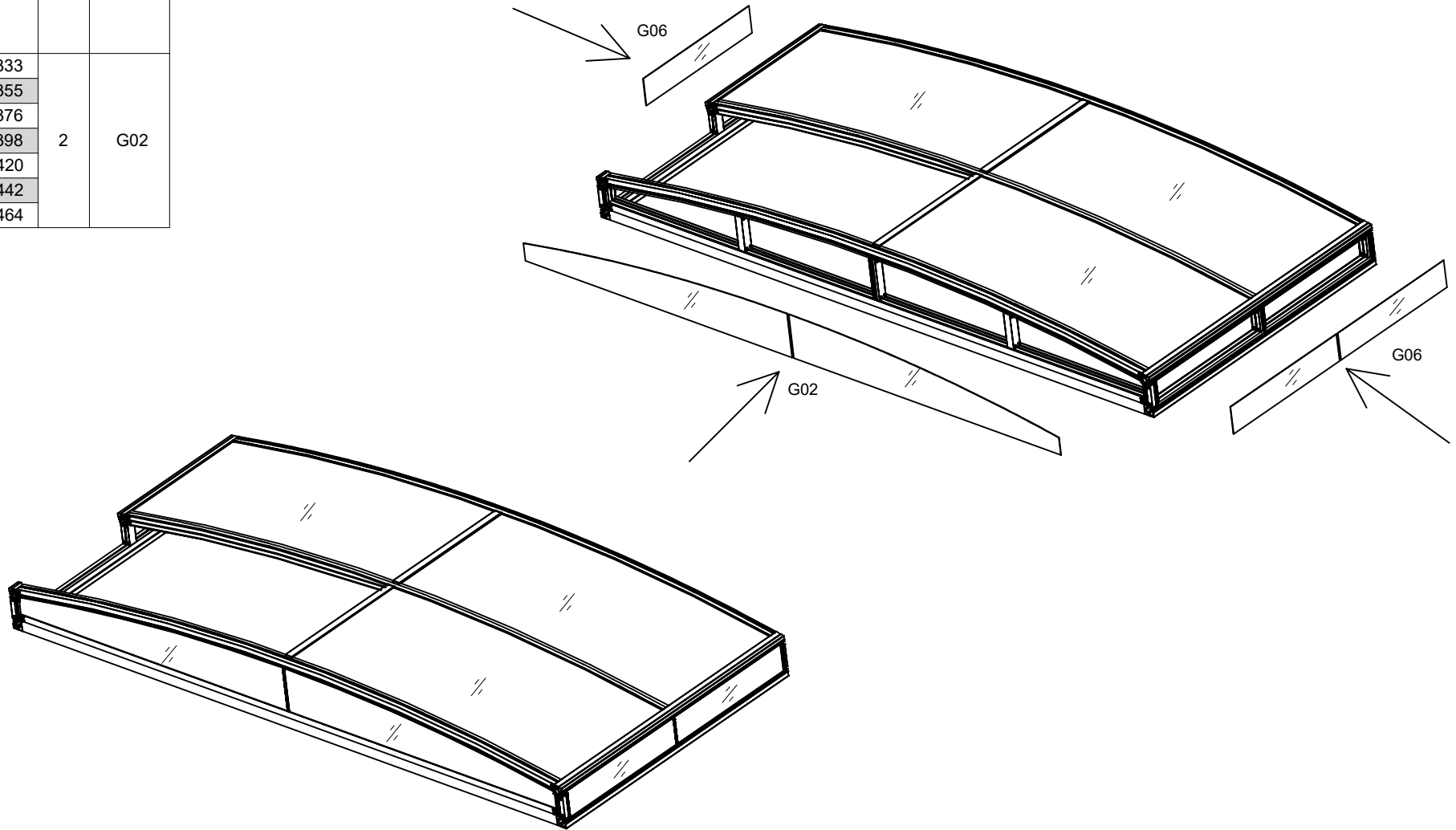
Part	product	NO.	Length(mm)	QTY.	code
"H"	SH9002B	92X-I4-3	2455	2	9X-I4-3
	SH9002B5	925X-I4-3	2957		
	SH9003B	93X-I4-3	3460		
	SH9003B5	935X-I4-3	3962		
	SH9004B	94X-I4-3	4465		
	SH9004B5	945X-I4-3	4967		
	SH9005B	95X-I4-3	5470		
"H"	SH9002B	92X-J4-3	2455	1	9X-J4-3
	SH9002B5	925X-J4-3	2957		
	SH9003B	93X-J4-3	3460		
	SH9003B5	935X-J4-3	3962		
	SH9004B	94X-J4-3	4465		
	SH9004B5	945X-J4-3	4967		
	SH9005B	95X-J4-2	5470		
"H"		90X-J-C	1140	2	








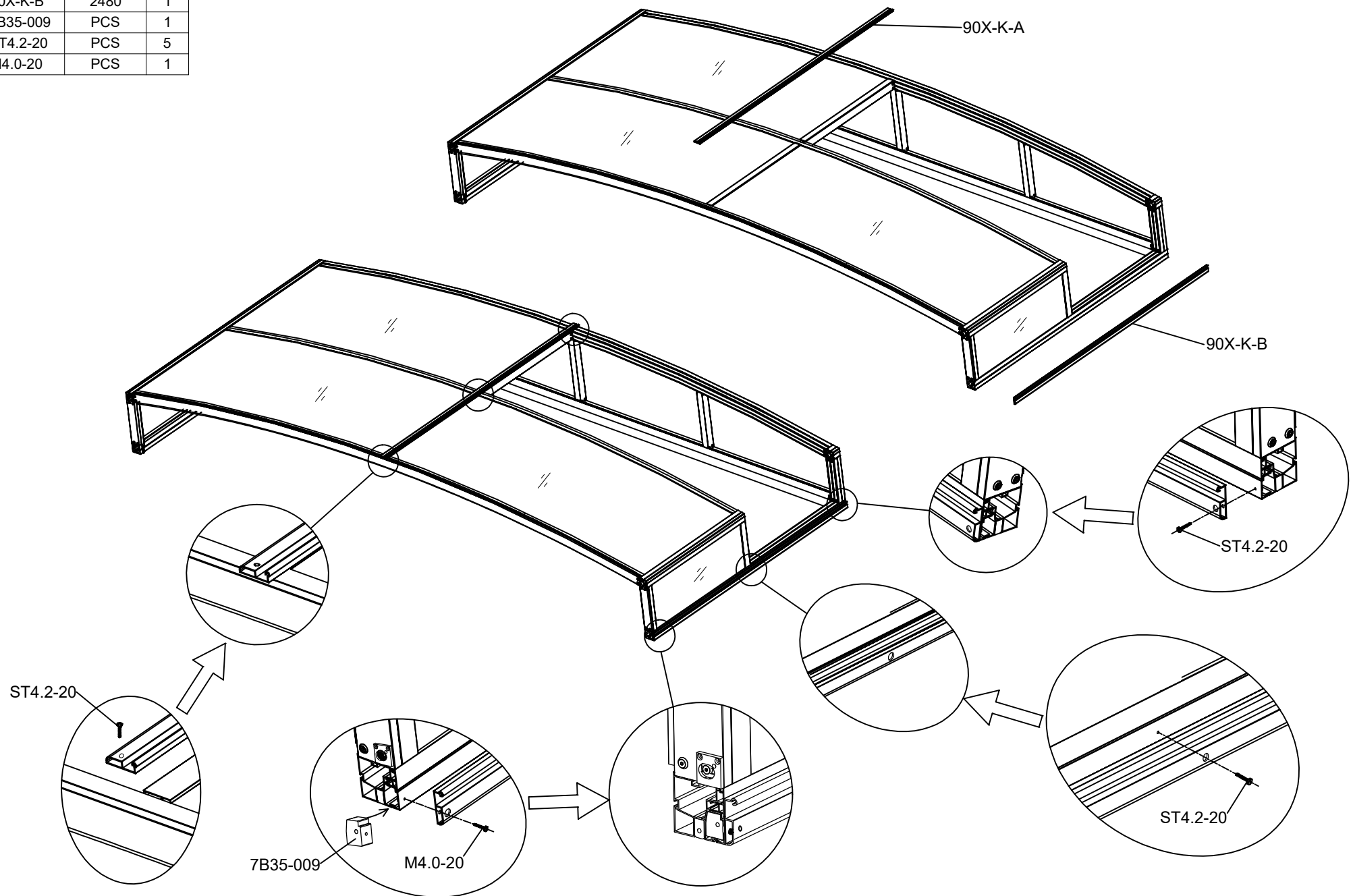
Part	NO.	Length(mm)	QTY.
▼	90X-I-B	2480	1
▼	90X-I-C	1260	1
▼	90X-I-D	80	1

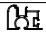
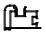
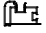
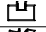



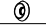


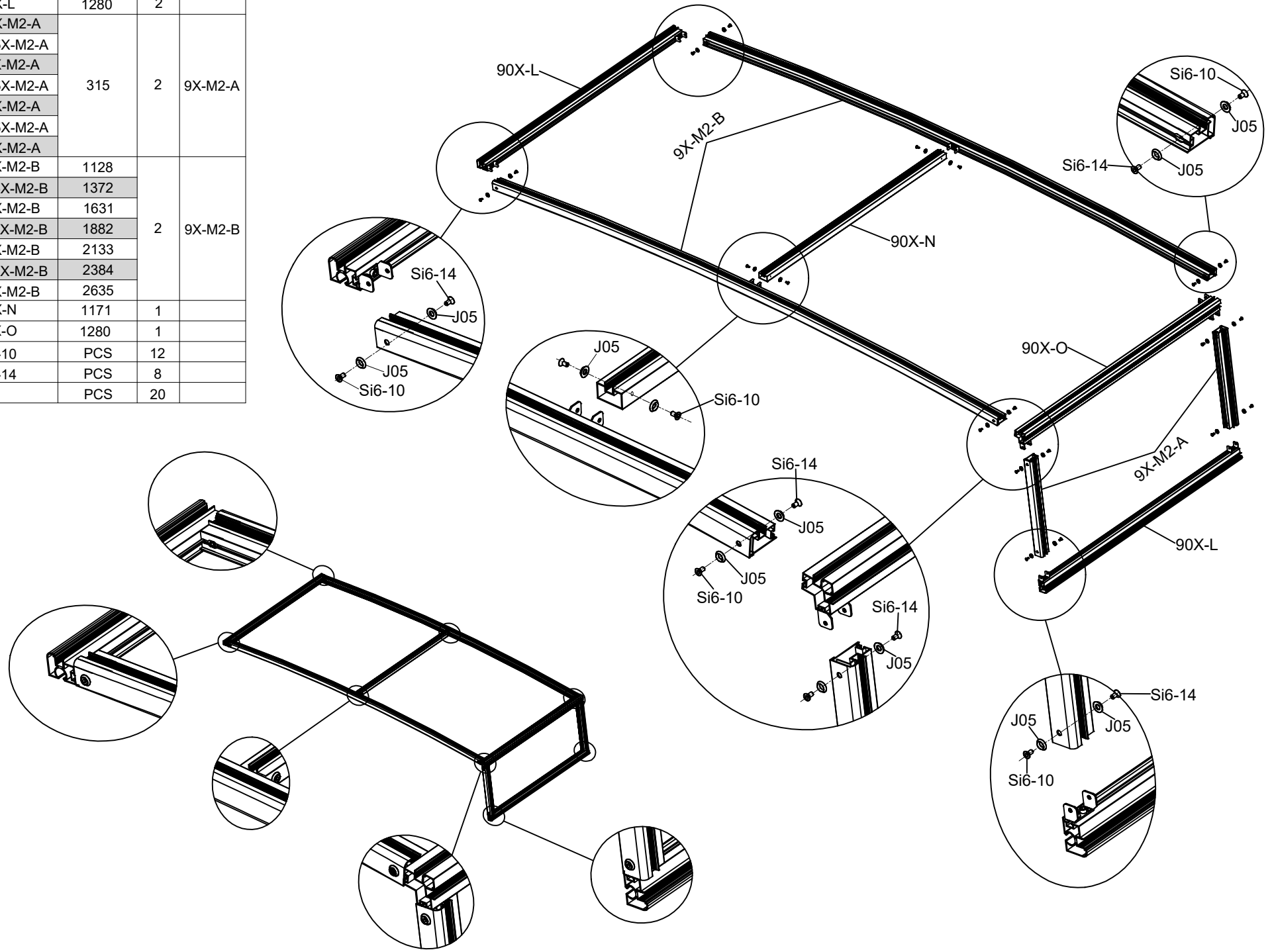
Part	product	NO.	QTY.	code
	SH9002B	1181×390	3	G06
	SH9002B5			
	SH9003B			
	SH9003B5			
	SH9004B			
	SH9004B5			
	SH9005B			
	SH9002B	1117×333	2	G02
	SH9002B5	1367×355		
	SH9003B	1617×376		
	SH9003B5	1867×398		
	SH9004B	2117×420		
	SH9004B5	2367×442		
	SH9005B	2626×464		



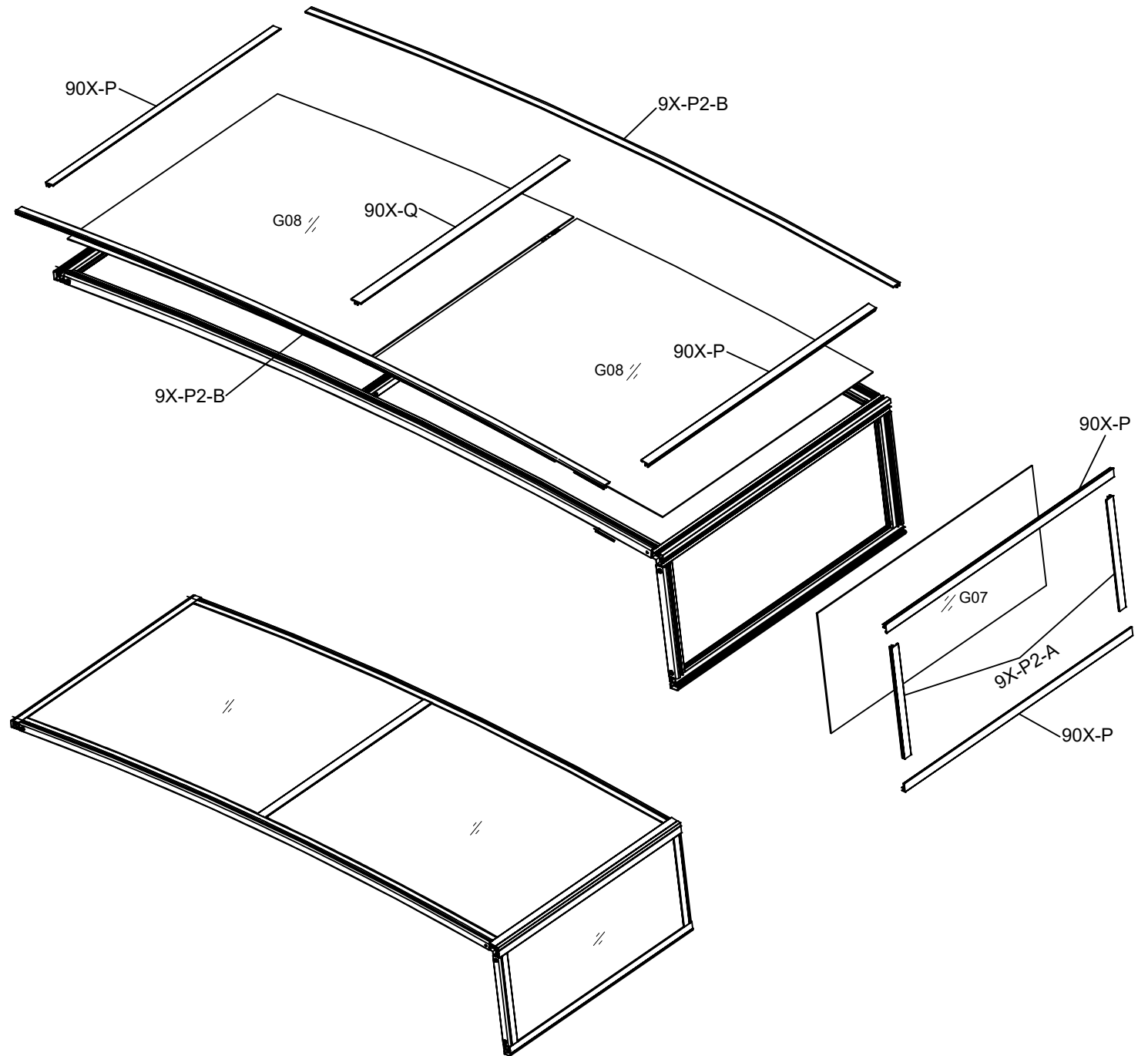
Part	NO.	Length(mm)	QTY.
	90X-K-A	2480	1
	90X-K-B	2480	1
	7B35-009	PCS	1
	ST4.2-20	PCS	5
	M4.0-20	PCS	1






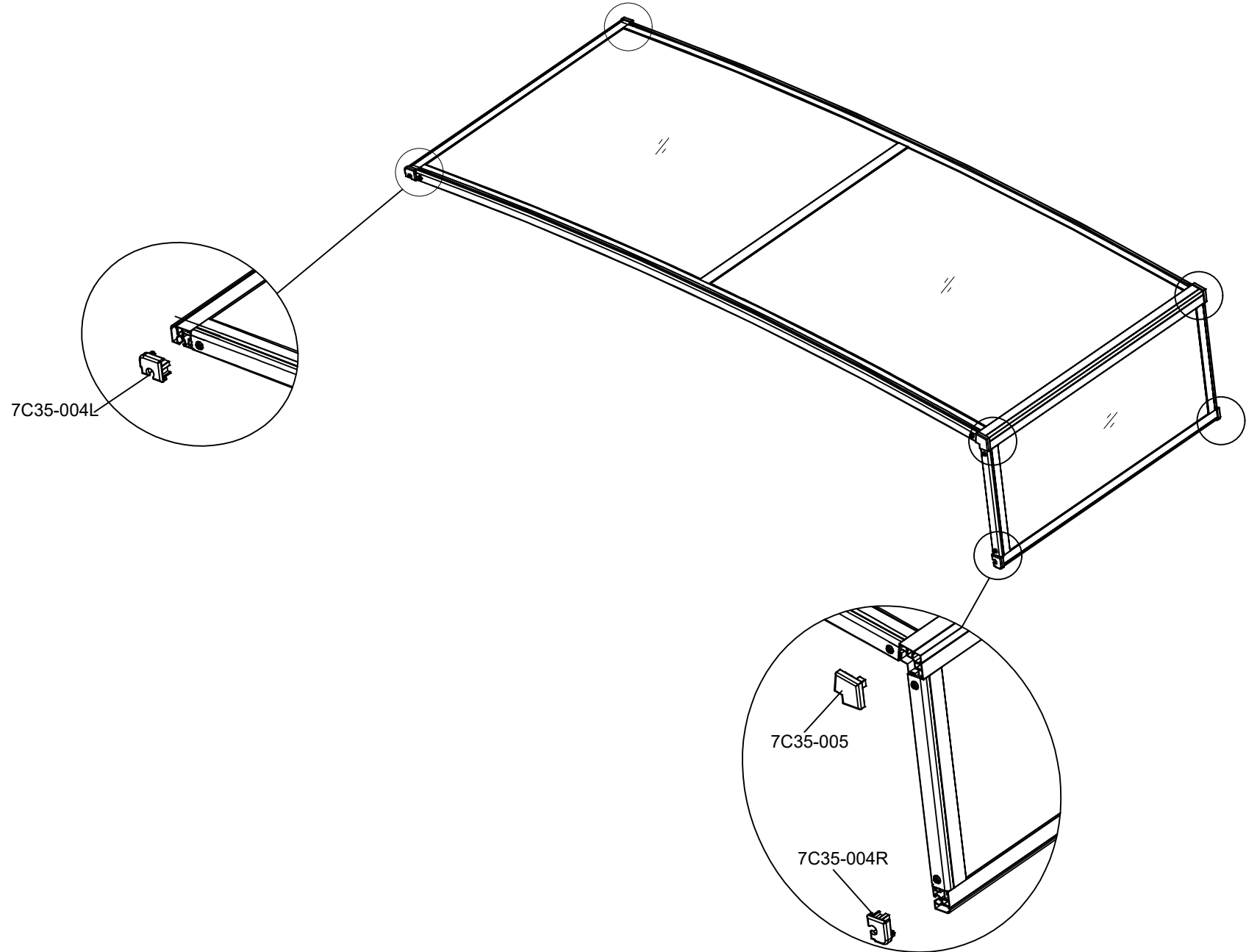
Part	product	NO.	Length(mm)	QTY.	code
		90X-L	1280	2	
	SH9002B	92X-M2-A	315	2	9X-M2-A
	SH9002B5	925X-M2-A			
	SH9003B	93X-M2-A			
	SH9003B5	935X-M2-A			
	SH9004B	94X-M2-A			
	SH9004B5	945X-M2-A			
	SH9005B	95X-M2-A			
	SH9002B	92X-M2-B	1128	2	9X-M2-B
	SH9002B5	925X-M2-B	1372		
	SH9003B	93X-M2-B	1631		
	SH9003B5	935X-M2-B	1882		
	SH9004B	94X-M2-B	2133		
	SH9004B5	945X-M2-B	2384		
		SH9005B	95X-M2-B		
		90X-N	1171	1	
		90X-O	1280	1	
		Si6-10	PCS	12	
		Si6-14	PCS	8	
		J05	PCS	20	







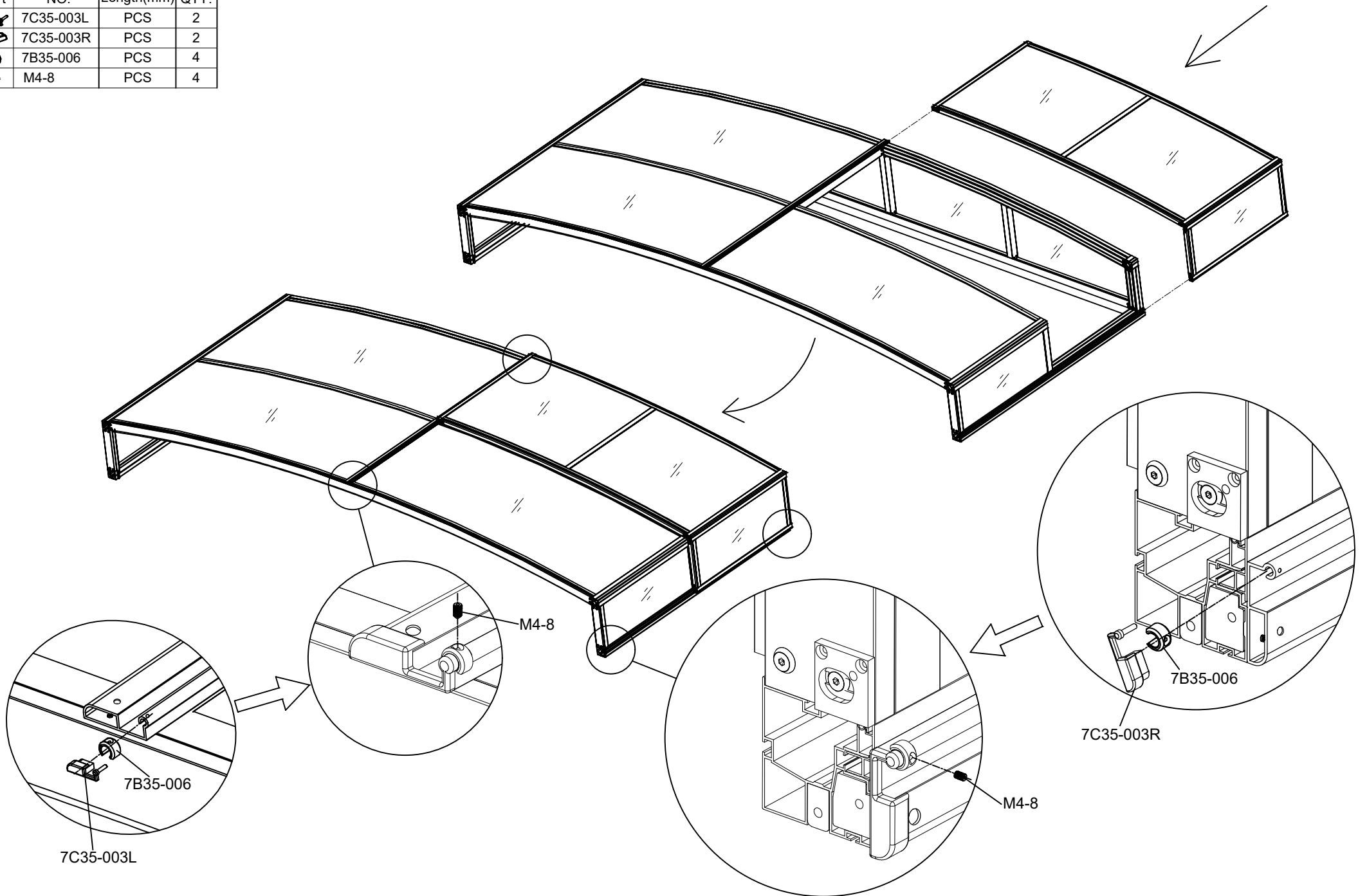
Part	product	NO.	Length(mm)	QTY.	code
▼TT	SH9002B	92X-P2-A	315	2	9X-P2-A
	SH9002B5	925XP2-A			
	SH9003B	93X-P2-A			
	SH9003B5	935X-P2-A			
	SH9004B	94X-P2-A			
	SH9004B5	945X-P2-A			
	SH9005B	95X-P2-A			
▼TT	SH9002B	92X-P2-B	1128	2	9X-P2-B
	SH9002B5	925X-P2-B	1372		
	SH9003B	93X-P2-B	1631		
	SH9003B5	935X-P2-B	1882		
	SH9004B	94X-P2-B	2133		
	SH9004B5	945X-P2-B	2384		
	SH9005B	95X-P2-B	2635		
☐	SH9002B	1208×346		1	G07
	SH9002B5				
	SH9003B				
	SH9003B5				
	SH9004B				
	SH9004B5				
	SH9005B				
☐	SH9002B	1208×572		2	G08
	SH9002B5	1208×694			
	SH9003B	1208×823			
	SH9003B5	1208×949			
	SH9004B	1208×1075			
	SH9004B5	1208×1200			
	SH9005B	1208×1326			
▼TT		90X-P	1280	4	
▼TT▼		90X-Q	1171	1	










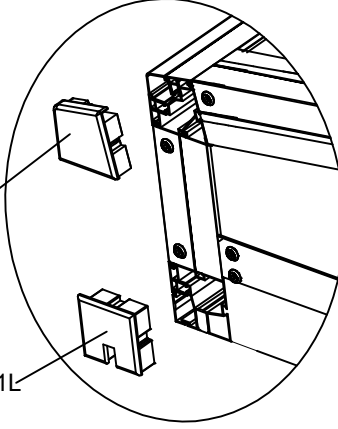
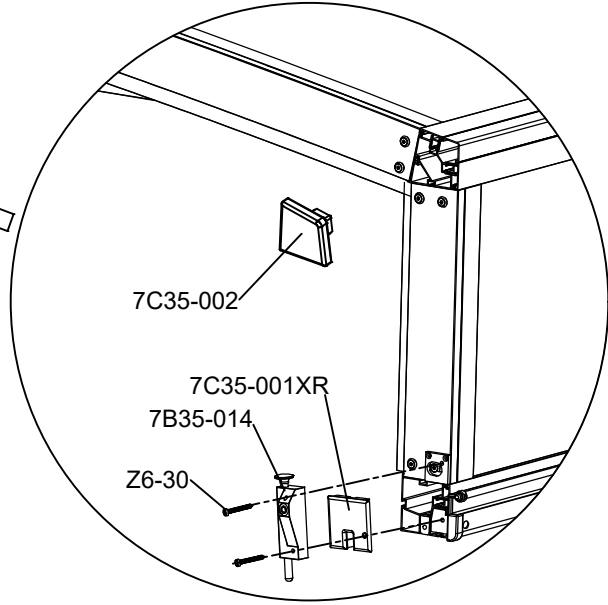
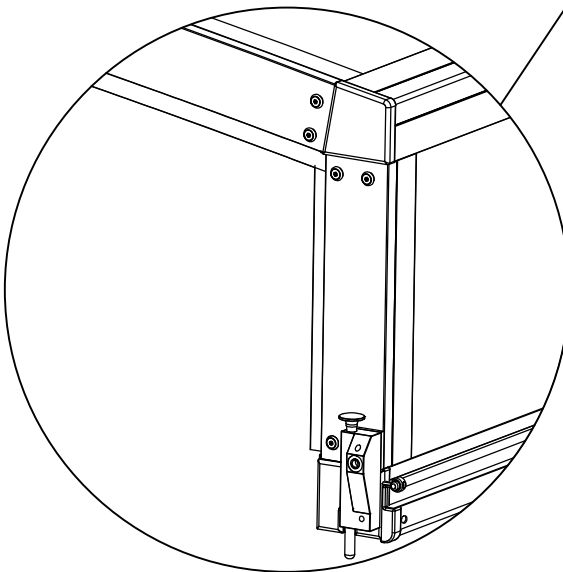
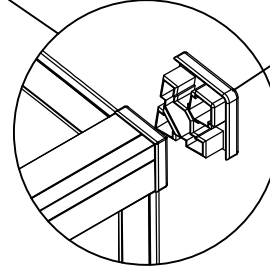
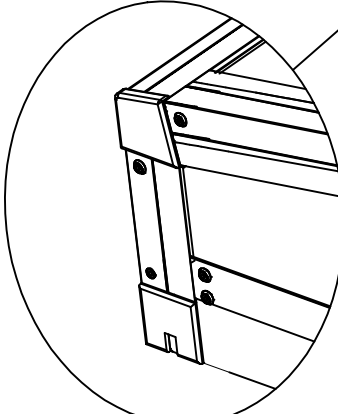
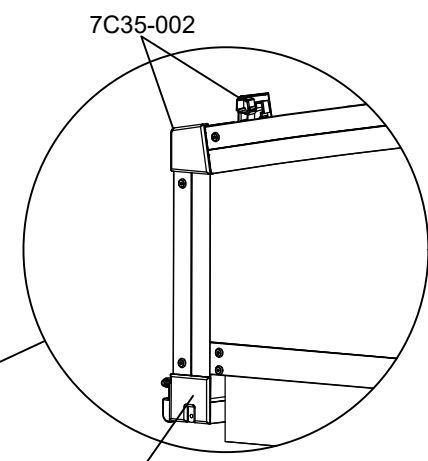
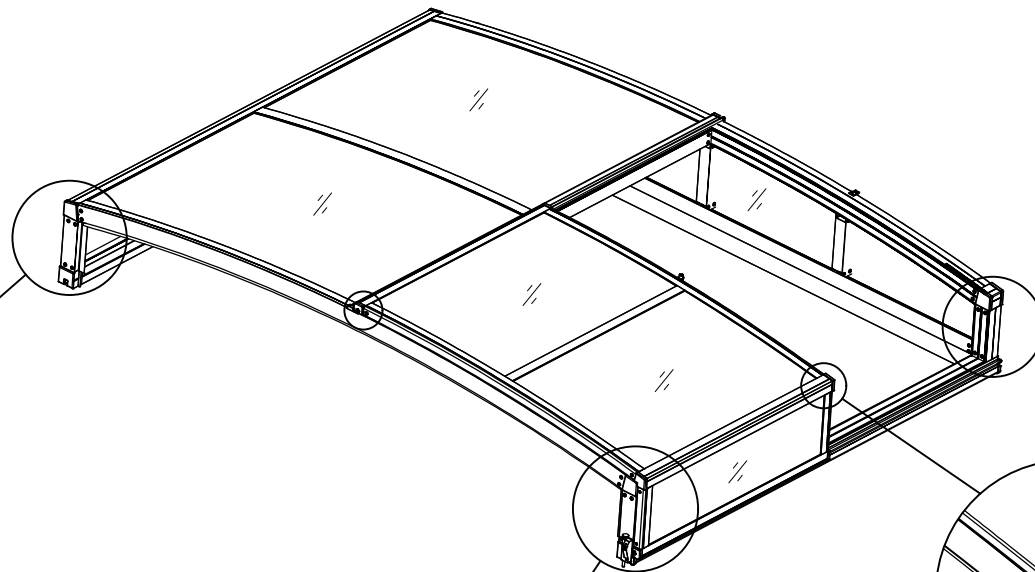
Part	NO.	Length(mm)	QTY.
	7C35-004L	PCS	2
	7C35-004R	PCS	2
	7C35-005	PCS	2






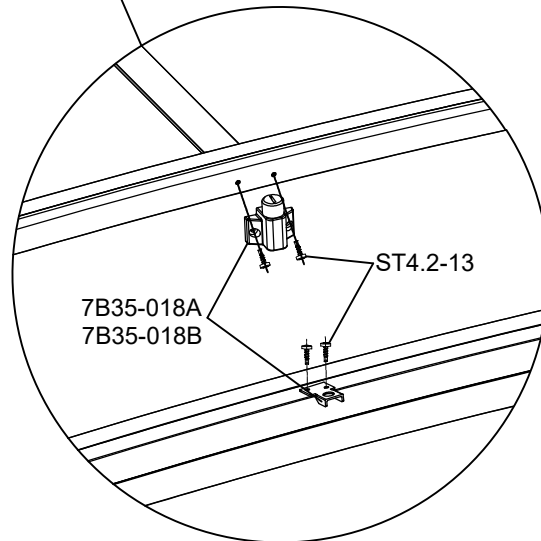
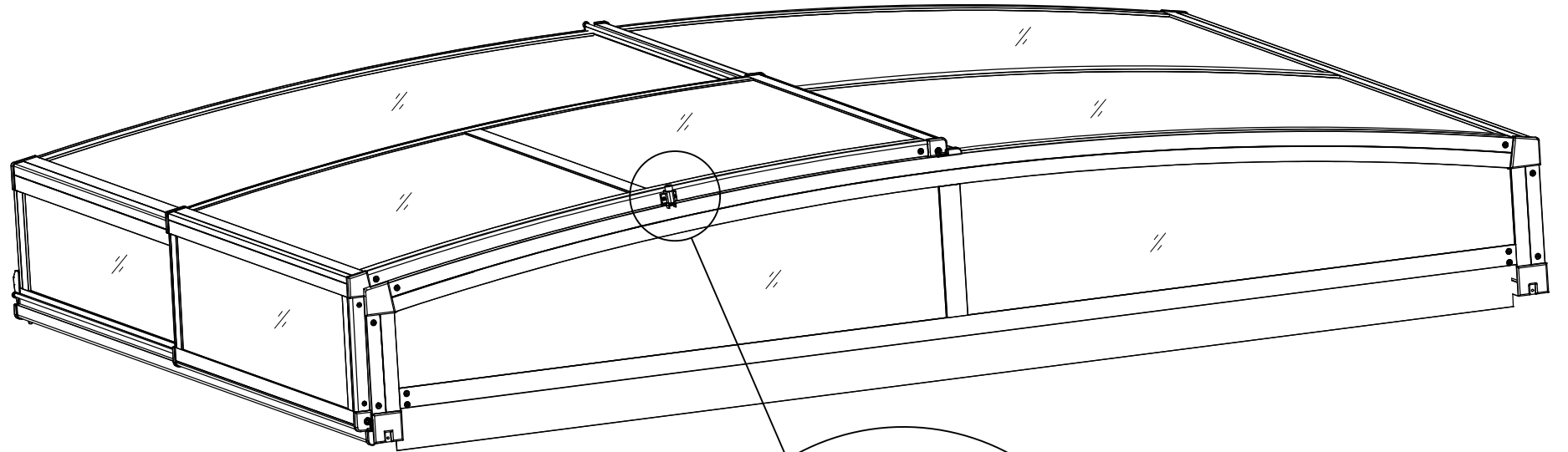
Part	NO.	Length(mm)	QTY.
	7C35-003L	PCS	2
	7C35-003R	PCS	2
	7B35-006	PCS	4
	M4-8	PCS	4

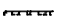
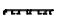


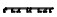
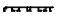




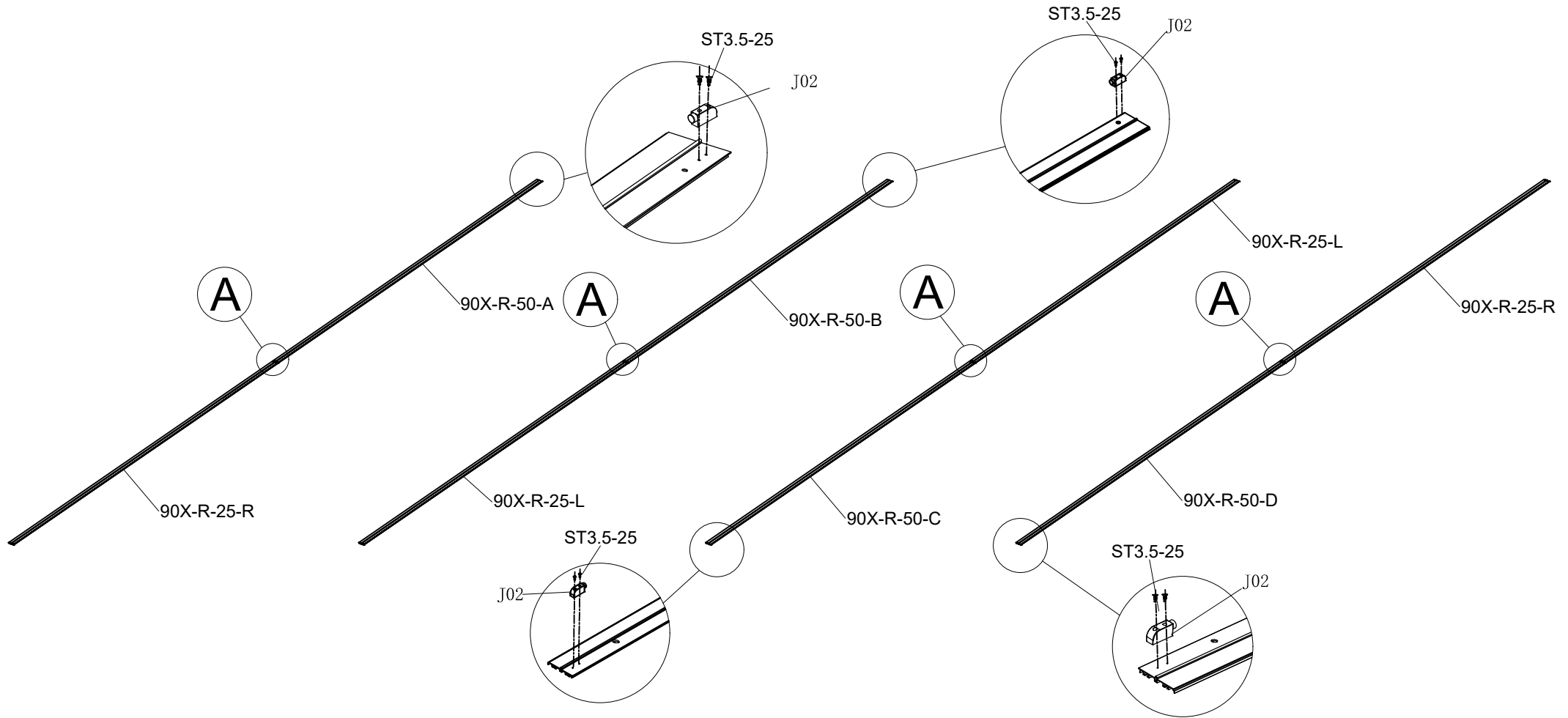
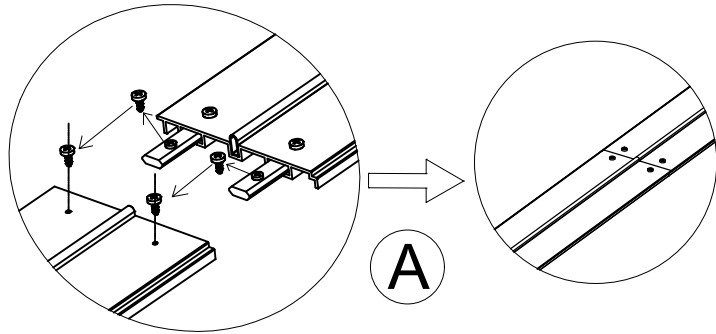
Part	NO.	Length(mm)	QTY.
	7C35-001L	PCS	1
	7C35-001R	PCS	1
	7C35-001XL	PCS	1
	7C35-001XR	PCS	1
	7C35-002	PCS	6
	7B35-014	PCS	1
	Z6-30	PCS	2






Part	NO.	Length(mm)	QTY.
	7B35-018A	PCS	1
	7B35-018B	PCS	1
	ST4.2-13	PCS	4

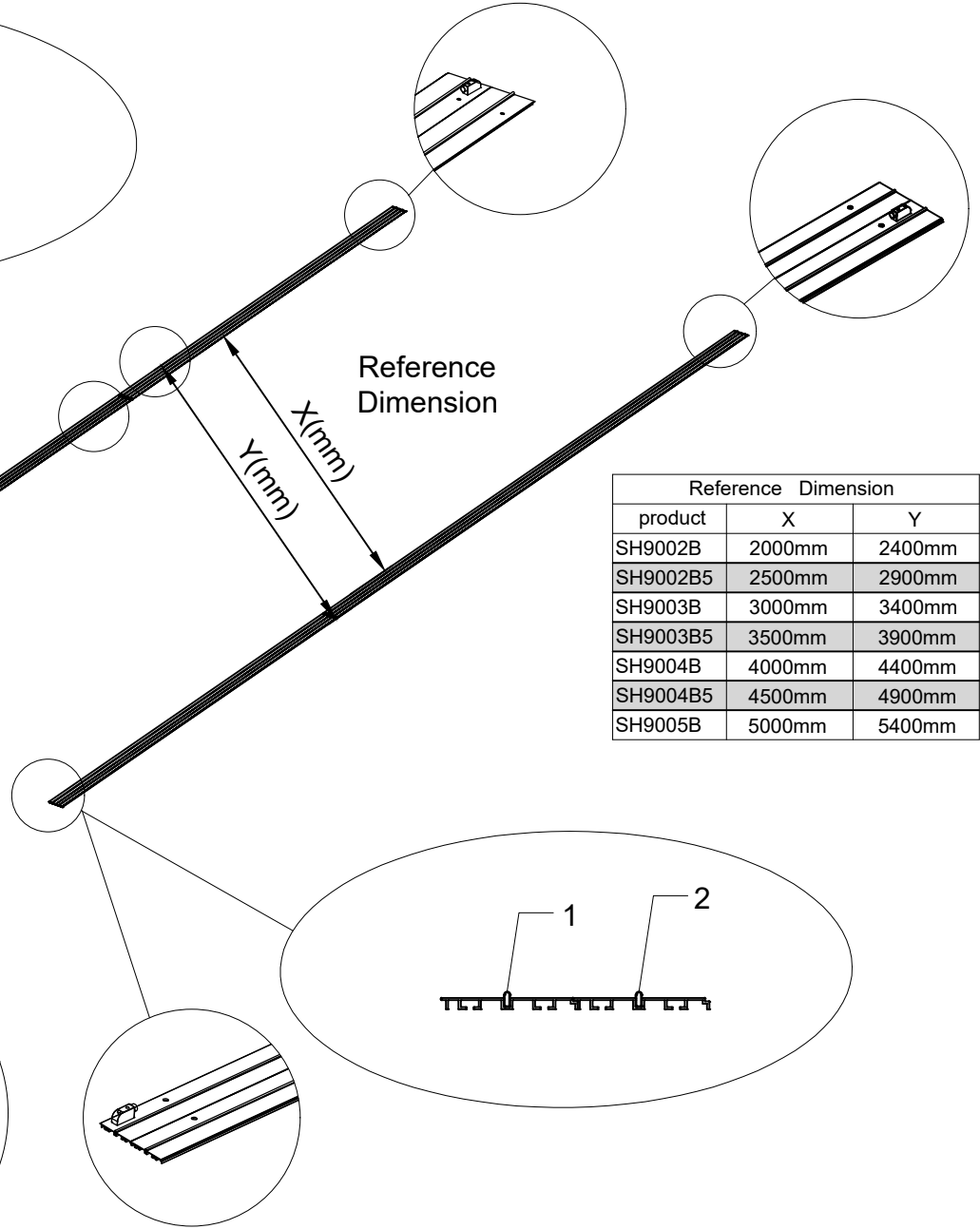
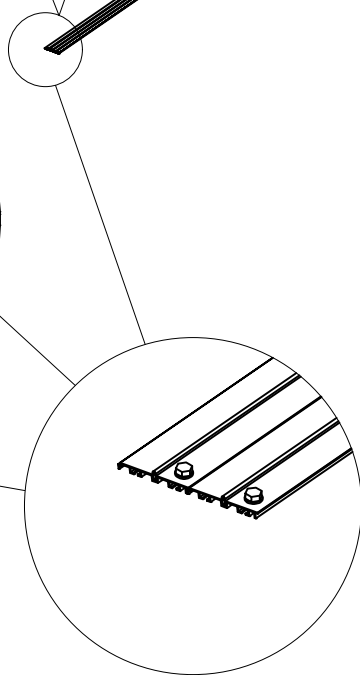
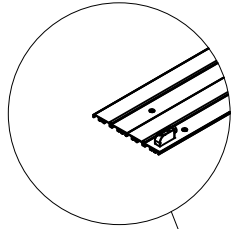
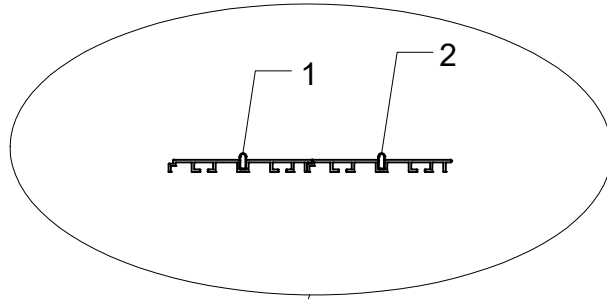
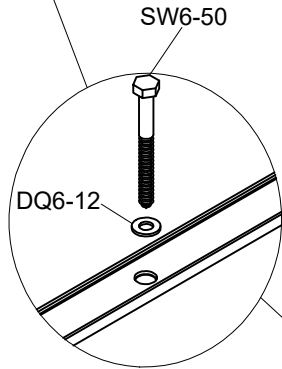
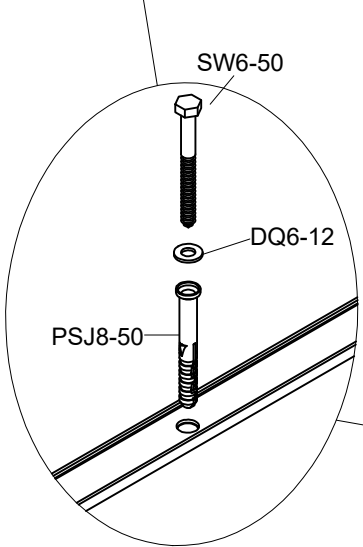
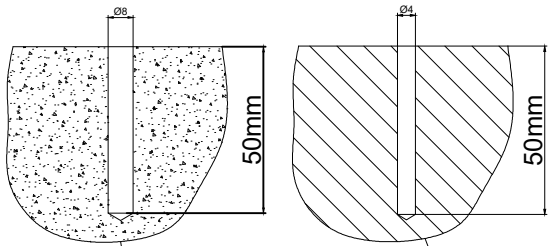


Part	NO.	Length(mm)	QTY.
	90X-R-25-L	2500	2
	90X-R-25-R	2500	2
	90X-R-50-A	5000	1
	90X-R-50-B	5000	1
	90X-R-50-C	5000	1
	90X-R-50-D	5000	1
	J02	PCS	4
	ST3.5-25	PCS	8

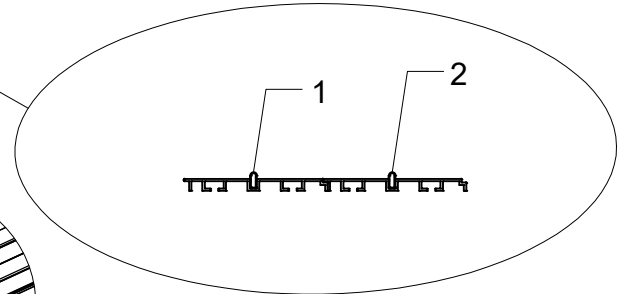


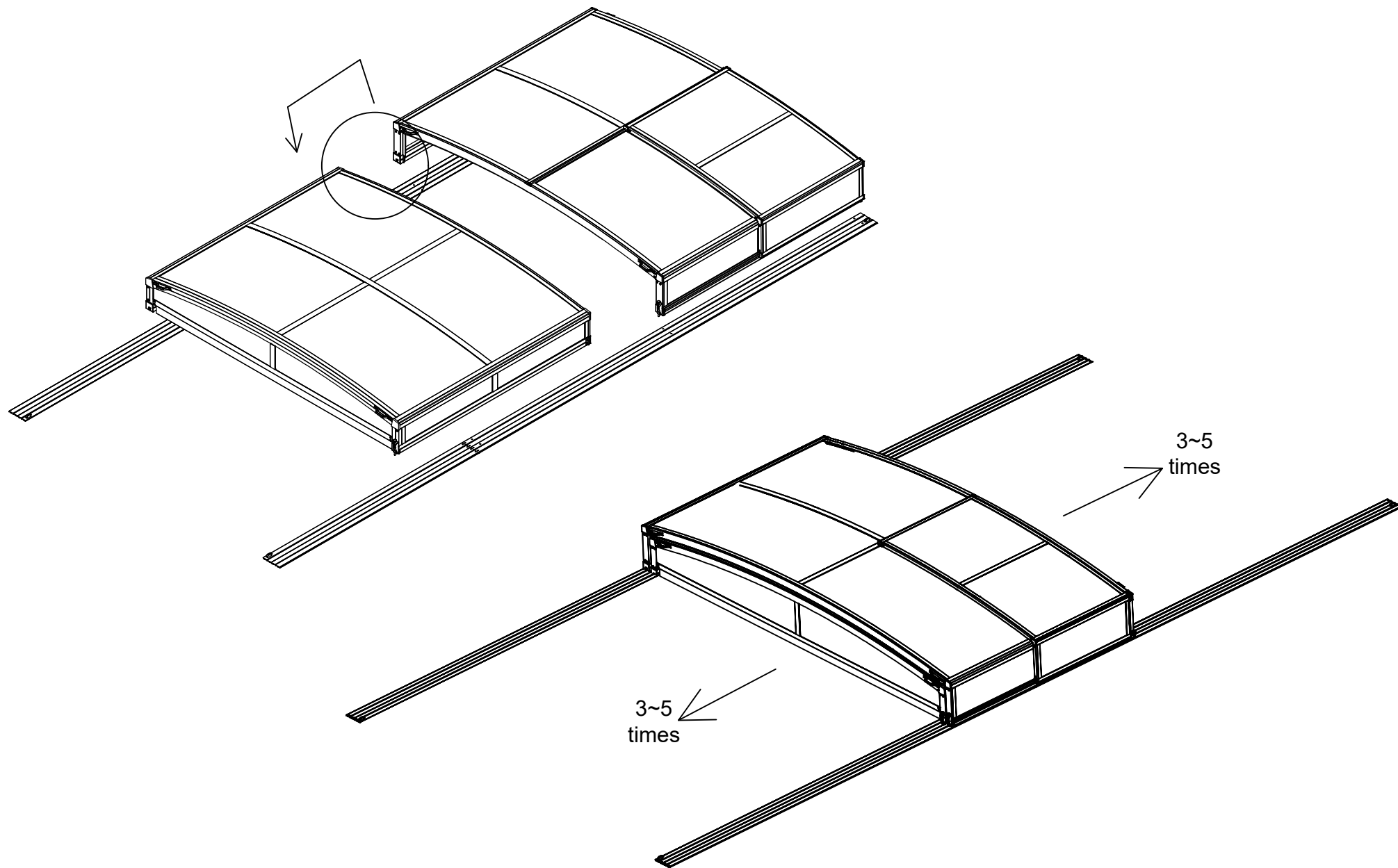
Part	NO.	Length(mm)	QTY.
	PSJ8-50	PCS	10
	DQ6-12	PCS	10
	SW6-50	PCS	10




For concrete or For wood



Reference Dimension		
product	X	Y
SH9002B	2000mm	2400mm
SH9002B5	2500mm	2900mm
SH9003B	3000mm	3400mm
SH9003B5	3500mm	3900mm
SH9004B	4000mm	4400mm
SH9004B5	4500mm	4900mm
SH9005B	5000mm	5400mm



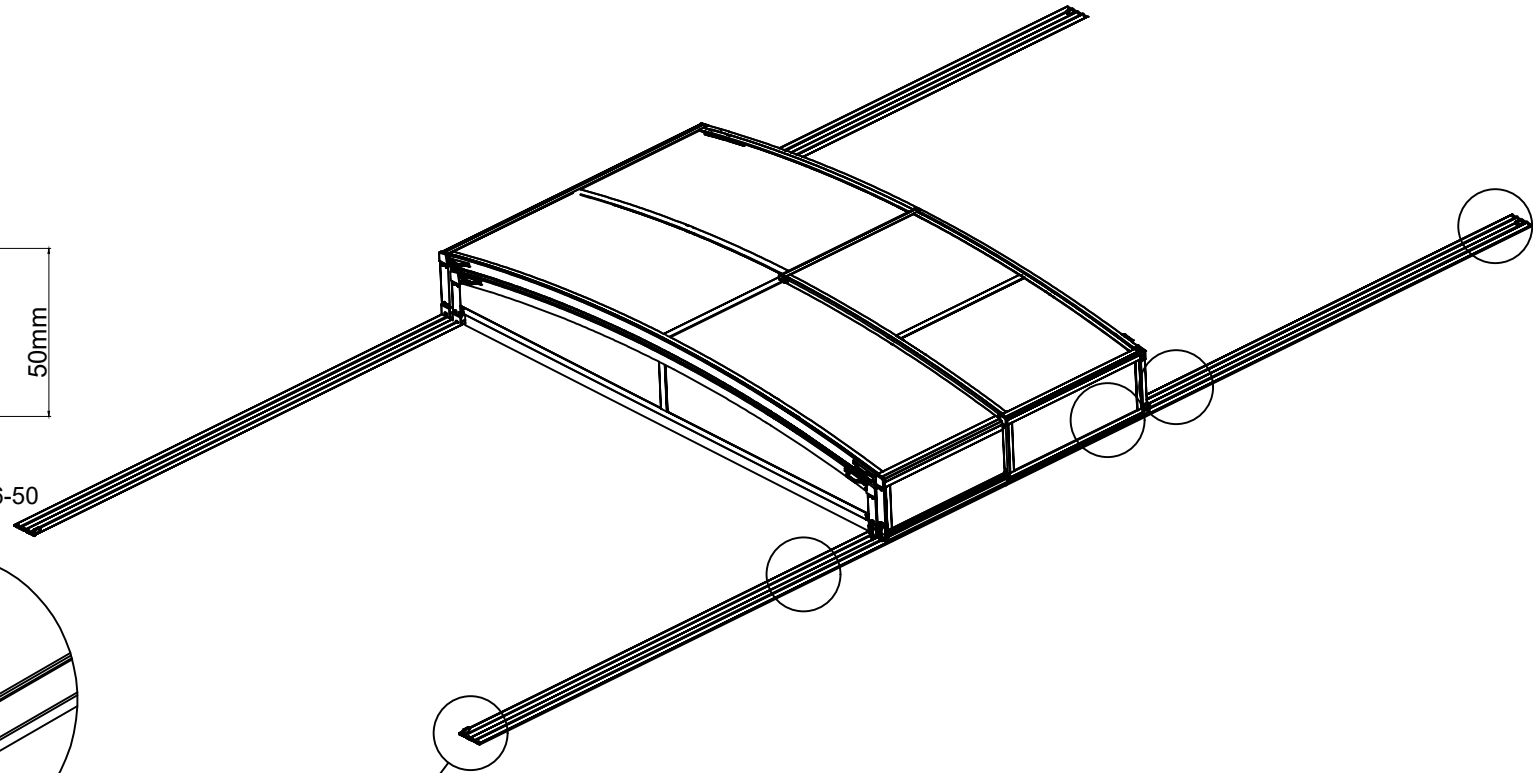
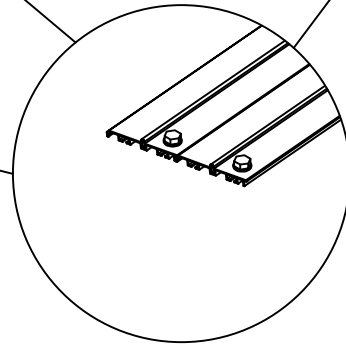
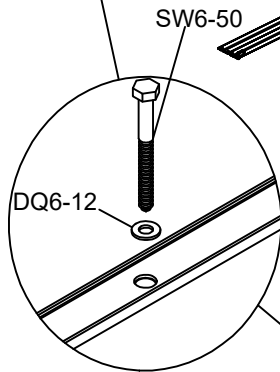
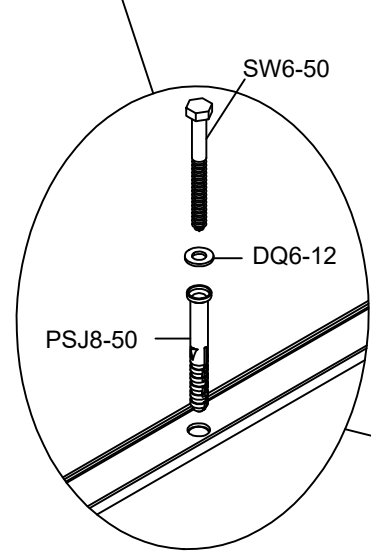
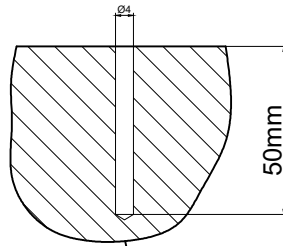
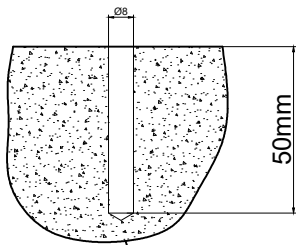




Part	NO.	Length(mm)	QTY.
	PSJ8-50	PCS	10
	DQ6-12	PCS	10
	SW6-50	PCS	10

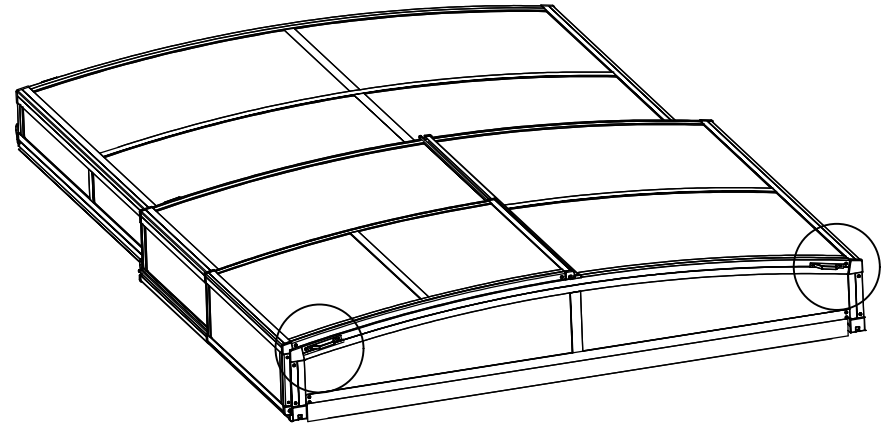
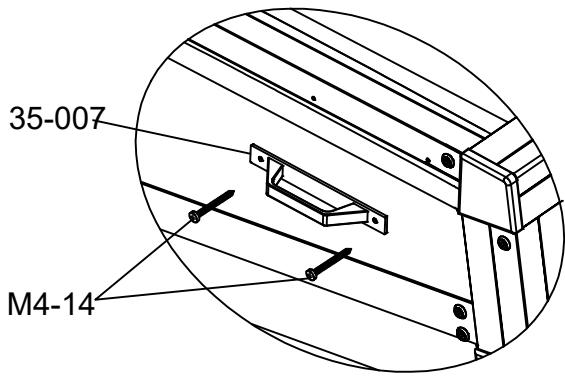
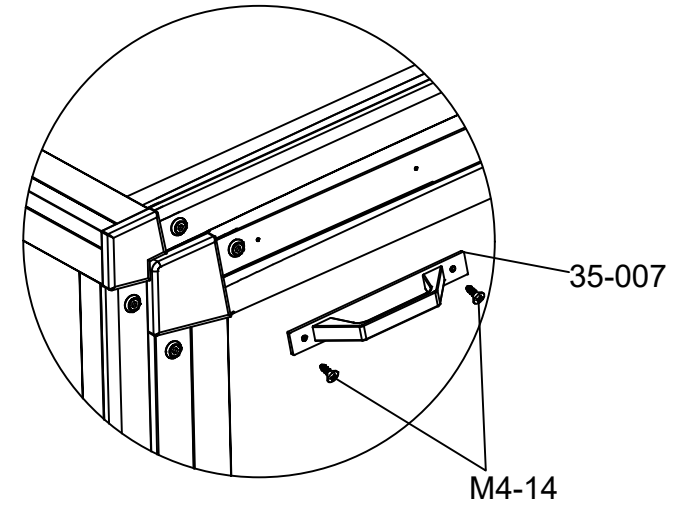
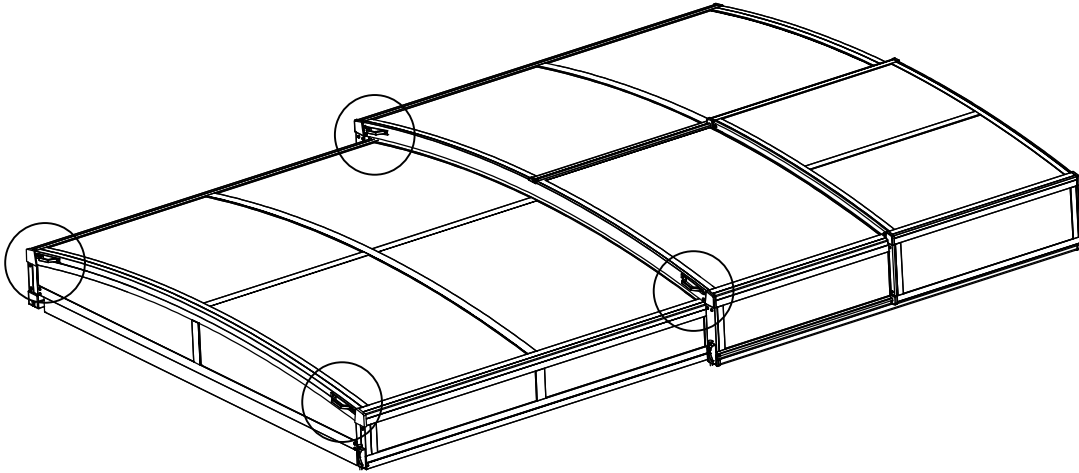
For Concrete

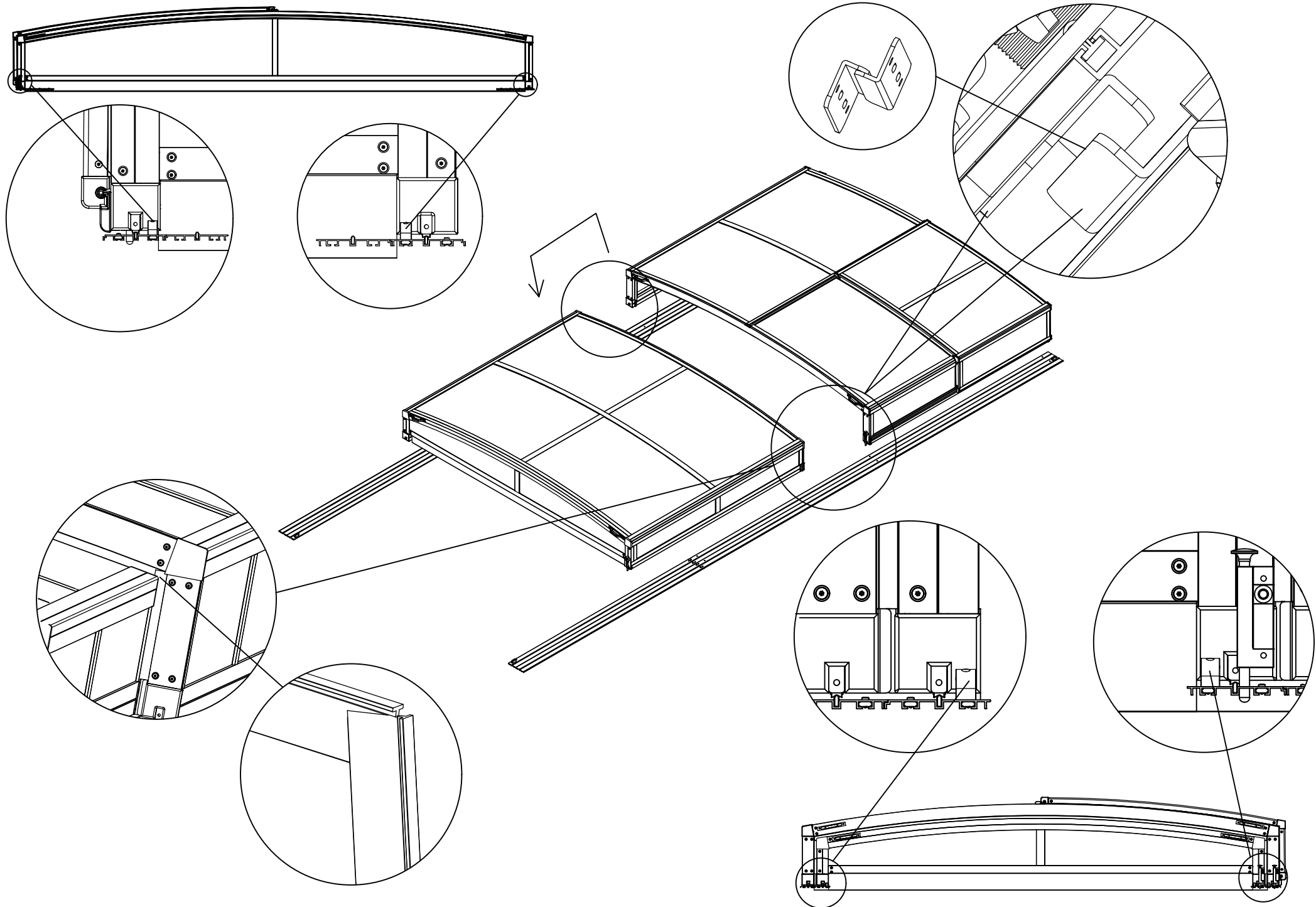
Or

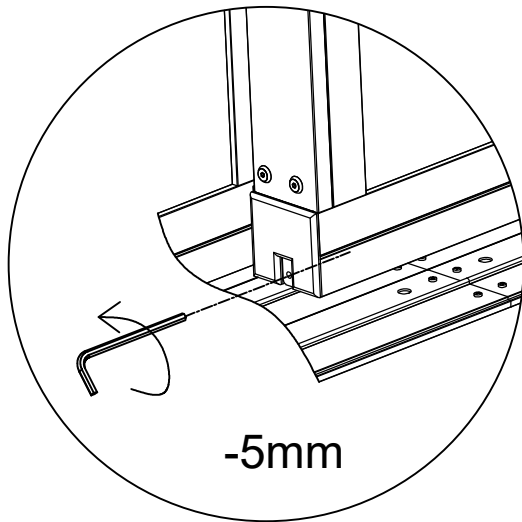
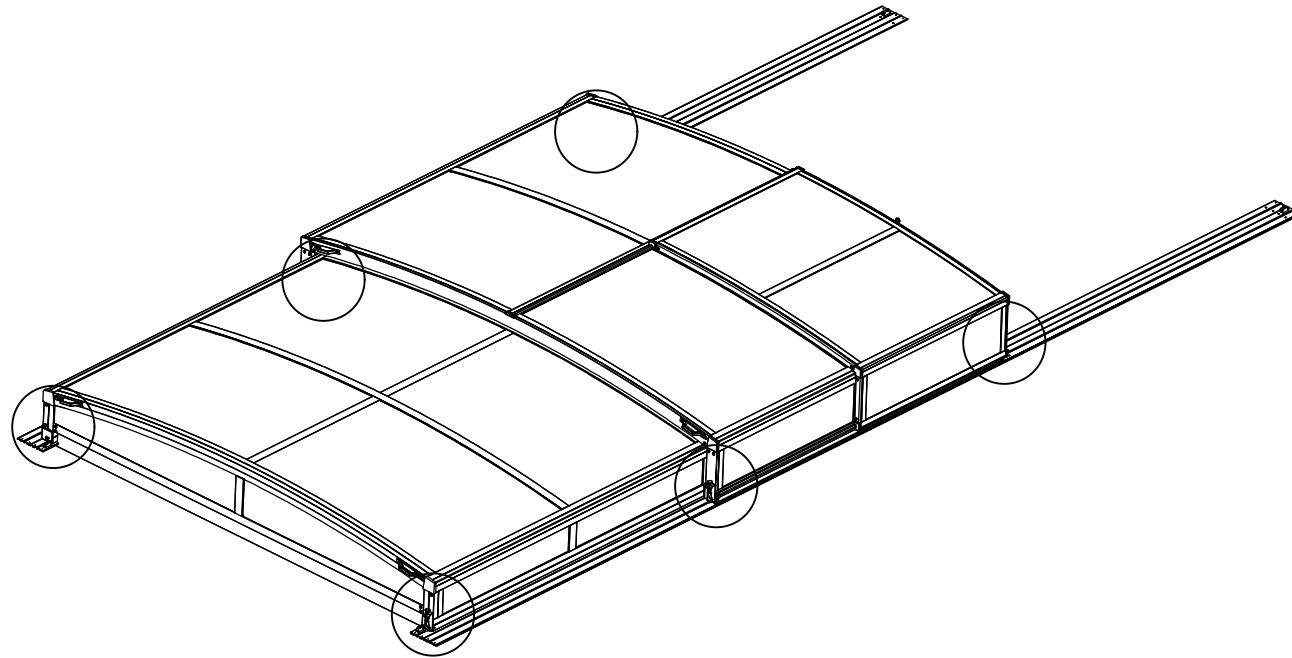
For Wood



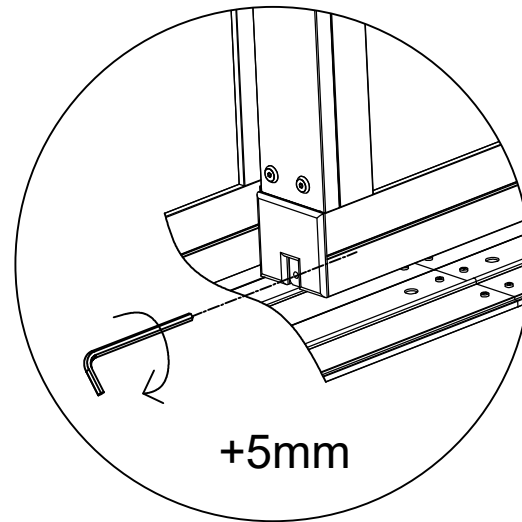
Part	NO.	QTY.	Length(mm)
	7B35-007	6	PCS
	M4-14	12	PCS







-5mm



+5mm

